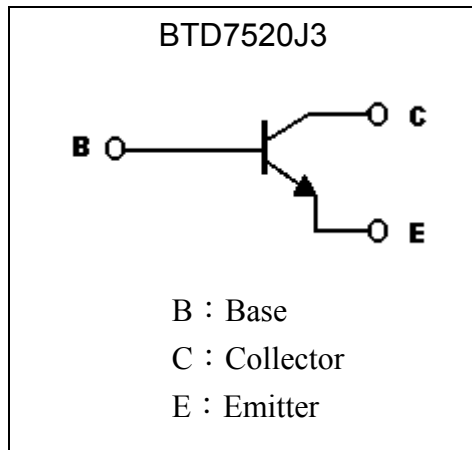
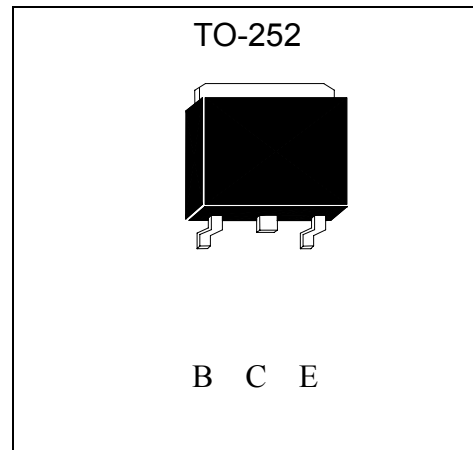


High Voltage NPN Epitaxial Planar Transistor

BTD7520J3

Features

- High BV_{CEO}
- Very high current gain
- Pb-free package

Symbol

Outline

Absolute Maximum Ratings ($T_a=25^\circ\text{C}$)

Parameter	Symbol	Limits	Unit
Collector-Base Voltage	V_{CBO}	150	V
Collector-Emitter Voltage	V_{CEO}	150	V
Emitter-Base Voltage	V_{EBO}	6	V
Collector Current (DC)	I_C	10	A
Collector Current (Pulse)	I_{CP}	20 (Note 1)	
Power Dissipation @ $T_A=25^\circ\text{C}$	P_D	1.75 (Note 2)	W
Power Dissipation @ $T_C=25^\circ\text{C}$	P_D	20	
Thermal Resistance, Junction to Ambient	$R_{\theta JA}$	71.4 (Note 2)	$^\circ\text{C}/\text{W}$
Thermal Resistance, Junction to Case	$R_{\theta JC}$	3.125	$^\circ\text{C}/\text{W}$
Junction Temperature	T_j	150	$^\circ\text{C}$
Storage Temperature	T_{stg}	-55~+150	$^\circ\text{C}$

Note : 1. Single Pulse , $P_w \leq 380\mu\text{s}$, $Duty \leq 2\%$.
 2. When mounted on a PCB with the minimum pad size.

**Characteristics (Ta=25°C)**

Symbol	Min.	Typ.	Max.	Unit	Test Conditions
BV _{CB0}	150	-	-	V	I _C =1mA, I _E =0
BV _{CEO}	150	-	-	V	I _C =10mA, I _B =0
BV _{EBO}	6	-	-	V	I _C =100μA, I _C =0
I _{CB0}	-	-	10	μA	V _{CB} =150V, I _E =0
I _{EBO}	-	-	10	μA	V _{EB} =6V, I _C =0
*V _{CE(sat)}	-	-	2.5	V	I _C =5A, I _B =50mA
*V _{BE(sat)}	-	-	1.2	V	I _C =5A, I _B =10mA
*h _{FE}	800	-	-	-	V _{CE} =5V, I _C =1A
*h _{FE}	200	-	-	-	V _{CE} =5V, I _C =5A
Cob	-	130	-	pF	V _{CB} =10V, f=1MHz

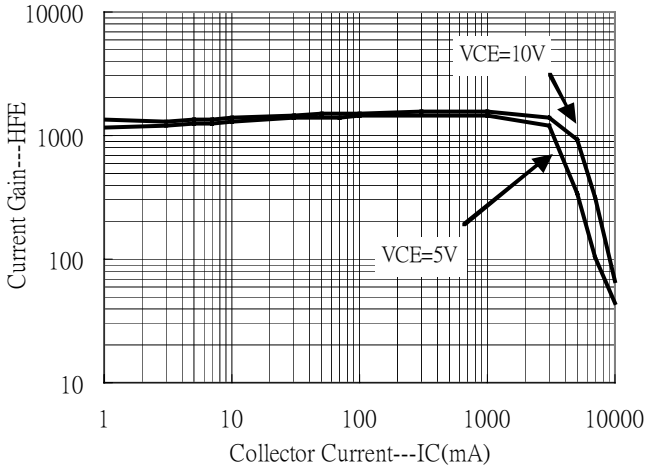
*Pulse Test : Pulse Width ≤380μs, Duty Cycle≤2%

Ordering Information

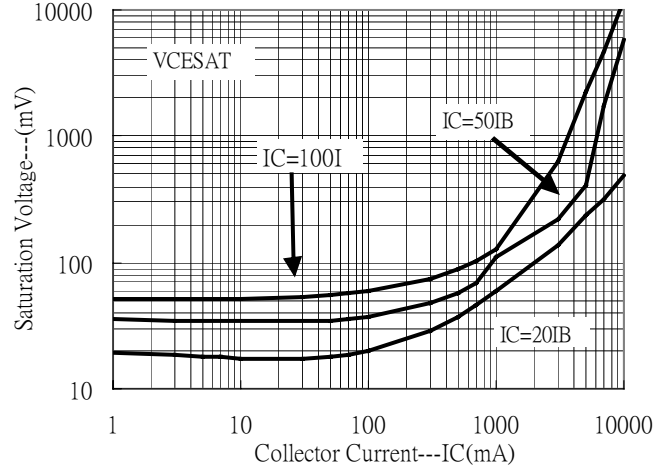
Device	Package	Shipping	Marking
BTD7520J3	TO-252 (Pb-free)	2500 pcs / Tape & Reel	D7520

Characteristic Curves

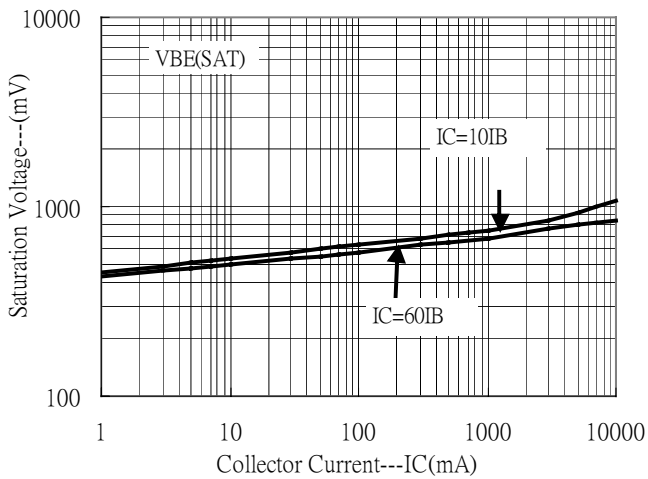
Current Gain vs Collector Current



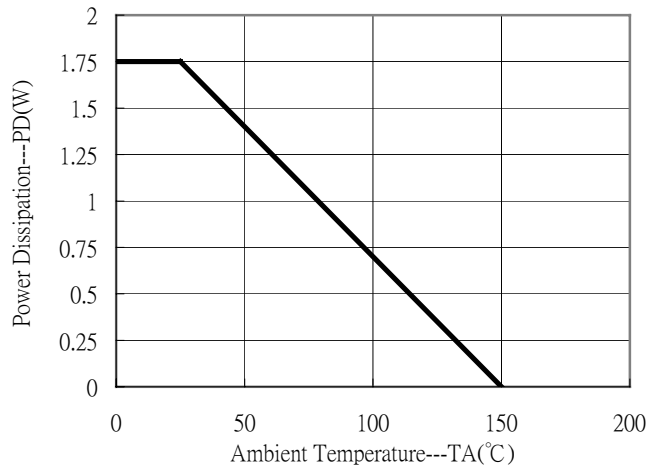
Saturation Voltage vs Collector Current



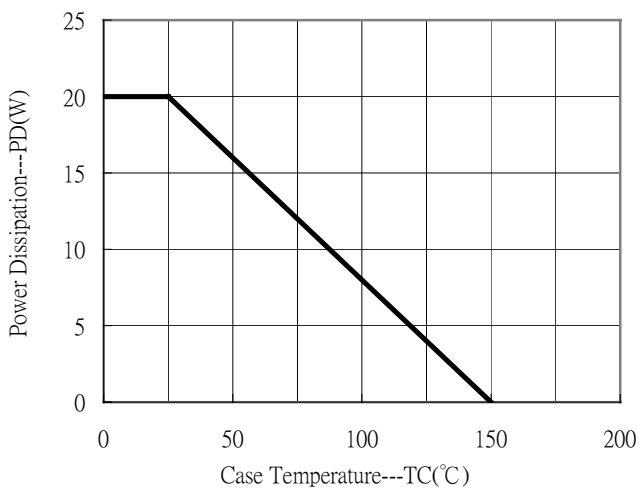
Saturation Voltage vs Collector Current



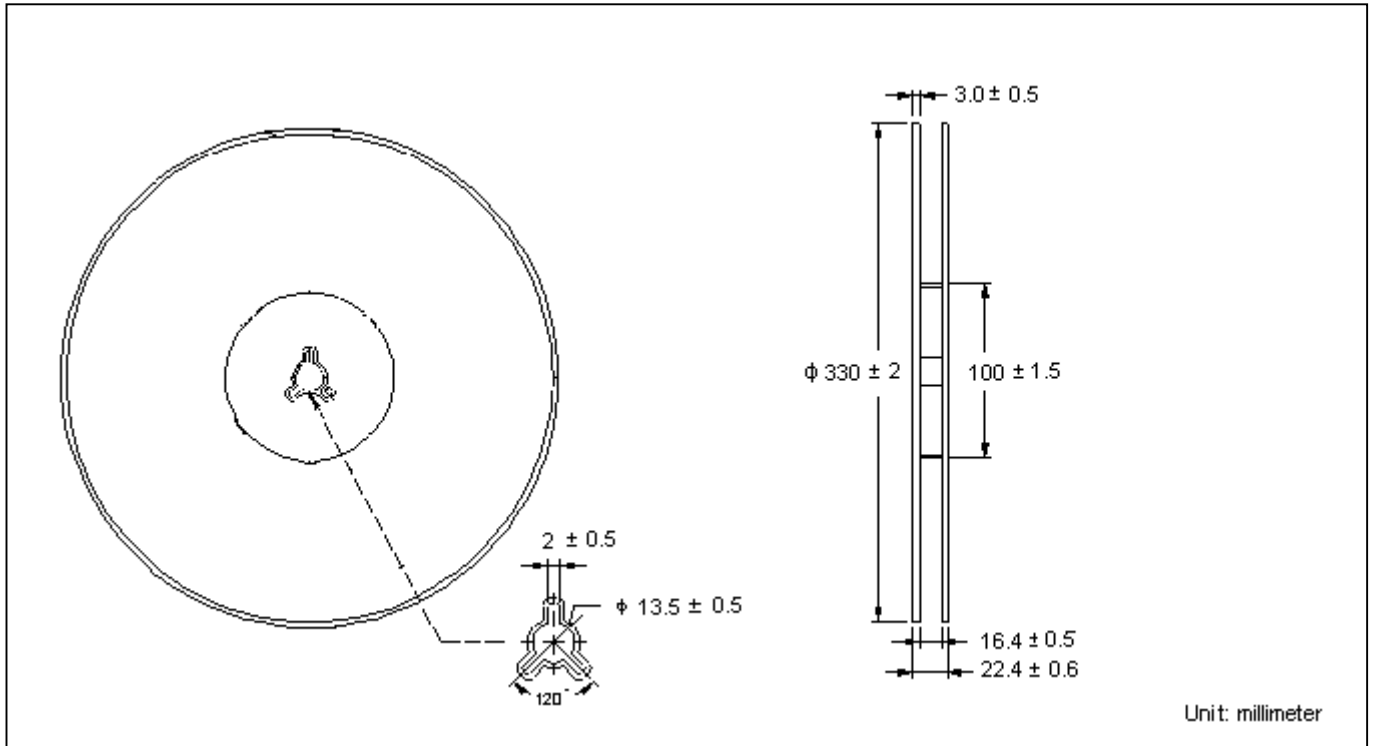
Power Derating Curve



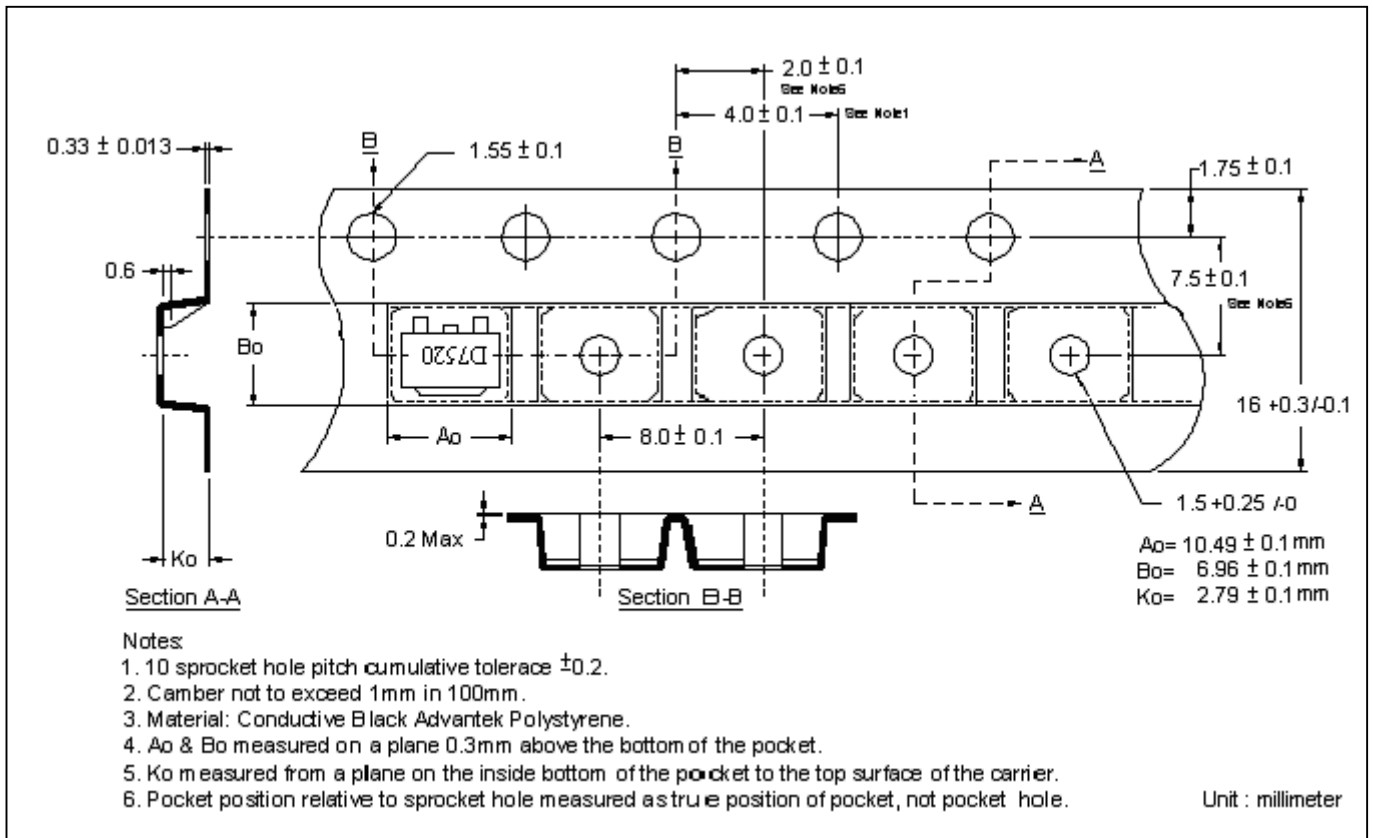
Power Derating Curve



Reel Dimension

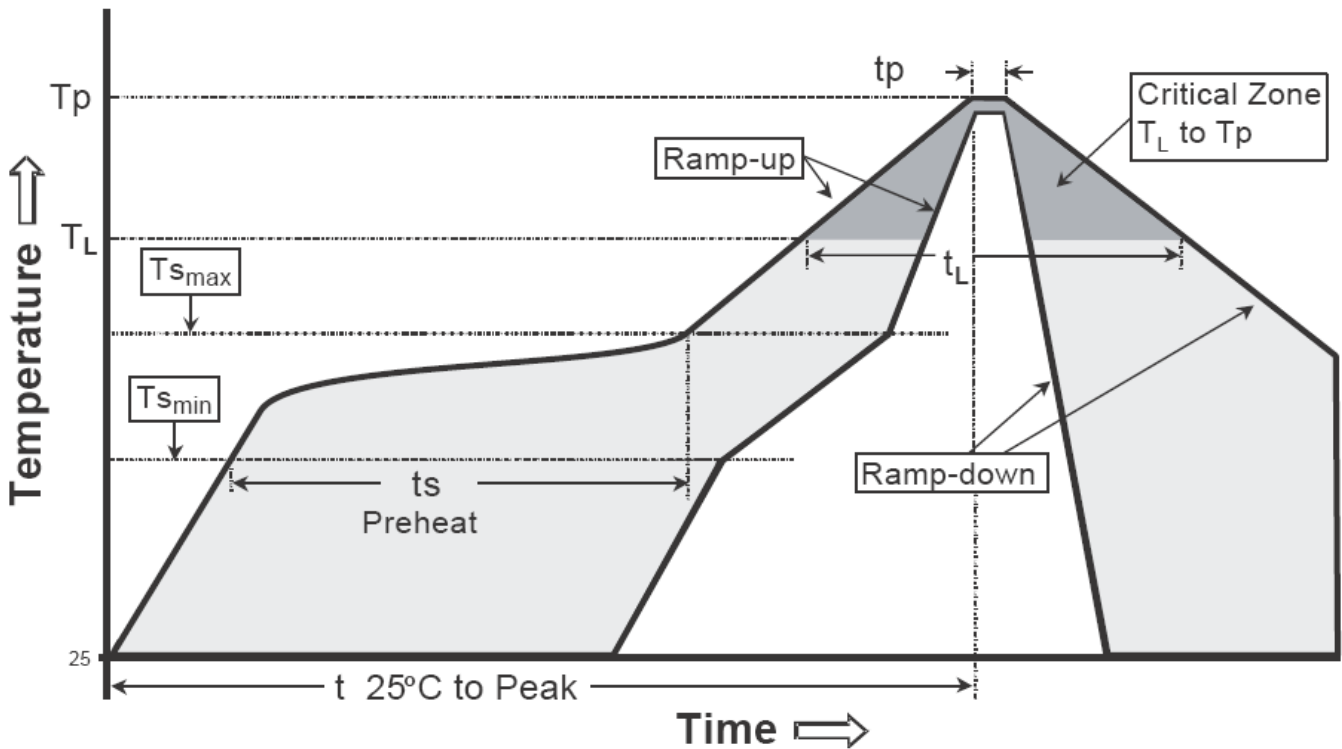


Carrier Tape Dimension



Recommended wave soldering condition

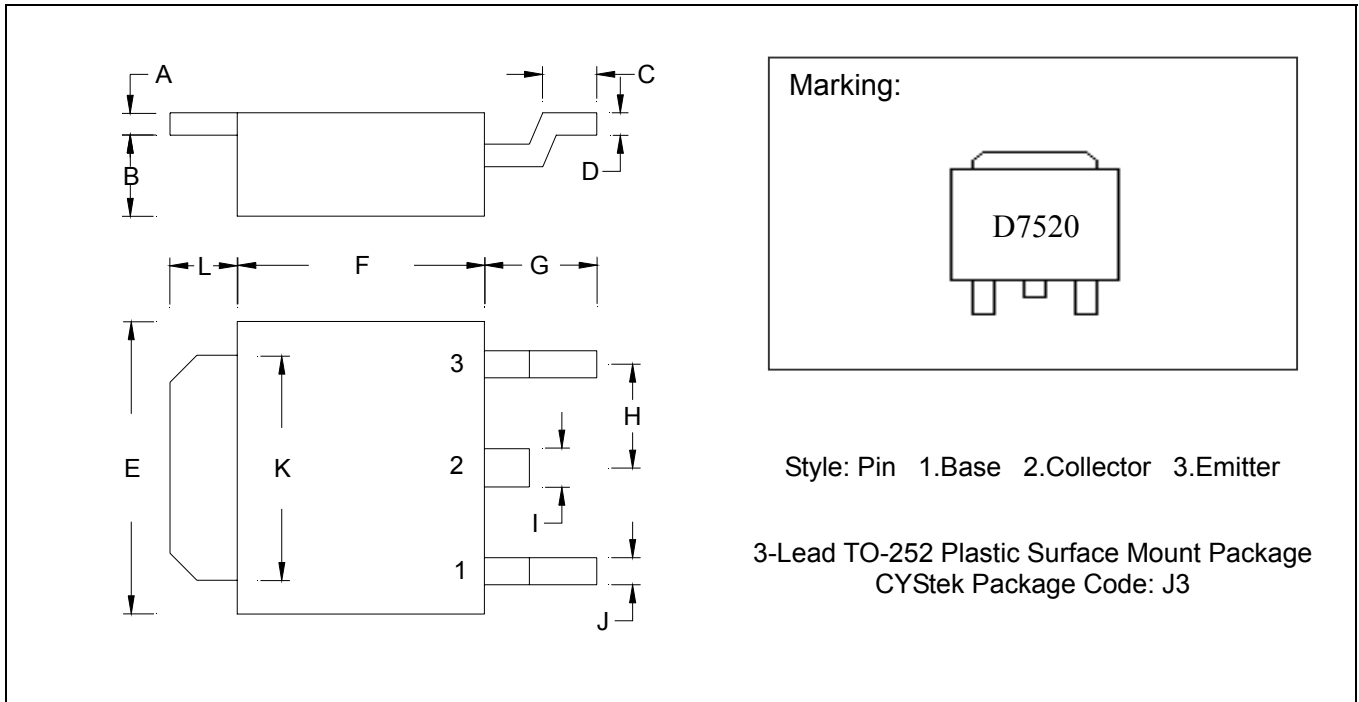
Product	Peak Temperature	Soldering Time
Pb-free devices	260 +0/-5 °C	5 +1/-1 seconds

Recommended temperature profile for IR reflow


Profile feature	Sn-Pb eutectic Assembly	Pb-free Assembly
Average ramp-up rate (Tsmax to Tp)	3°C/second max.	3°C/second max.
Preheat		
-Temperature Min(Ts min)	100°C	150°C
-Temperature Max(Ts max)	150°C	200°C
-Time(ts min to ts max)	60-120 seconds	60-180 seconds
Time maintained above:		
-Temperature (Tl)	183°C	217°C
- Time (tl)	60-150 seconds	60-150 seconds
Peak Temperature(Tp)	240 +0/-5 °C	260 +0/-5 °C
Time within 5°C of actual peak temperature(tp)	10-30 seconds	20-40 seconds
Ramp down rate	6°C/second max.	6°C/second max.
Time 25 °C to peak temperature	6 minutes max.	8 minutes max.

Note : All temperatures refer to topside of the package, measured on the package body surface.

TO-252 Dimension



*: Typical

DIM	Inches		Millimeters		DIM	Inches		Millimeters	
	Min.	Max.	Min.	Max.		Min.	Max.	Min.	Max.
A	0.0177	0.0217	0.45	0.55	G	0.0866	0.1102	2.20	2.80
B	0.0650	0.0768	1.65	1.95	H	-	*0.0906	-	*2.30
C	0.0354	0.0591	0.90	1.50	I	-	0.0354	-	0.90
D	0.0177	0.0236	0.45	0.60	J	-	0.0315	-	0.80
E	0.2520	0.2677	6.40	6.80	K	0.2047	0.2165	5.20	5.50
F	0.2125	0.2283	5.40	5.80	L	0.0551	0.0630	1.40	1.60

Notes: 1.Controlling dimension: millimeters.
 2.Maximum lead thickness includes lead finish thickness, and minimum lead thickness is the minimum thickness of base material.
 3.If there is any question with packing specification or packing method, please contact your local CYStek sales office.

Material:

- Lead: KFC; solder plating
- Mold Compound: Epoxy resin family, flammability solid burning class: UL94V-0

Important Notice:

- All rights are reserved. Reproduction in whole or in part is prohibited without the prior written approval of CYStek.
- CYStek reserves the right to make changes to its products without notice.
- CYStek **semiconductor products are not warranted to be suitable for use in Life-Support Applications, or systems.**
- CYStek assumes no liability for any consequence of customer product design, infringement of patents, or application assistance.