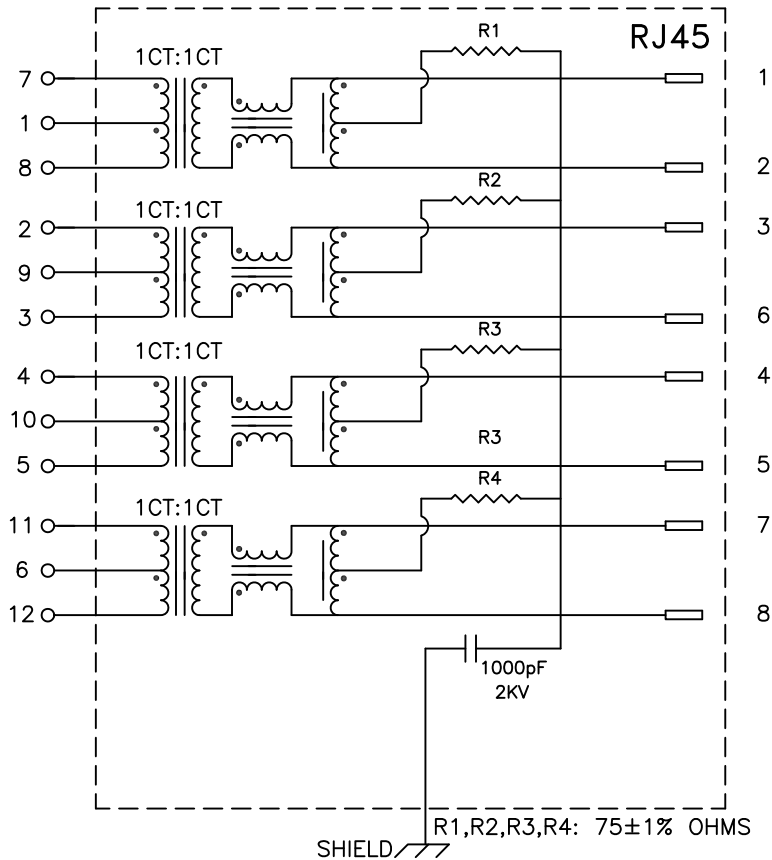
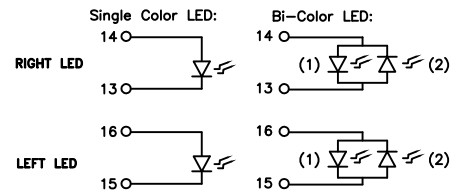


Schematic:



Electrical Specifications: @25°C

- Isolation Voltage: 1500 Vrms @60Hz 1MIN
- Common to Differential Mode Rejection: @300KHz-100MHz -35dB Min
- Common to Common Mode Rejection: @300KHz-100MHz -30dB Min
- Crosstalk: $-33+20\log(f/100\text{MHz})$ (1-100MHz -73dB -33dB Min)
- Insertion Loss @0.3-100MHz -1.0dB Typ
- @100MHz-125MHz -1.5dB Max
- Return Loss: @0.5MHz-40MHz -18dB Min
- @40MHz-100MHz $-12+20\log(f/80\text{MHz})$ Min



LED SCHEMATIC
Complete the Combo P/N as follows:

Replace 'x' & 'u' in the part number with one of the LED color letters:

Y=Yellow	'x' = Left LED Color
G=Green	'u' = Right LED Color
A=Amber	
R=Red	
C=Green(1)/Amber(2) Bicolor	
D=Amber(1)/Green(2) Bicolor	
M=Green(1)/Yellow(2) Bicolor	
N=Yellow(1)/Green(2) Bicolor	
P=Red(1)/Green(2) Bicolor	
Q=Green(1)/Red(2) Bicolor	
E=Red(1)/Yellow(2) Bicolor	
F=Yellow(1)/Red(2) Bicolor	
H=Amber(1)/Yellow(2) Bicolor	
J=Green(1)/Green(2) Bicolor	

Notes:

- Solderability: Leads shall meet MIL-STD-202G, Method 208H for solderability.
- Flammability: UL94V-0
- ASTM oxygen index: > 28%
- UL Recognized Component: File Number E165866
- Operating Temperature Range: All listed parameters are to be within tolerance from -40°C to +85°C
- Storage Temperature Range: -55°C to +125°C
- Aqueous wash compatible
- Electrical and mechanical specifications 100% tested
- RoHS Compliant Component

DOC REV: A/1

XFMRs Inc.
www.XFMRs.com

Title: **Low Profile Gigabit COMBO**

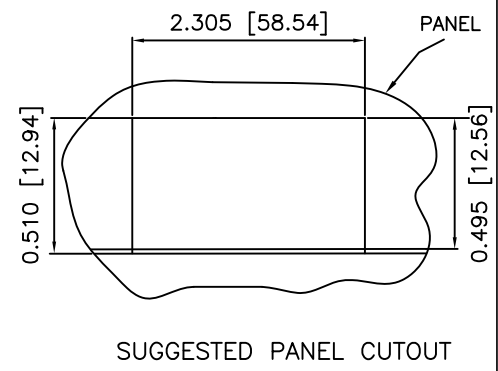
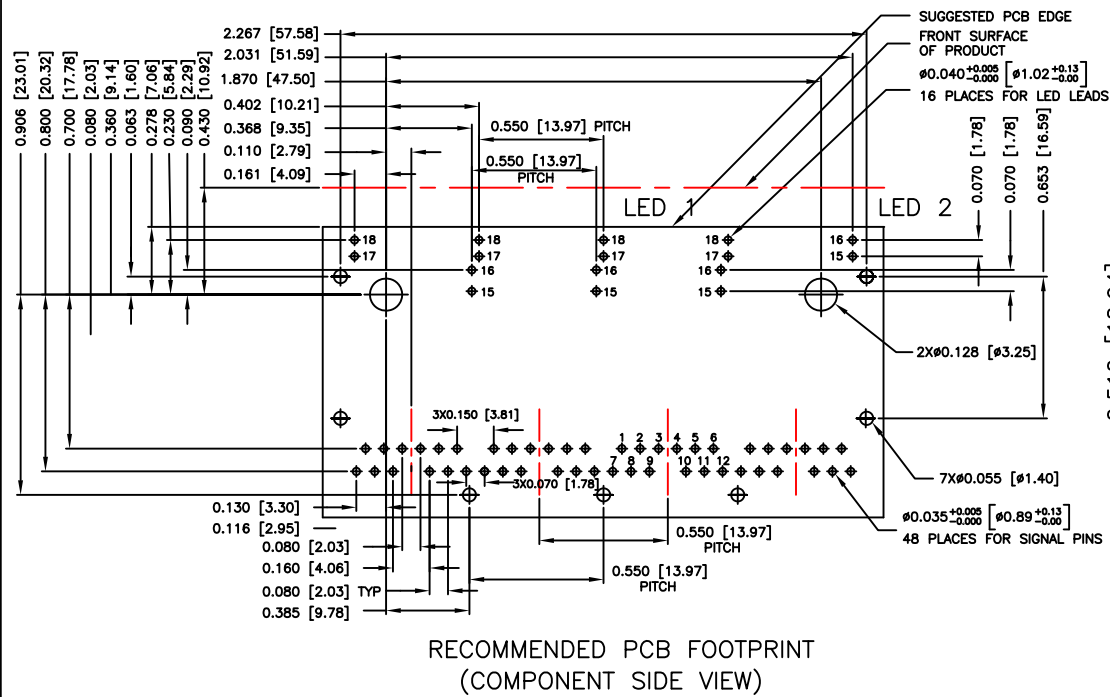
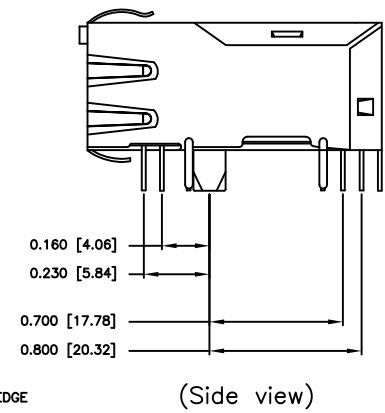
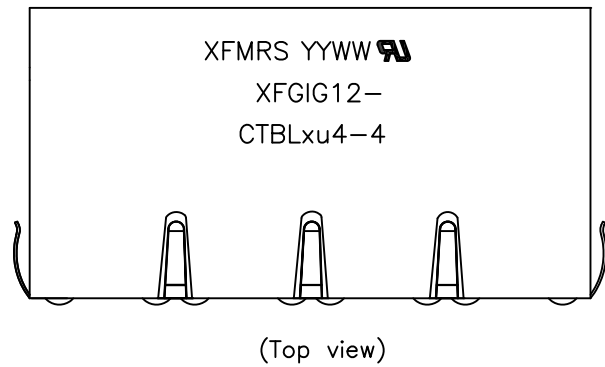
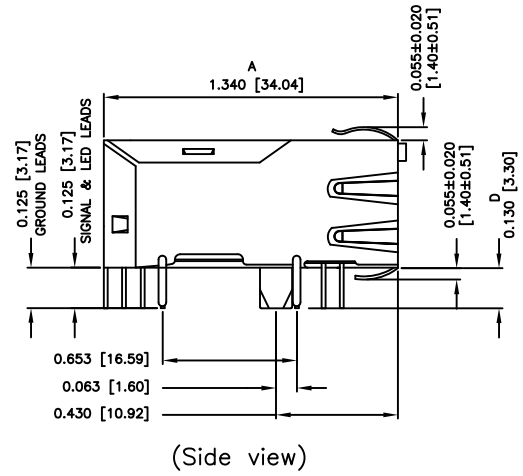
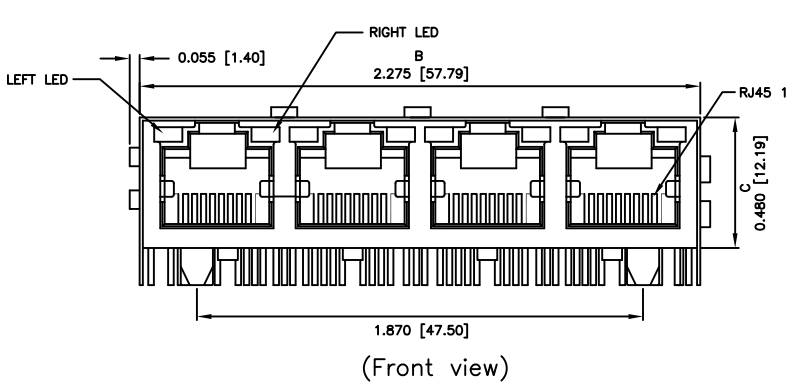
UNLESS OTHERWISE SPECIFIED
TOLERANCES:
.xxx ±0.010
Dimensions in Inch
SHEET 1 OF 2

P/N:	XFGIG12-CTBLxu4-4	REV.	A
DWN.	Yuan		Jan-09-13
CHK.	YK Liao		Jan-09-13
APP.	BW		Jan-09-13

PROPRIETARY:

Document is the property of XFMRs Group & is not allowed to be duplicated without authorization.

Mechanical Dimensions:



DOC REV: A/1

XFMRS Inc. www.XFMRS.com		Title: "1.34" Inch 1x4 TAB UP COMBO w/ LED'S	
UNLESS OTHERWISE SPECIFIED TOLERANCES: .xxx ±0.010 Dimensions in Inch(mm)		P/N: XFGIG12-CTBLxu4-4	REV. A
DWN.	Yuan	Jan-09-13	
CHK.	YK Liao	Jan-09-13	
APP.	BW	Jan-09-13	
SHEET 2 OF 2			

PROPRIETARY:
 Document is the property of XFMRS Group & is not allowed to be duplicated without authorization.