

# Energy-saving axial fan

Ø 200



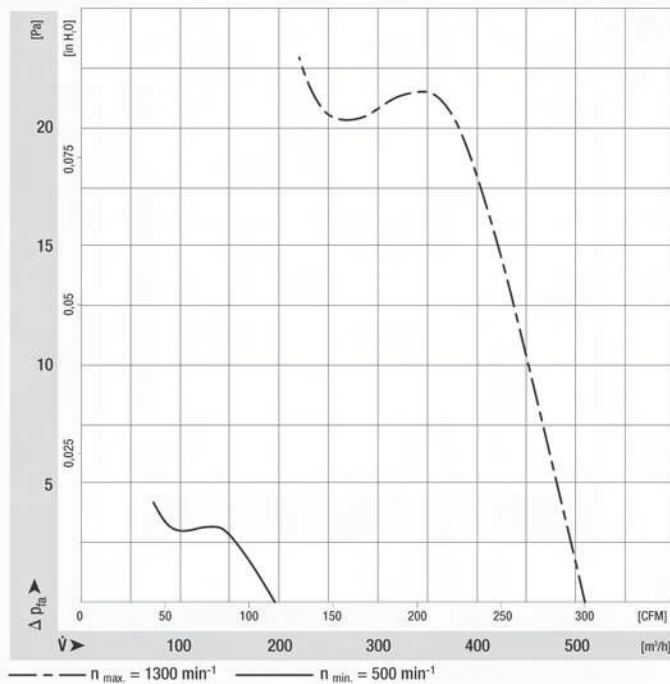
- **Material:** Wall ring: Plastic PP20TV  
Blade: Plastic PA6GF
- **Number of blades:** 5
- **Direction of air flow:** "V", exhaust over struts
- **Direction of rotation:** Counter-clockwise seen on rotor
- **Type of protection:** IP 54
- **Insulation class:** "B"
- **Mounting position:** Any
- **Condensate discharges:** None
- **Mode of operation:** Continuous operation (S1)
- **Bearings:** Maintenance-free ball bearings
- **Motor protection:** Via electronics and TOP
- **Electrical connection:** Line cord with plug
- **Protection class:** II
- **Product conforming to standard:** CE
- **Approvals:** VDE;  
UL, CSA is applied for
- **Speed:** Using the programming unit, 2 speeds between  $n_{min}$  and  $n_{max}$  can be programmed.

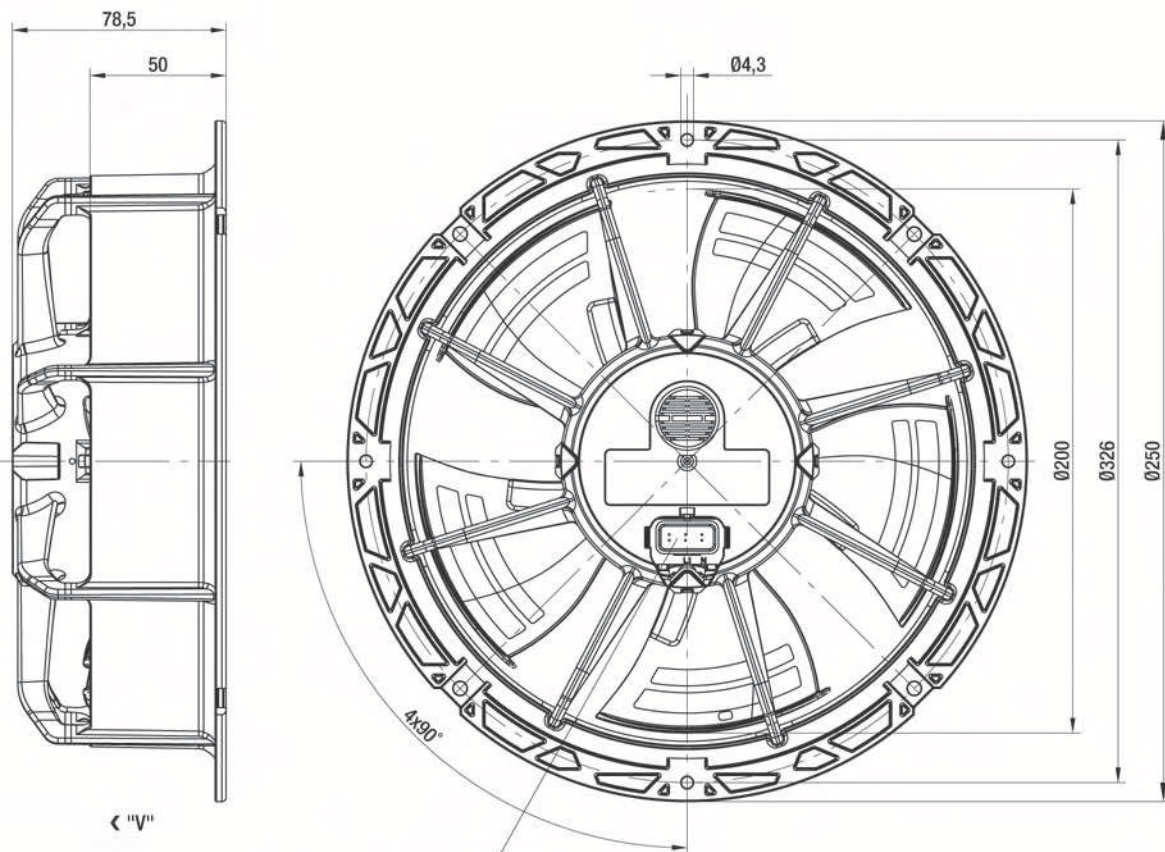
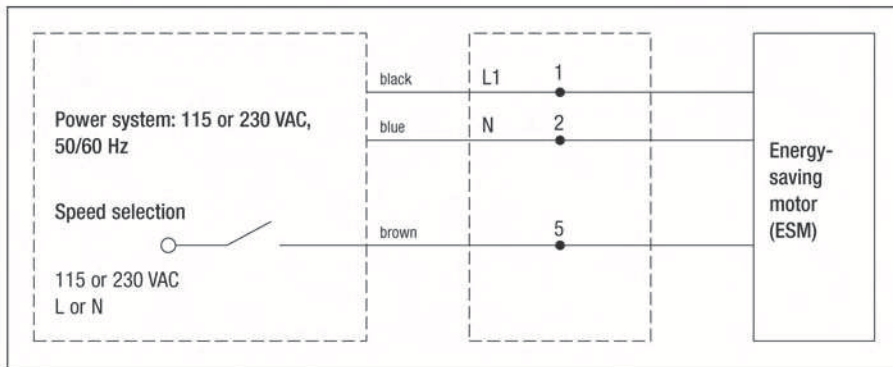
## Nominal data

Type	Motor	Nominal voltage	Frequency	Air flow	Speed/rpm	Max. Power input	Max. Current draw	Sound pressure level	Max. operative range	Perm. amb. temp.	Mass
		VAC	Hz	m <sup>3</sup> /h	rpm	W	A	dB(A)	Pa	°C	kg
<b>W1G200-EC87-20</b>	M1G055-BD	230	50/60	500	1300	11	0,09	41	20	-30..+50	1,0

subject to alterations

Curve (programmable)





including line cord with plug  
(450 mm long)