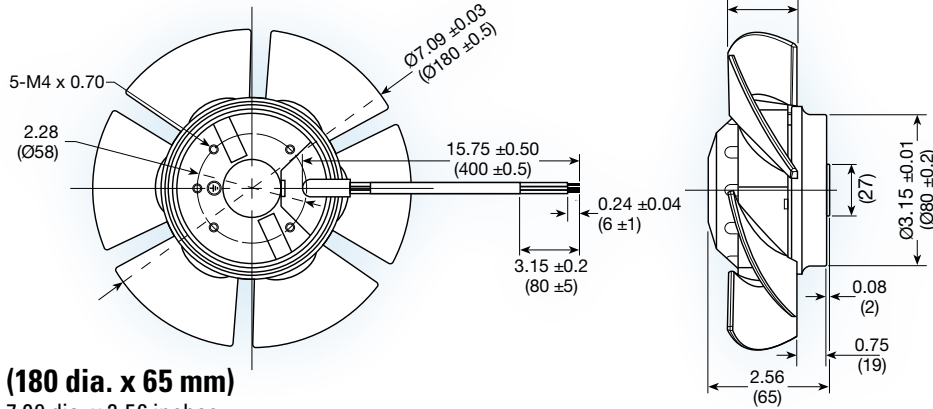
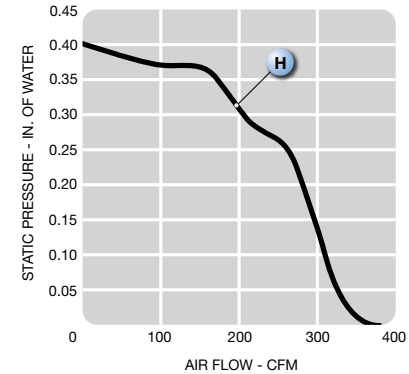


# UF180BAB series



**(180 dia. x 65 mm)**  
7.09 dia. x 2.56 inches



|                           |   |
|---------------------------|---|
| <b>Features:</b>          | <b>forward curved impeller</b>                    |
| <b>Operating voltage:</b> | 115 or 230 VAC                                    |
| <b>Construction:</b>      | aluminum die cast motor base<br>aluminum impeller |
| <b>Bearing option:</b>    | motor quality ball bearings                       |
| <b>Motor:</b>             | 2 pole permanent split capacitor,<br>single phase |
| <b>Air Flow:</b>          | axial   |
| <b>Connection:</b>        | 22 AWG lead wires; nom. 14<br>inches              |
| <b>Protection:</b>        | thermal   |
| <b>Insulation:</b>        | Class B   |

| Model No.               | Rated Voltage<br>V | Freq.<br>HZ | Input Power<br>W | Rated Cur.<br>A | Locked Cur.<br>A | Speed<br>RPM | Air Volume           |     | Max. Static Pressure (H <sub>2</sub> O) |      | Sound Noise<br>dbA | Weight<br>LBS |
|-------------------------|--------------------|-------------|------------------|-----------------|------------------|--------------|----------------------|-----|---|------|--------------------|---------------|
|                         |                    |             |                  |                 |                  |              | M <sup>3</sup> /Min. | CFM | MM                                      | INCH |                    |               |
| <b>UF180BAB12-HC2-A</b> | 115                | 60          | 75               | 0.71            | 1.23             | 3,100        | 11                   | 388 | 10.1                                    | 0.4  | 65                 | 2.6           |
| <b>UF180BAB23-HC2-A</b> | 230                | 60          | 75               | 0.40            | 0.54             | 3,100        | 11                   | 388 | 10.1                                    | 0.4  | 65                 | 2.6           |

