

LOC	DIST	REVISIONS			
P	LTR	DESCRIPTION	DATE	DWN	APVD
	A	REVISED PER ECR-14-007824	02JUNE2014	RS	EC
	B	ECO-15-015144: ADD UL.	EC	EC	

SAFETY ORGANIZATIONS

THIS FILTER HAS BEEN FORMALLY RECOGNIZED, CERTIFIED OR APPROVED BY THE LISTED AGENCY. THEREFORE, ALL TEST/REQUIREMENTS SPECIFIED IN THE LATEST REVISION OF THE FOLLOWING AGENCY STANDARDS HAVE BEEN MET: UL

RELIABILITY SPECIFICATIONS

STORAGE TEMPERATURE: -40°C TO +85°C
 HUMIDITY: 21 DAYS @ 40°C AND 95% RH

OPERATING SPECIFICATIONS

LINE CURRENT/VOLTAGE: 400 A, 520 VAC
 LINE FREQUENCY: 50-60 Hz
 NOMINAL LEAKAGE CURRENT: 6 mA
 MAXIMUM LEAKAGE CURRENT: 222mA @ 277V, 50HZ
 OPERATING AMBIENT TEMPERATURE RANGE @ RATED CURRENT, I : -10°C TO +50°C

IN AN AMBIENT, T, HIGHER THAN 50°C, THE MAXIMUM OPERATING CURRENT, I, IS AS FOLLOWS:

$$I_o = I_R \sqrt{\frac{100 - T_o}{50}}$$

TEST SPECIFICATIONS

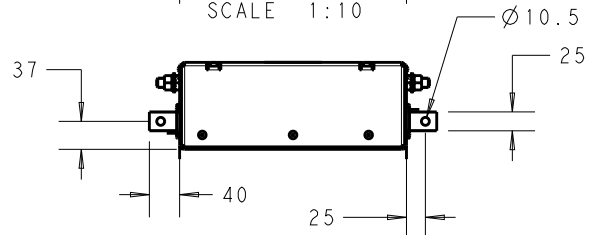
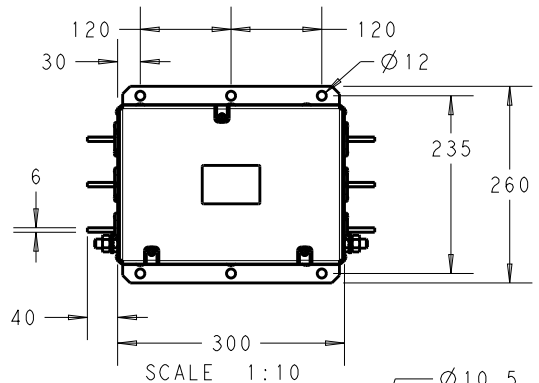
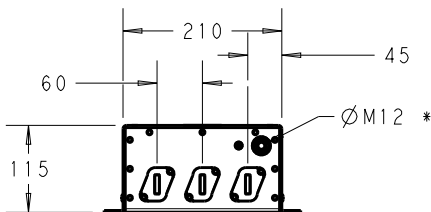
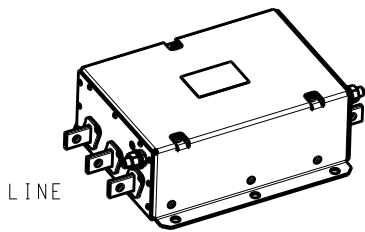
INDUCTANCE, NOMINAL: 56.3 μH
 CAPACITANCE @ 1 kHz, 0.25 VAC MAX., 25°C ±1°C:
 LINE TO GROUND, NOMINAL: 2.62 μF
 LINE TO LINE, NOMINAL: 12.3 μF
 DISCHARGE RESISTOR L/G AND L/L I.R.: 666kΩ/666kΩ
 IR (NO DISCHARGE RESISTOR) 20°C, 50% RH AND 100VDC, MIN: 6000 MΩ

RECOMMENDED RECEIVING INSPECTION HIPOT

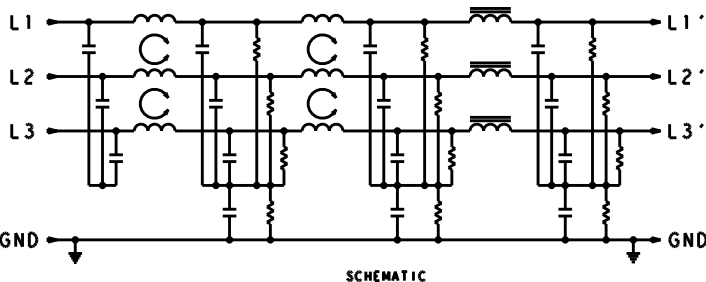
LINE TO GROUND FOR 1 MINUTE: 2200 VDC
 LINE TO LINE FOR 1 MINUTE: 2160 VDC

FILTER APPROVAL:

THE BEST WAY TO SELECT AND QUALIFY A FILTER IS FOR YOUR ENGINEERING TO TEST THE UNIT IN YOUR EQUIPMENT.



* DO NOT LOOSEN INNER GROUND NUTS. TORQUE OUTER GROUND NUTS TO: 25-30 NM [220-260 IN-LB]



TYPICAL INSERTION LOSS
 COMMON MODE 50/50 Ω; DIFFERENTIAL MODE 100/100 Ω

MHz	0.01	0.05	0.15	0.5	1.0	3.0	5.0	10	30
CM	12	20	63	90	76	69	63	48	25
DM	32	44	70	78	67	54	49	41	29

20

RELEASED FOR PUBLICATION

ALL RIGHTS RESERVED.

THIS DRAWING IS UNPUBLISHED.

BY -

© COPYRIGHT 20

DIMENSIONS: mm	DWN RS 16DEC2013	MATERIAL	FINISH
TOLERANCES UNLESS OTHERWISE SPECIFIED:	CHK EC 16DEC2013	TE Connectivity	
0 PLC ±2 1 PLC ±0.4 2 PLC ±0.25 3 PLC ±0.2 4 PLC ±0.1 ANGLES ±-	APVD EC 16DEC2013		
	PRODUCT SPEC	NAME 400APH12L 3-PHASE DELTA FILTER	
	APPLICATION SPEC	SIZE	RESTRICTED TO
	WEIGHT	A400779	C-8-1609148-3
	Customer Drawing	SCALE 1:1	SHEET 1 OF 1 REV B