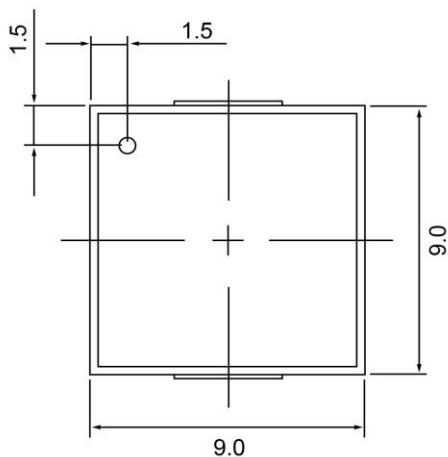
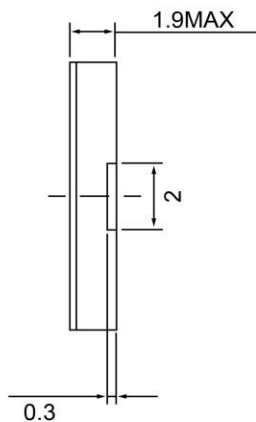


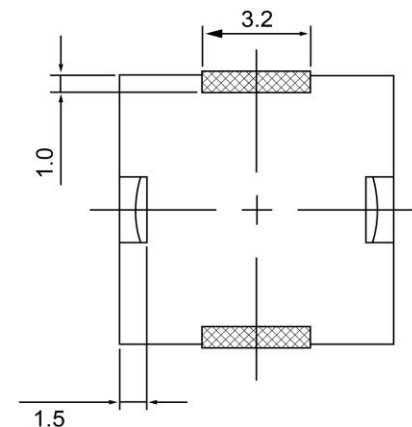
TOP VIEW



SIDE VIEW



BOTTOM VIEW



**Specifications**

Description	Value	Unit
Technology	Piezo	
Resonant Frequency	4,000	(Hz)
Rated Voltage	3	(V)
SPL @ 10cm	65	(dBA)
Capacitance	12,000	(pF)
Mount Type	Surface Mount	
Voltage Range	1 ~ 25	(V)
Max Rated Current	3	(mA)
Housing Material	LCP	
Operating Temperature	-30 ~ +75	°C
Storage Temperature	-40 ~ +85	°C
Weight	0.2	°C

**Notes**

- 1) All dimensions are in mm unless otherwise noted
- 2) All parts meet RoHS



**Revision History**

Version	Description	Date	Approved		
1	Released from Engineering	3/31/2014	J.S		
Drawn by	Date	Checked by	Date	Approved by	Date
G.W.	3/31/2014	C.E.	3/31/2014	J.S	3/31/2014

Piezo Transducer

**TP094003-1**