

# 1V to 13.2V, n-Channel Hot-Swap Controllers Require No Sense Resistor

## General Description

The MAX5924/MAX5925/MAX5926 1V to 13.2V hot-swap controllers allow the safe insertion and removal of circuit cards into live backplanes. These devices hot swap supplies ranging from 1V to 13.2V provided that the device supply voltage,  $V_{CC}$ , is at or above 2.25V and the hot-swapped supply,  $V_S$ , does not exceed  $V_{CC}$ .

The MAX5924/MAX5925/MAX5926 hot-swap controllers limit the inrush current to the load and provide a circuit-breaker function for overcurrent protection. The devices operate with or without a sense resistor. When operating without a sense resistor, load-probing circuitry ensures a short circuit is not present during startup, then gradually turns on the external MOSFET. After the load probing is complete, on-chip comparators provide overcurrent protection by monitoring the voltage drop across the external MOSFET on-resistance. In the event of a fault condition, the load is disconnected.

The MAX5924/MAX5925/MAX5926 include many integrated features that reduce component count and design time, including configurable turn-on voltage, slew rate, and circuit-breaker threshold. An on-board charge pump provides the gate drive for a low-cost, external n-channel MOSFET.

The MAX5924/MAX5925/MAX5926 are available with open-drain PGOOD and/or PGOOD outputs. The MAX5925/MAX5926 also feature a circuit breaker with temperature-compensated  $R_{DS(ON)}$  sensing. The MAX5926 features a selectable 0ppm/°C or 3300ppm/°C temperature coefficient. The MAX5924 temperature coefficient is 0ppm/°C and the MAX5925 temperature coefficient is 3300ppm/°C. Autoretry and latched fault-management configurations are available (see the *Selector Guide*).

## Applications

Base Stations  
RAID  
Remote-Access Servers  
Network Routers and Switches  
Servers  
Portable Device Bays

$\mu$ MAX is a registered trademark of Maxim Integrated Products, Inc.

**Selector Guide appears at end of data sheet.**  
**Pin Configurations appear at end of data sheet.**

## Features

- ◆ Hot Swap 1V to 13.2V with  $V_{CC} \geq 2.25V$
- ◆ Drive High-Side n-Channel MOSFET
- ◆ Operation With or Without  $R_{SENSE}$
- ◆ Temperature-Compensated  $R_{DS(ON)}$  Sensing
- ◆ Protected During Turn-On into Shorted Load
- ◆ Adjustable Circuit-Breaker Threshold
- ◆ Programmable Slew-Rate Control
- ◆ Programmable Turn-On Voltage
- ◆ Autoretry or Latched Fault Management
- ◆ 10-Pin  $\mu$ MAX® or 16-Pin QSOP Packages

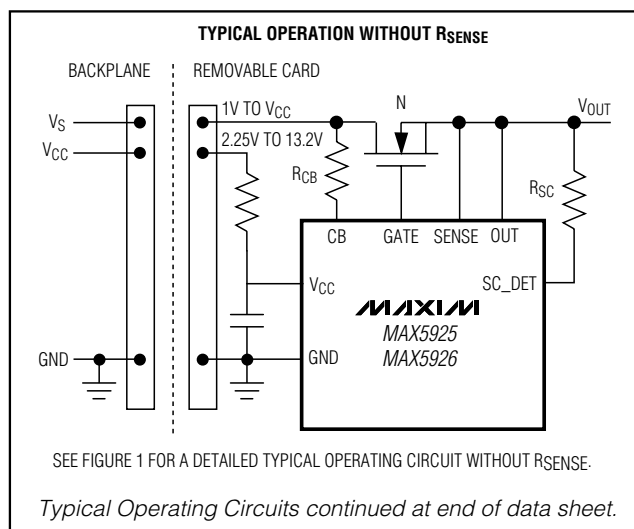
## Ordering Information

PART	TEMP RANGE	PIN-PACKAGE
MAX5924AEUB	-40°C to +85°C	10 $\mu$ MAX
MAX5924BEUB	-40°C to +85°C	10 $\mu$ MAX
MAX5924CEUB*	-40°C to +85°C	10 $\mu$ MAX
MAX5924DEUB*	-40°C to +85°C	10 $\mu$ MAX
MAX5925AEUB	-40°C to +85°C	10 $\mu$ MAX
MAX5925BEUB*	-40°C to +85°C	10 $\mu$ MAX
MAX5925CEUB*	-40°C to +85°C	10 $\mu$ MAX
MAX5925DEUB*	-40°C to +85°C	10 $\mu$ MAX
MAX5926EEE	-40°C to +85°C	16 QSOP-EP**

\*Future product—contact factory for availability.

\*\*EP = Exposed pad.

## Typical Operating Circuits



# 1V to 13.2V, n-Channel Hot-Swap Controllers Require No Sense Resistor

## ABSOLUTE MAXIMUM RATINGS

(All voltages referenced to GND, unless otherwise noted).

V <sub>CC</sub> .....	-0.3V to +14V
GATE*.....	-0.3V to +20V
All Other Pins.....	-0.3V to the lower of (V <sub>CC</sub> + 0.3V) or +14V
SC_DET Current (200ms pulse width, 15% duty cycle) ...	140mA
Continuous Current (all other pins).....	20mA

Continuous Power Dissipation (T<sub>A</sub> = +70°C)

10-Pin μMAX (derate 6.9mW/°C above +70°C).....	556mW
16-Pin QSOP (derate 18.9mW/°C above +70°C).....	1509mW
Operating Temperature Range.....	-40°C to +85°C
Junction Temperature.....	+150°C
Storage Temperature Range.....	-65°C to +150°C
Lead Temperature (soldering, 10s).....	+300°C

\*GATE is internally driven and clamped. Do not drive GATE with external source.

Stresses beyond those listed under "Absolute Maximum Ratings" may cause permanent damage to the device. These are stress ratings only, and functional operation of the device at these or any other conditions beyond those indicated in the operational sections of the specifications is not implied. Exposure to absolute maximum rating conditions for extended periods may affect device reliability.

## ELECTRICAL CHARACTERISTICS

(V<sub>CC</sub>, EN (MAX5924/MAX5925), EN1 (MAX5926) = +2.25V to +13.2V;  $\overline{\text{EN2}}$  (MAX5926) = 0V; V<sub>S</sub> (see Figure 1) = +1.05V to V<sub>CC</sub>; T<sub>A</sub> = -40°C to +85°C, unless otherwise noted. Typical values are at V<sub>CC</sub> = 5V, R<sub>L</sub> = 500Ω from OUT to GND, C<sub>L</sub> = 1μF, SLEW = open, T<sub>A</sub> = +25°C, unless otherwise noted.) (Note 1)

PARAMETER	SYMBOL	CONDITIONS	MIN	TYP	MAX	UNITS	
<b>POWER SUPPLIES</b>							
V <sub>CC</sub> Operating Range	V <sub>CC</sub>		2.25		13.2	V	
V <sub>S</sub> Operating Range	V <sub>S</sub>	V <sub>S</sub> as defined in Figure 1	1.05		V <sub>CC</sub>	V	
Supply Current	I <sub>CC</sub>	FET is fully enhanced, SC_DET = V <sub>CC</sub>		1.5	2.5	mA	
<b>UNDERVOLTAGE LOCKOUT (UVLO)</b>							
UVLO Threshold	V <sub>UVLO</sub>	Default value, V <sub>S</sub> and V <sub>CC</sub> increasing, Figure 1	1.73	2.06	2.47	V	
V <sub>CC</sub> UVLO Deglitch Time	t <sub>DG</sub>	(Note 2)		900		μs	
V <sub>CC</sub> UVLO Startup Delay	t <sub>D,UVLO</sub>		123	200	350	ms	
<b>LOAD-PROBE</b>							
Load-Probe Resistance (Note 3)	R <sub>LP</sub>	2.25V < V <sub>CC</sub> < 5V	4	30	65	Ω	
		5V < V <sub>CC</sub> < 13.2V	3	10	20		
Load-Probe Timeout	t <sub>LP</sub>		43	102	205	ms	
Load-Probe Threshold Voltage	V <sub>LP,TH</sub>	(Note 4)	172	200	235	mV	
<b>CIRCUIT BREAKER</b>							
Circuit-Breaker Programming Current	I <sub>CB</sub>	TC = high (MAX5926), MAX5924	34	37	42	μA	
	I <sub>CB25</sub>	TC = low (MAX5926), MAX5925 (Note 5)	V <sub>CC</sub> = 2.25V, T <sub>A</sub> = +25°C	44	51		58
			5V ≤ V <sub>CC</sub> ≤ 13.2V, T <sub>A</sub> = +25°C	49	54		58
	I <sub>CB85</sub>	TC = low (MAX5926), MAX5925 (Note 5)	V <sub>CC</sub> = 2.25V, T <sub>A</sub> = +85°C	47	52		60
5V ≤ V <sub>CC</sub> ≤ 13.2V, T <sub>A</sub> = +85°C			58	63	70		

# 1V to 13.2V, n-Channel Hot-Swap Controllers Require No Sense Resistor

MAX5924/MAX5925/MAX5926

## ELECTRICAL CHARACTERISTICS (continued)

( $V_{CC}$ , EN (MAX5924/MAX5925), EN1 (MAX5926) = +2.25V to +13.2V;  $\overline{EN2}$  (MAX5926) = 0V;  $V_S$  (see Figure 1) = +1.05V to  $V_{CC}$ ;  $T_A$  = -40°C to +85°C, unless otherwise noted. Typical values are at  $V_{CC}$  = 5V,  $R_L$  = 500Ω from OUT to GND,  $C_L$  = 1μF, SLEW = open,  $T_A$  = +25°C, unless otherwise noted.) (Note 1)

PARAMETER	SYMBOL	CONDITIONS	MIN	TYP	MAX	UNITS		
Circuit-Breaker Programming Current During Startup	$I_{CB,SU}$			2 x $I_{CB}$		μA		
Circuit-Breaker Enable Threshold	$V_{CB,EN}$	$V_{GATE} - V_{OUT}$ , rising gate voltage (Note 6)	2.3	3.6	4.65	V		
Circuit-Breaker Comparator Offset Voltage	$V_{CB,OS}$			0.3	±4.7	mV		
Fast Circuit-Breaker Offset Resistor	$R_{CBF}$	Figure 3	1.2	1.9	2.7	kΩ		
Slow Circuit-Breaker Delay	$t_{CBS}$	$V_{CB} - V_{SENSE} = 10mV$	0.95	1.6	2.95	ms		
Fast Circuit-Breaker Delay	$t_{CBF}$	$V_{CB} - V_{SENSE} = 500mV$		280		ns		
Circuit-Breaker Trip Gate Pulldown Current	$I_{GATE,PD}$	$V_{GATE} = 2.5V$ , $V_{CC} = 13.2V$	13.5	27		mA		
Circuit-Breaker Temperature Coefficient	$TC_{ICB}$	MAX5924, TC = high (MAX5926)		0		ppm/°C		
		MAX5925, TC = low (MAX5926)		3300				
OUT Current	$I_{OUT}$				120	μA		
<b>MOSFET DRIVER</b>								
External Gate Drive	$V_{GS}$	$V_{GATE} - V_{OUT}$	2.25V ≤ $V_{CC}$ ≤ 13.2V		3.0	4.91	6.70	V
Load Voltage Slew Rate	SR	SLEW = open, $C_{GATE} = 10nF$		2.19	9.5		V/ms	
		$C_{SLEW} = 300nF$ , $C_{GATE} = 10nF$ (Note 8)		0.84				
Gate Pullup Current Capacity	$I_{GATE}$	$V_{GATE} = 0V$	239				μA	
<b>ENABLE COMPARATOR</b>								
EN, EN1 Reference Threshold	$V_{EN/UVLO}$	$V_{EN}$ (MAX5924/MAX5925) or $V_{EN1}$ (MAX5926) rising	0.747	0.795	0.850		V	
EN, EN1 Hysteresis	$V_{EN,HYS}$		30				mV	
EN, EN1 Input Bias Current	$I_{EN}$	EN (MAX5924/MAX5925) = $V_{CC}$ , EN1 (MAX5926) = $V_{CC}$		±8	±50		nA	
<b>DIGITAL OUTPUTS (PGOOD, <math>\overline{PGOOD}</math>)</b>								
Power-Good Output Low Voltage	$V_{OL}$	$I_{OL} = 1mA$		0.3	0.4		V	
Power-Good Output Open-Drain Leakage Current	$I_{OH}$	$\overline{PGOOD}/PGOOD = 13.2V$		0.2	1		μA	
Power-Good Trip Point	$V_{THPGOOD}$	$V_{GATE} - V_{OUT}$ , rising gate voltage	$V_{CB\_EN}$	3.6	4.7		V	
Power-Good Hysteresis	$V_{PG,HYS}$		0.36				V	

# 1V to 13.2V, n-Channel Hot-Swap Controllers Require No Sense Resistor

## ELECTRICAL CHARACTERISTICS (continued)

( $V_{CC}$ , EN (MAX5924/MAX5925), EN1 (MAX5926) = +2.25V to +13.2V;  $\overline{EN2}$  (MAX5926) = 0V;  $V_S$  (see Figure 1) = +1.05V to  $V_{CC}$ ;  $T_A$  = -40°C to +85°C, unless otherwise noted. Typical values are at  $V_{CC}$  = 5V,  $R_L$  = 500Ω from OUT to GND,  $C_L$  = 1μF, SLEW = open,  $T_A$  = +25°C, unless otherwise noted.) (Note 1)

PARAMETER	SYMBOL	CONDITIONS	MIN	TYP	MAX	UNITS
<b>LOGIC AND TIMING (TC, LATCH (MAX5926), <math>\overline{EN2}</math> (MAX5926))</b>						
Autoretry Delay	$t_{RETRY}$	Autoretry mode	0.6	1.6	3.3	s
Input Voltage	$V_{IH}$		2.0			V
	$V_{IL}$				0.4	
Input Bias Current	$I_{BIAS}$	Logic high at 13.2V		3		μA
Time to Clear a Latched Fault	$T_{CLR}$	MAX5924A/ MAX5924B MAX5925A/ MAX5925B MAX5926 in latched mode		200		μS

**Note 1:** All devices are 100% tested at  $T_A$  = +25°C and +85°C. All temperature limits at -40°C are guaranteed by design.

**Note 2:**  $V_{CC}$  drops 30% below the undervoltage lockout voltage during  $t_{DG}$  are ignored.

**Note 3:**  $R_{LP}$  is the resistance measured between  $V_{CC}$  and SC\_DET during the load-probing phase,  $t_{LP}$ .

**Note 4:** Tested at +25°C & +85°C. Guaranteed by design at -40°C.

**Note 5:** The circuit-breaker programming current increases linearly from  $V_{CC}$  = 2.25V to 5V. See the Circuit-Breaker Current vs. Supply Voltage graph in the *Typical Operating Characteristics*.

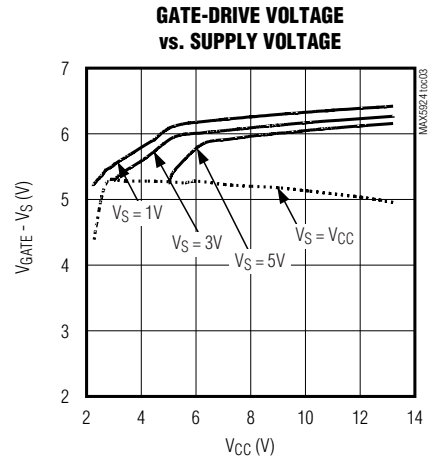
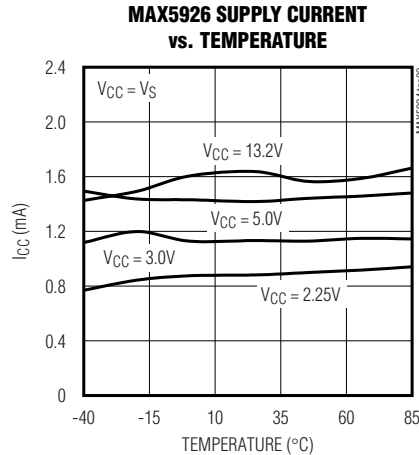
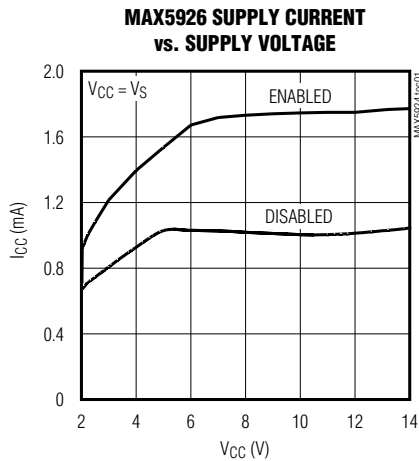
**Note 6:** See the *Startup Mode* section for more information.

**Note 7:**  $V_{GATE}$  is clamped to 17V (typ) above ground.

**Note 8:**  $dv/dt$  =  $330 \times 10^{-9}/C_{SLEW}$  (V/ms), nMOS device used for measurement was IRF9530N. Slew rate is measured at the load.

## Typical Operating Characteristics

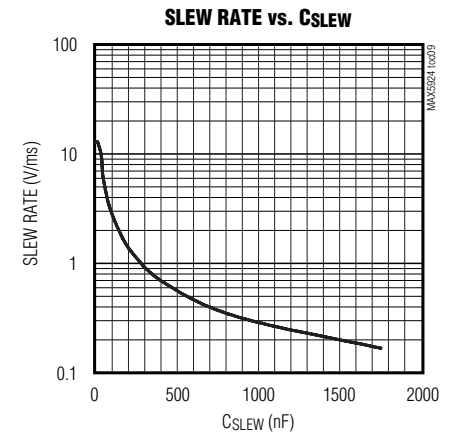
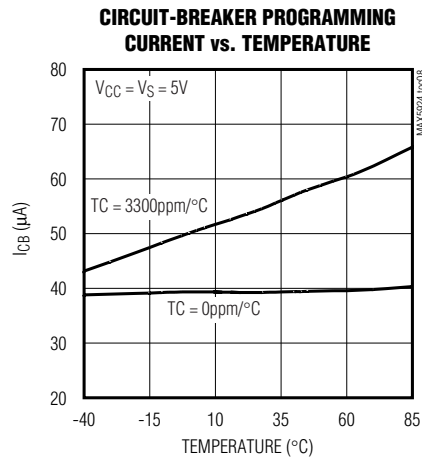
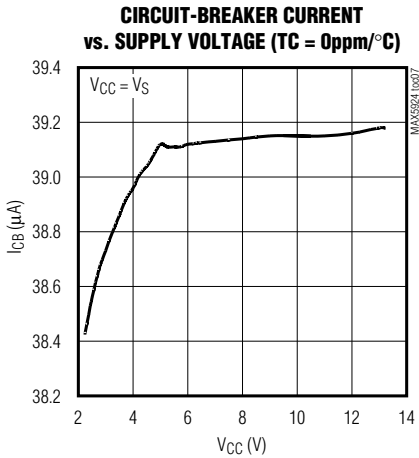
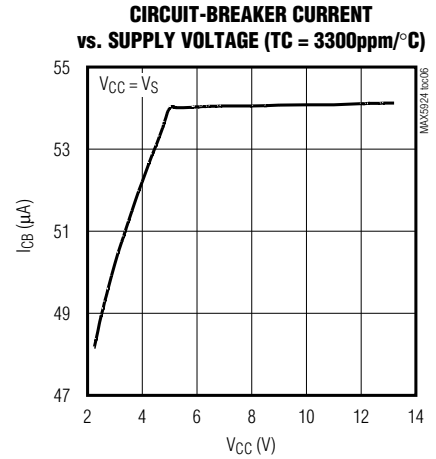
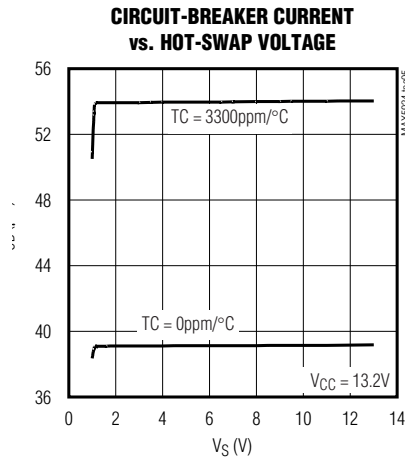
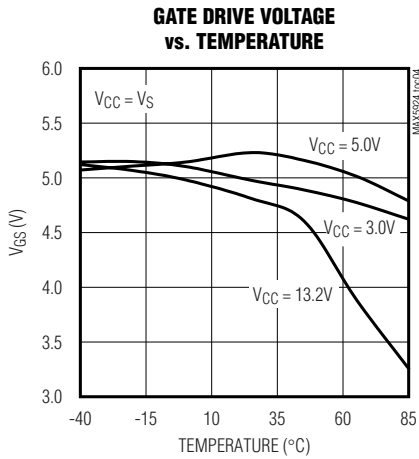
( $V_{CC}$  = 5V,  $C_L$  = 1μF,  $C_{SLEW}$  = 330nF,  $C_{GATE}$  = 10nF,  $R_L$  = 500Ω, Figure 1,  $T_A$  = +25°C, unless otherwise noted.)



# 1V to 13.2V, n-Channel Hot-Swap Controllers Require No Sense Resistor

## Typical Operating Characteristics (continued)

( $V_{CC} = 5V$ ,  $C_L = 1\mu F$ ,  $C_{SLEW} = 330nF$ ,  $C_{GATE} = 10nF$ ,  $R_L = 500\Omega$ , Figure 1,  $T_A = +25^\circ C$ , unless otherwise noted.)

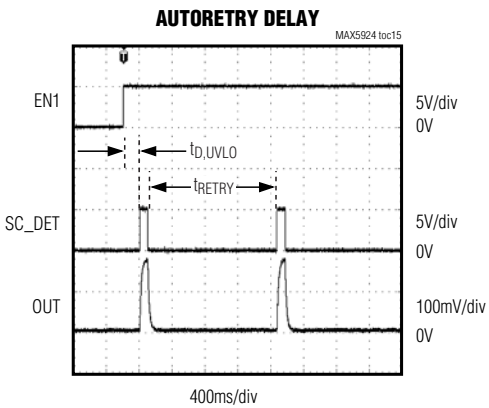
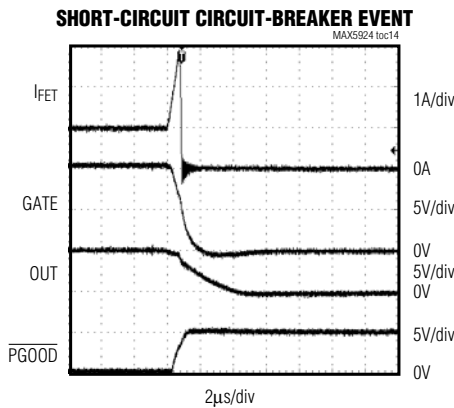
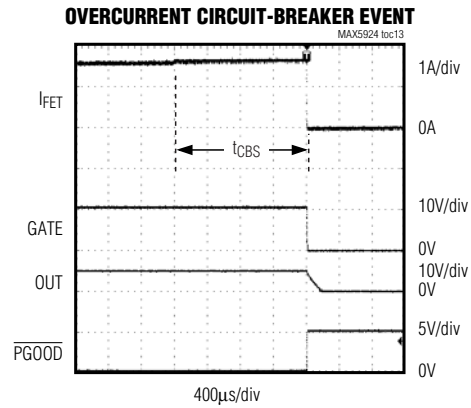
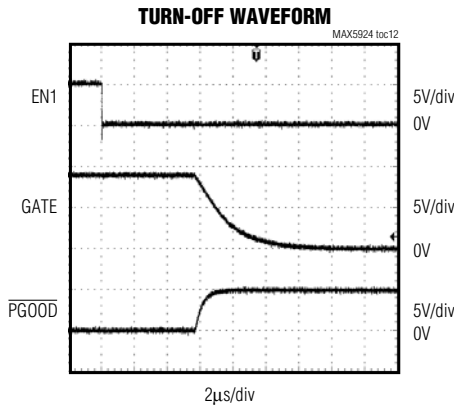
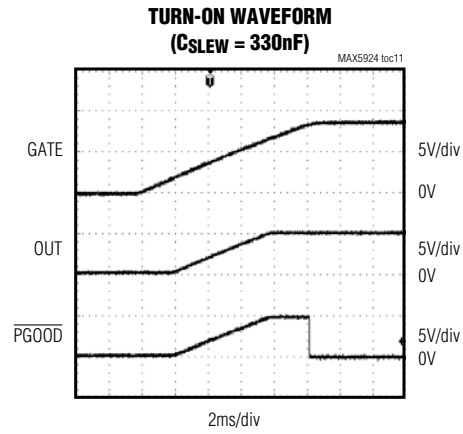
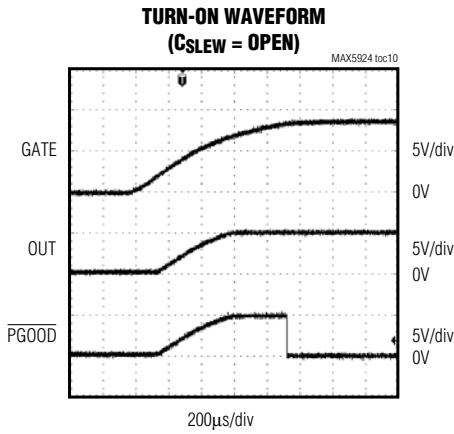


MAX5924/MAX5925/MAX5926

# 1V to 13.2V, n-Channel Hot-Swap Controllers Require No Sense Resistor

## Typical Operating Characteristics (continued)

( $V_{CC} = 5V$ ,  $C_L = 1\mu F$ ,  $C_{SLEW} = 330nF$ ,  $C_{GATE} = 10nF$ ,  $R_L = 500\Omega$ , Figure 1,  $T_A = +25^\circ C$ , unless otherwise noted.)



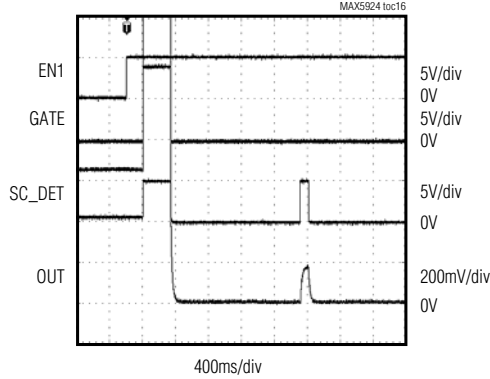
# 1V to 13.2V, n-Channel Hot-Swap Controllers Require No Sense Resistor

## Typical Operating Characteristics (continued)

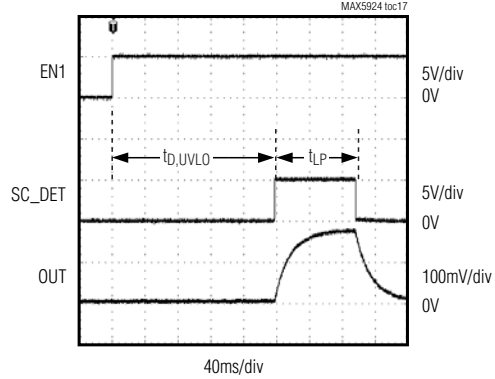
( $V_{CC} = 5V$ ,  $C_L = 1\mu F$ ,  $C_{SLEW} = 330nF$ ,  $C_{GATE} = 10nF$ ,  $R_L = 500\Omega$ , Figure 1,  $T_A = +25^\circ C$ , unless otherwise noted.)

MAX5924/MAX5925/MAX5926

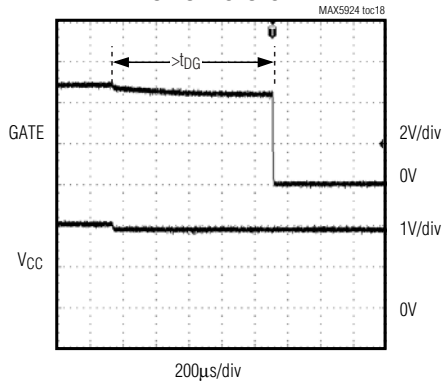
**OVERCURRENT FAULT AND AUTORETRY DELAY**



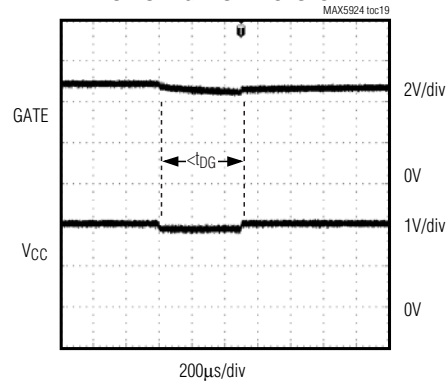
**UVLO DELAY AND LOAD PROBING**



**UVLO RESPONSE**



**UVLO DEGLITCH RESPONSE**



# 1V to 13.2V, n-Channel Hot-Swap Controllers Require No Sense Resistor

## Pin Description

PIN			NAME	FUNCTION
MAX5924A/ MAX5924C/ MAX5925A/ MAX5925C	MAX5924B/ MAX5924D/ MAX5925B/ MAX5925D	MAX5926		
1	1	1	V <sub>CC</sub>	Power-Supply Input. Connect V <sub>CC</sub> to a voltage between 2.47V and 13.2V. <b>V<sub>CC</sub> must always be equal to or greater than V<sub>S</sub></b> (see Figure 1).
2	2	2	SC_DET	Short-Circuit Detection Output. Connect SC_DET to V <sub>OUT</sub> through a series resistor, R <sub>SC</sub> , when not using R <sub>SENSE</sub> . SC_DET forces current (limited to ≈200mA) into the external load through R <sub>SC</sub> at startup to determine whether there is a short circuit (load probing). Connect SC_DET directly to V <sub>CC</sub> when using R <sub>SENSE</sub> . Do not connect SC_DET to V <sub>CC</sub> when not using R <sub>SENSE</sub> in an attempt to disable load probing.
3	3	—	EN	ON/OFF Control Input. Drive EN high to enable the device. Drive EN low to disable the device. An optional external resistive-divider connected between V <sub>CC</sub> , EN, and GND sets the programmable turn-on voltage.
4	—	4	$\overline{\text{PGOOD}}$	Open-Drain Active-Low Power-Good Output
—	4	7	PGOOD	Open-Drain Active-High Power-Good Output
5	5	5	GND	Ground
6	6	12	SLEW	Slew-Rate Adjustment Input. Connect an external capacitor between SLEW and GND to adjust the gate slew rate. Leave SLEW unconnected for the default slew rate.
7	7	13	GATE	Gate-Drive Output. Connect GATE to the gate of the external n-channel MOSFET.
8	8	14	OUT	Output Voltage. Connect OUT to the source of the external MOSFET.
9	9	15	SENSE	Circuit-Breaker Sense Input. Connect SENSE to OUT when not using an external R <sub>SENSE</sub> (Figure 1). Connect SENSE to the drain of the external MOSFET when using an external R <sub>SENSE</sub> (Figure 2).
10	10	16	CB	Circuit-Breaker Threshold Programming Input. Connect an external resistor, R <sub>CB</sub> , from CB to V <sub>S</sub> to set the circuit-breaker threshold voltage.
—	—	3	EN1	Active-High ON/OFF Control Input. Drive EN1 high to enable the device when $\overline{\text{EN2}}$ is low. Drive EN1 low to disable the device, regardless of the state of $\overline{\text{EN2}}$ . An optional external resistive-divider between V <sub>CC</sub> , EN1, and GND sets the programmable turn-on voltage while $\overline{\text{EN2}}$ is low.
—	—	6	$\overline{\text{EN2}}$	Active-Low ON/OFF Control Input. Drive $\overline{\text{EN2}}$ low to enable the device when EN1 is high. Drive $\overline{\text{EN2}}$ high to disable the device, regardless of the state of EN1.
—	—	8	LATCH	Latch Mode Input. Drive LATCH low for autoretry mode. Drive LATCH high for latched mode.
—	—	9	TC	Circuit-Breaker Temperature Coefficient Selection Input. Drive TC low to select a 3300ppm/°C temperature coefficient. Drive TC high to select a 0ppm/°C temperature coefficient.
—	—	10, 11	N.C.	No Connection. Not internally connected.
—	—	EP	EP	Exposed Pad. Connect EP to GND.



# 1V to 13.2V, n-Channel Hot-Swap Controllers Require No Sense Resistor

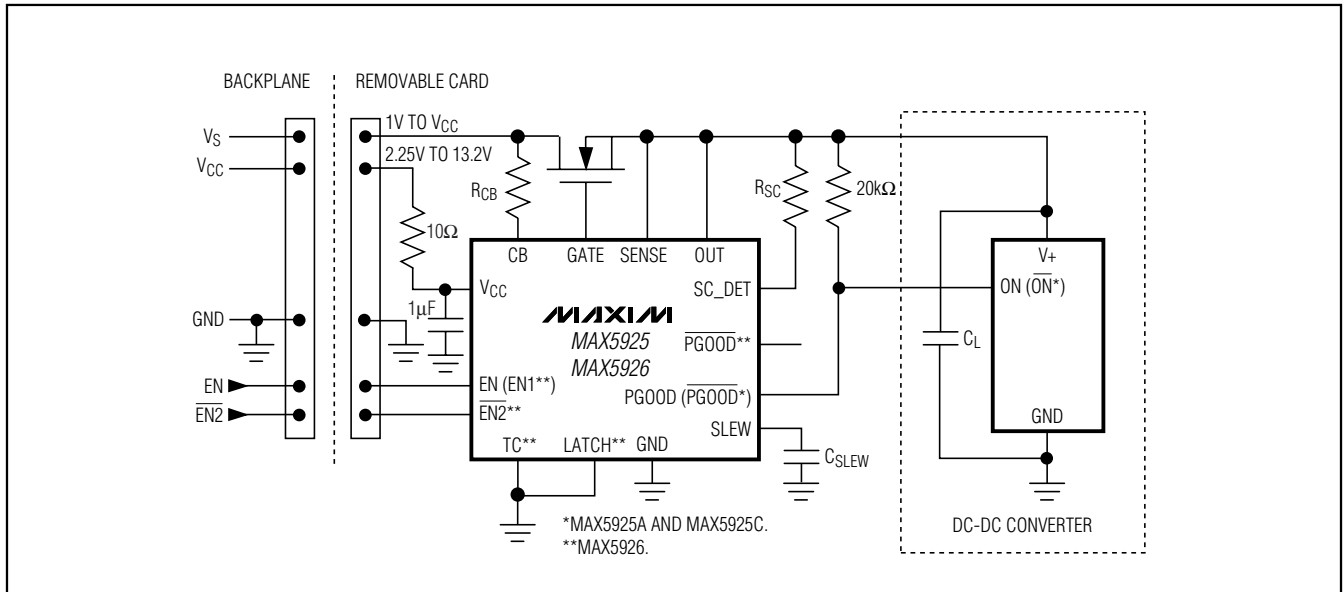


Figure 1. Typical Operating Circuit (Without  $R_{SENSE}$ )

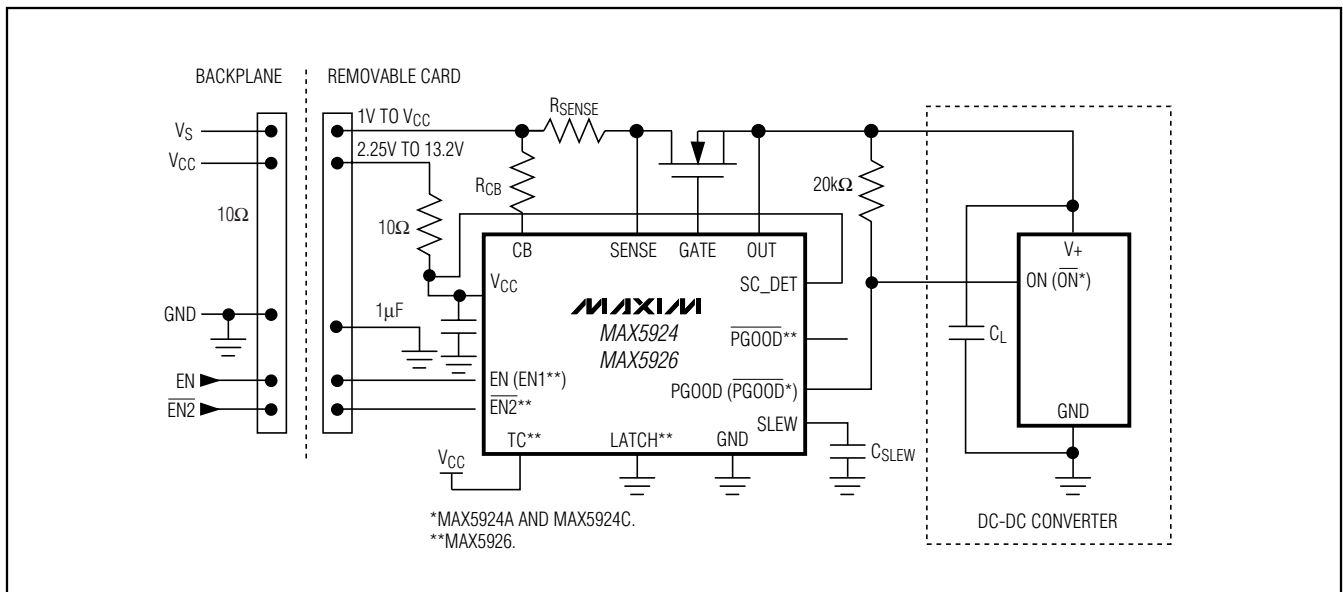


Figure 2. Typical Operating Circuit (With  $R_{SENSE}$ )

# 1V to 13.2V, n-Channel Hot-Swap Controllers Require No Sense Resistor

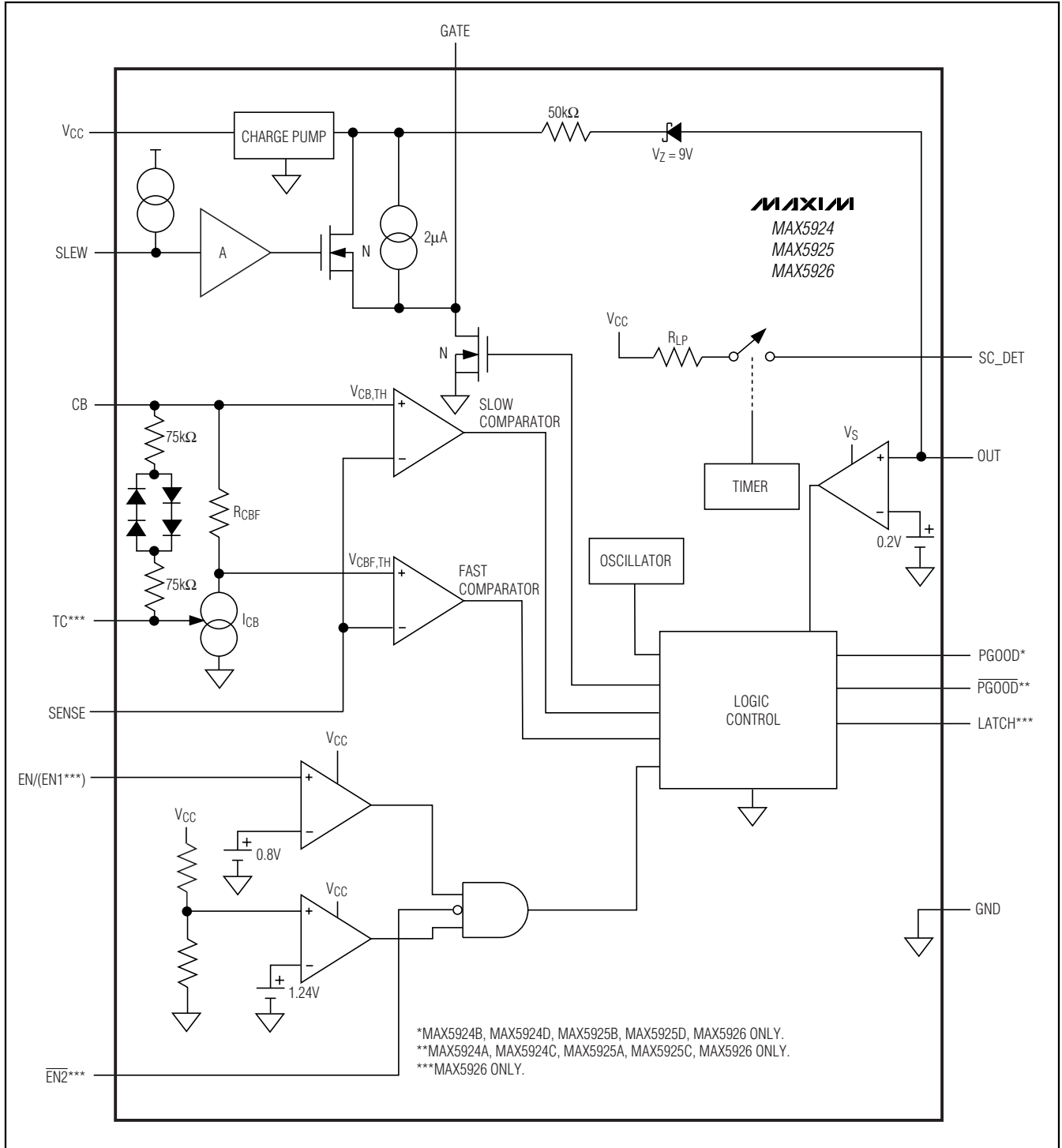


Figure 3. Functional Diagram

# 1V to 13.2V, n-Channel Hot-Swap Controllers Require No Sense Resistor

## Detailed Description

The MAX5924/MAX5925/MAX5926 are hot-swap controller ICs designed for applications where a line card is inserted into a live backplane. Normally, when a line card is plugged into a live backplane, the card's discharged filter capacitors provide a low impedance that can momentarily cause the main power supply to collapse. The MAX5924/MAX5925/MAX5926 are designed to reside either in the backplane or in the removable card to provide inrush current limiting and short-circuit protection. This is achieved using an external n-channel MOSFET and an optional external current-sense resistor.

Several critical parameters can be configured:

- Slew rate (inrush current)
- Circuit-breaker threshold
- Turn-on voltage
- Fault-management mode (MAX5926)
- Circuit-breaker temperature coefficient (MAX5926)

See the *Selector Guide* for a device-specific list of factory-preset features and parameters.

## Startup Mode

It is important that both  $V_{CC}$  and  $V_S$  rise at a minimum rate of 100mV/ms during the critical time when power voltages are below those values required for proper logic control of internal circuitry. This applies for  $0.5V \leq V_{CC} \leq 2.5V$  and  $0.5V \leq V_S \leq 0.8V$ . This is particularly true when LATCH is tied high.

The MAX5924/MAX5925/MAX5926 control an external MOSFET placed in the positive power-supply pathway. When power is first applied, the MAX5924/MAX5925/MAX5926 hold the MOSFET off indefinitely if the supply voltage is below the undervoltage lockout level or if the device is disabled (see the *EN (MAX5924/MAX5925), EN1/EN2 (MAX5926)* section). If neither of these conditions exist, the device enters a UVLO startup delay period for  $\approx 200ms$ . Next, the MAX5924/MAX5925/MAX5926 detect whether an external sense resistor is present; and then autoconfigure accordingly (see Figure 4).

- If no sense resistor is present, bilevel fault protection is disabled and load-probing circuitry is enabled (see the *Load Probing* section).

If load probing is not successful, the fault is managed according to the selected fault management mode (see the *Latched and Auto-Retry Fault Management* section).

If load probing (see the *Load Probing* section) is successful, slew-rate limiting is employed to gradually turn on the MOSFET.

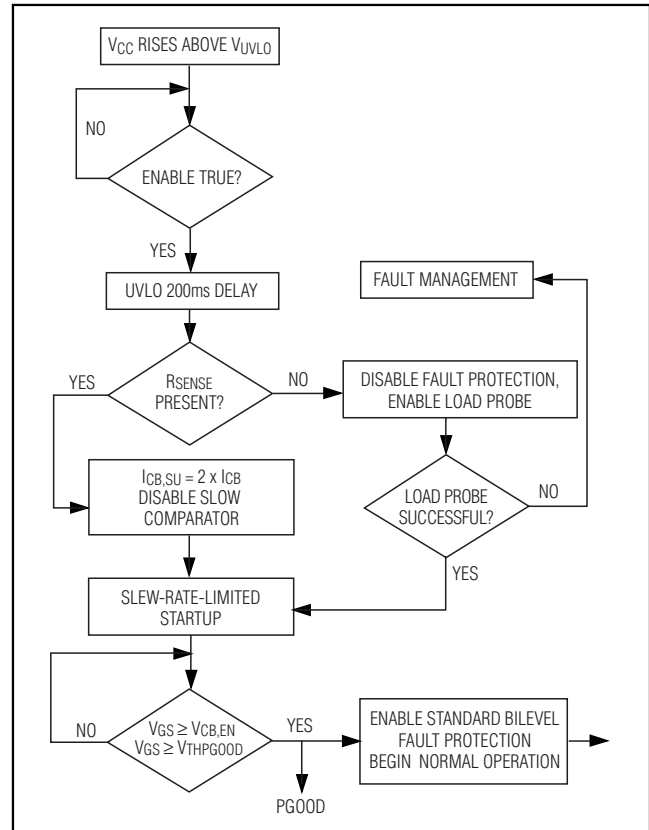


Figure 4. Startup Flow Chart

- If the device detects an external  $R_{SENSE}$ , circuit-breaker threshold is set at  $2 \times I_{CB}$ , the slow comparator is disabled, the startup phase begins without delay for load probing, and slew-rate limiting is employed to gradually turn on the MOSFET.

During the startup phase, the voltage at the load,  $V_{OUT}$ , rises at a rate determined by the selected slew rate (see the *Slew Rate* section). The inrush current,  $I_{INRUSH}$ , to the load is limited to a level proportional to the load capacitance,  $C_L$ , and the slew rate:

$$I_{INRUSH} = \frac{C_L \times SR}{1000}$$

where  $SR$  is the slew rate in V/ms and  $C_L$  is load capacitance in  $\mu F$ .

For operation with and without  $R_{SENSE}$ , once  $V_{GATE} - V_{OUT}$  exceeds  $V_{CB,EN}$ ,  $PGOOD$  and/or  $\overline{PGOOD}$  assert. When  $V_{GATE} - V_{OUT} = V_{CB,EN}$ , the MAX5924/MAX5925/MAX5926 enable standard bilevel fault protection with normal  $I_{CB}$  (see the *Bilevel Fault Protection* section).

# 1V to 13.2V, n-Channel Hot-Swap Controllers Require No Sense Resistor

## Load Probing

The MAX5924/MAX5925/MAX5926 load-probing circuitry detects short-circuit conditions during startup. Load probing is active only when no external R<sub>SENSE</sub> is detected. As the device begins load probing, SC\_DET is connected to V<sub>CC</sub> through an internal switch with an on-resistance of R<sub>LP</sub> (Figure 6). V<sub>CC</sub> then charges the load with a probe current limited at ≈200mA.

$$I_{PROBE} = (V_{CC} - V_{OUT}) / (R_{LP} + R_{SC}) \quad (\text{Figure 1})$$

If the load voltage does not reach V<sub>LP,TH</sub> (0.2V typ) within t<sub>LP</sub>, a short-circuit fault is detected and the startup mode is terminated according to the selected fault-management mode (see the *Fault Management* section and Figure 5). If no fault condition is present, PGOOD/PGOOD\* asserts at the end of the startup period (see the Turn-On Waveforms in the *Typical Operating Characteristics*).

Load probing can only be, and must be, employed when not using an external R<sub>SENSE</sub>.

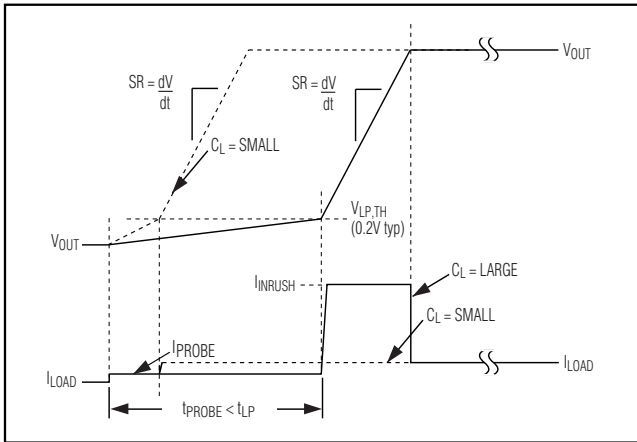


Figure 5. Startup Waveform

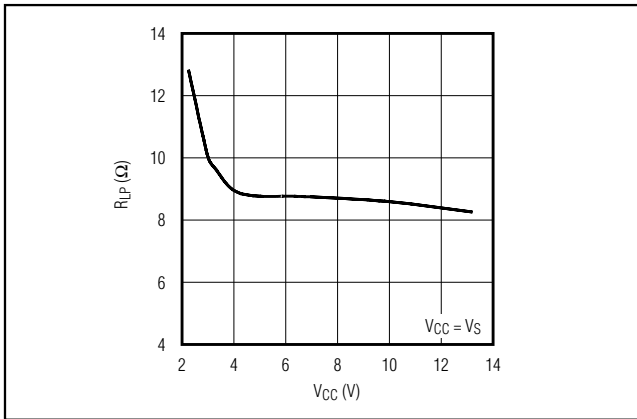


Figure 6. Load-Probe Resistance vs. Supply Voltage

## Normal Operation

In normal operation, after startup is complete, protection is provided by turning off the external MOSFET when a fault condition is encountered. Dual-speed/bilevel fault protection incorporates two comparators with different thresholds and response times to monitor the current:

- 1) Slow comparator. This comparator has a 1.6ms (typ) response time. The slow comparator ignores low-amplitude momentary current glitches. After an extended overcurrent condition, a fault is acknowledged and the MOSFET gate is discharged.
- 2) Fast comparator. This comparator has a quick response time and a higher threshold voltage. The fast comparator turns off the MOSFET immediately when it detects a large high-current event such as a short circuit.

In each case, when a fault is encountered, the power-good output deasserts and the device drives GATE low. After a fault, the MAX5924A, MAX5924B, MAX5925A, and MAX5925B latch GATE low and the MAX5924C, MAX5924D, MAX5925C, and MAX5925D enter the autoretry mode. The MAX5926 has selectable latched or autoretry modes. Figure 7 shows the slow comparator response to an overcurrent fault.

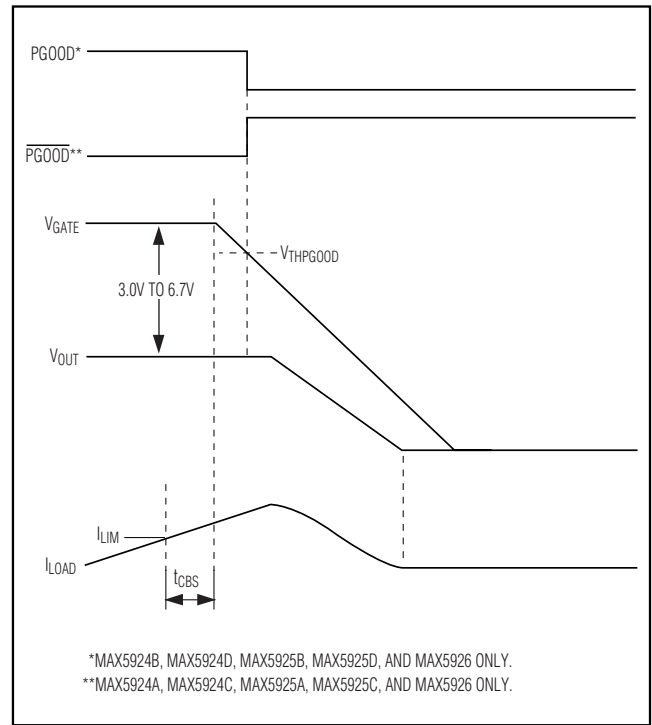


Figure 7. Slow Comparator Response to an Overcurrent Fault

\*MAX5924B, MAX5924D, MAX5925B, MAX5925D, AND MAX5926 ONLY.  
 \*\*MAX5924A, MAX5924C, MAX5925A, MAX5925C, AND MAX5926 ONLY.

# 1V to 13.2V, n-Channel Hot-Swap Controllers Require No Sense Resistor

## Bilevel Fault Protection

### Bilevel Fault Protection in Startup Mode

Bilevel fault protection is disabled in startup mode, and is enabled when  $V_{GATE-VOUT}$  exceeds  $V_{CB,EN}$  at the end of the startup period.

When no  $R_{SENSE}$  is detected, neither slow nor fast comparator is active during startup because the high  $R_{D(ON)}$  of the MOSFET when not fully enhanced would signal an artificially-high  $V_{IN-VSENSE}$  voltage. Load probing prior to startup insures that the output is not short circuited.

When  $R_{SENSE}$  is detected, the slow comparator is disabled during startup while the fast comparator remains active. The overcurrent trip level is higher than normal during the startup period because the  $ICB$  is temporarily doubled to  $ICB,SU$  at this time. This allows higher than normal startup current to allow for output capacitor charging current.

### Slow Comparator

The slow comparator is disabled during startup while the external MOSFET turns on.

If the slow comparator detects an overload condition while in normal operation (after startup is complete), it turns off the external MOSFET by discharging the gate capacitance with  $I_{GATE,PD}$ . The magnitude of  $I_{GATE,PD}$  depends on the external MOSFET gate-to-source voltage,  $V_{GS}$ . The discharge current is strongest immediately following a fault and decreases as the MOSFET gate is discharged (Figure 8a).

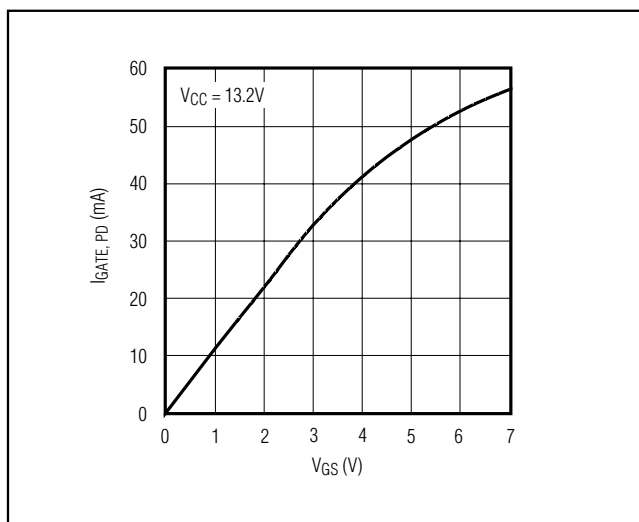


Figure 8a. Gate Discharge Current vs. MOSFET Gate-to-Source Voltage

Table 1. Selecting Fault Management Mode (MAX5926)

LATCH	FAULT MANAGEMENT
Low	Autoretry mode
High	Latched mode

### Fast Comparator

The fast comparator is used for serious current overloads or short circuits. If the load current reaches the fast comparator threshold, the device quickly forces the MOSFET off. The fast comparator has a response time of 280ns, and discharges GATE with  $I_{GATE,PD}$  (Figure 8a). The fast comparator is disabled during startup when no  $R_{SENSE}$  is detected.

### Latched and Autoretry Fault Management

The MAX5924A, MAX5924B, MAX5925A, and MAX5925B latch the external MOSFET off when an overcurrent fault is detected. Following an overcurrent fault, the MAX5924C, MAX5924D, MAX5925C, and MAX5925D enter autoretry mode. The MAX5926 can be configured for either latched or autoretry mode (see Table 1).

In autoretry, a fault turns the external MOSFET off then automatically restarts the device after the autoretry delay,  $t_{RETRY}$ . During the autoretry delay, pull EN or EN1 low to restart the device. In latched mode, pull EN or EN1 low for at least 100 $\mu$ s to clear a latched fault and restart the device.

### Power-Good Outputs

The power-good output(s) are open-drain output(s) that deassert:

- When  $V_{CC} < V_{UVLO}$
- During  $t_{D,UVLO}$
- When  $V_{GS} < V_{THPGOOD}$
- During load probing
- When disabled ( $EN = GND$  (MAX5924/MAX5925),  $EN1 = GND$  or  $\overline{EN2} = high$  (MAX5926))
- During fault management
- During  $t_{RETRY}$  or when latched off (MAX5924A, MAX5924B, MAX5925A, MAX5925B, or MAX5926 (LATCH = low)).

$\overline{PGOOD}/\overline{PGOOD}$  asserts only if the part is in normal mode and no faults are present.

# 1V to 13.2V, n-Channel Hot-Swap Controllers Require No Sense Resistor

## Undervoltage Lockout (UVLO)

UVLO circuitry prevents the MAX5924/MAX5925/MAX5926 from turning on the external MOSFET until  $V_{CC}$  exceeds the UVLO threshold,  $V_{UVLO}$ , for  $t_{D,UVLO}$ . UVLO protects the external MOSFET from insufficient gate-drive voltage, and  $t_{D,UVLO}$  ensures that the board is fully plugged into the backplane and  $V_{CC}$  is stable prior to powering the hot-swapped system. Any input voltage transient at  $V_{CC}$  below the UVLO threshold for more than the UVLO deglitch period,  $t_{DG}$ , resets the device and initiates a startup sequence. Device operation is protected from momentary input-voltage steps extending below the UVLO threshold for a deglitch period,  $t_{DG}$ . However, the power-good output(s) may momentarily deassert if the magnitude of a negative step in  $V_{CC}$  exceeds approximately 0.5V, and  $V_{CC}$  drops below  $V_{UVLO}$ . Operation is unaffected and the power-good output(s) assert(s) within 200 $\mu$ s as shown in Figure 8b. This figure also shows that if the UVLO condition exceeds  $t_{DG} = 900\mu$ s (typ), the power-good output(s) again deassert(s) and the load is disconnected.

## Determining Inrush Current

Determining a circuit's inrush current is necessary to choose a proper MOSFET. The MAX5924/MAX5925/MAX5926 regulate the inrush current by controlling the output-voltage slew rate, but inrush current is also a function of load capacitance. Determine an anticipated inrush current using the following equation:

$$I_{INRUSH}(A) = C_L \frac{dV_{OUT}}{dt \times 1000} = C_L \times SR$$

where  $C_L$  is the load capacitance in  $\mu$ F and SR is the selected MAX5924/MAX5925/MAX5926 output slew rate in V/ms. For example, assuming a load capacitance of 100 $\mu$ F and using the value of SR = 10V/ms, the anticipated inrush current is 1A. If a 16V/ms output slew rate is used, the inrush current increases to 1.6A. Choose SR so the maximum anticipated inrush current does not trip the fast circuit-breaker comparator during startup.

## Slew Rate

The MAX5924/MAX5925/MAX5926 limit the slew rate of  $V_{OUT}$ . Connect an external capacitor,  $C_{SLEW}$ , between SLEW and GND to adjust the slew-rate limit. Floating SLEW sets the maximum slew rate to the minimum value. Calculate  $C_{SLEW}$  using the following equation:

$$C_{SLEW} = 330 \times 10^{-9} / SR$$

where, SR is the desired slew rate in V/ms and  $C_{SLEW}$  is in nF.

This equation is valid for  $C_{SLEW} \geq 100$ nF. For higher SR, see the *Typical Operating Characteristics*.

A 2 $\mu$ A (typ) pullup current clamped to 1.4V causes an initial jump in the gate voltage,  $V_{GATE}$ , if  $C_{GATE}$  is small and the slew rate is slow (Figure 3). Figure 9 illustrates how the addition of gate capacitance minimizes this initial jump.  $C_{GATE}$  should not exceed 25nF.

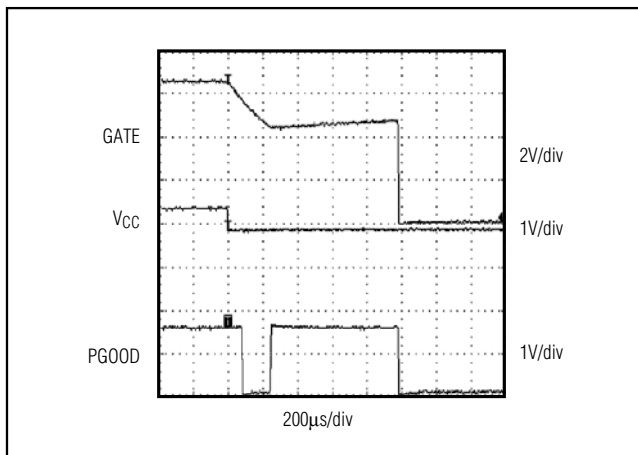


Figure 8b. PGGOOD Behavior with Large Negative Input-Voltage Step when  $V_S$  is Near  $V_{S(MIN)}$

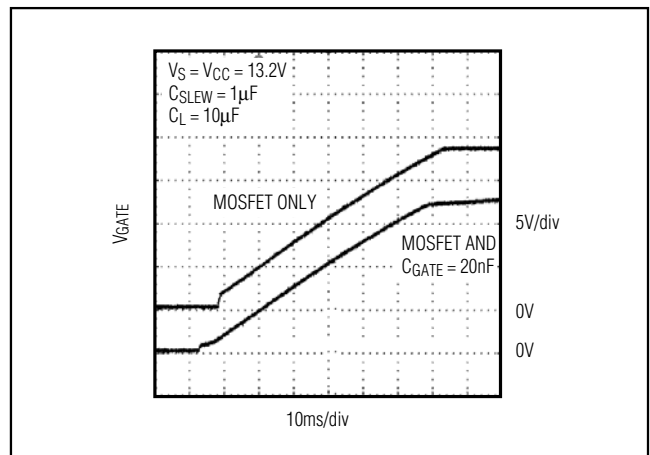


Figure 9. Impact of  $C_{GATE}$  on the  $V_{GATE}$  Waveform

# 1V to 13.2V, n-Channel Hot-Swap Controllers Require No Sense Resistor

## EN (MAX5924/MAX5925), EN1/EN2 (MAX5926)

The enable comparators control the on/off function of the MAX5924/MAX5925/MAX5926. Enable is also used to reset the fault latch in latch mode. Pull EN or EN1 low for 100µs to reset the latch. A resistive divider between EN or EN1, V<sub>S</sub>, and GND sets the programmable turn-on voltage to a voltage greater than V<sub>UVLO</sub> (Figure 10).

### Selecting a Circuit-Breaker Threshold

The MAX5924/MAX5925/MAX5926 offer a circuit-breaker function to protect the external MOSFET and the load from the potentially damaging effects of excessive cur-

rent. As load current flows through R<sub>DS(ON)</sub> (Figure 12) or R<sub>SENSE</sub> (Figure 13), a voltage drop is generated. After V<sub>GS</sub> exceeds V<sub>CB,EN</sub>, the MAX5924/MAX5925/MAX5926 monitor this voltage to detect overcurrent conditions. If this voltage exceeds the circuit-breaker threshold, the external MOSFET turns off and the power-good output(s) deassert(s). To accommodate different MOSFETs, sense resistors, and load currents, the MAX5924/MAX5925/MAX5926 voltage across R<sub>CB</sub> can be set between 10mV and 500mV. The value of the circuit-breaker voltage must be carefully selected based on V<sub>S</sub> (Figure 11).

### No R<sub>SENSE</sub> Mode

When operating without R<sub>SENSE</sub>, calculate the circuit-breaker threshold using the MOSFET's R<sub>DS(ON)</sub> at the worst possible operating condition, and add a 20% overcurrent margin to the maximum circuit current. For example, if a MOSFET has an R<sub>DS(ON)</sub> of 0.06Ω at T<sub>A</sub> = +25°C, and a normalized on-resistance factor of 1.75 at T<sub>A</sub> = +105°C, the R<sub>DS(ON)</sub> used for calculation is the product of these two numbers, or (0.06Ω) × (1.75) = 0.105Ω. Then, if the maximum current is expected to be 2A, using a 20% margin, the current for calculation is (2A) × (1.2) = 2.4A. The resulting minimum circuit-breaker threshold is then a product of these two numbers, or (0.105Ω) × (2.4A) = 0.252V. Using this method to choose a circuit-breaker threshold allows the circuit to operate under worst-case conditions without causing a circuit-breaker fault, but the circuit-breaker function will still detect a short circuit or a gross overcurrent condition.

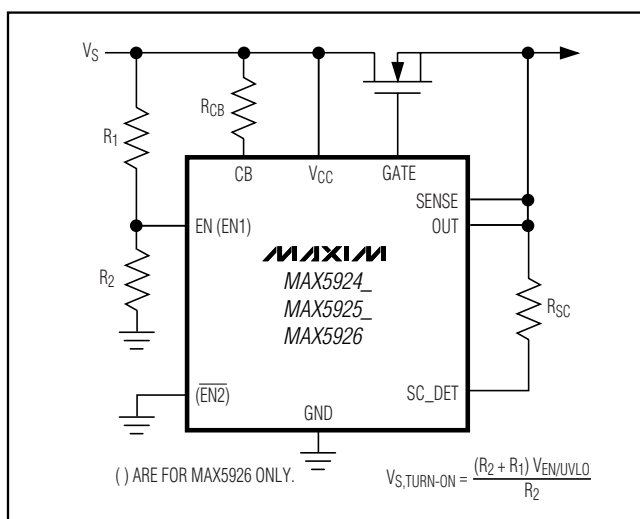


Figure 10. Adjustable Turn-On Voltage

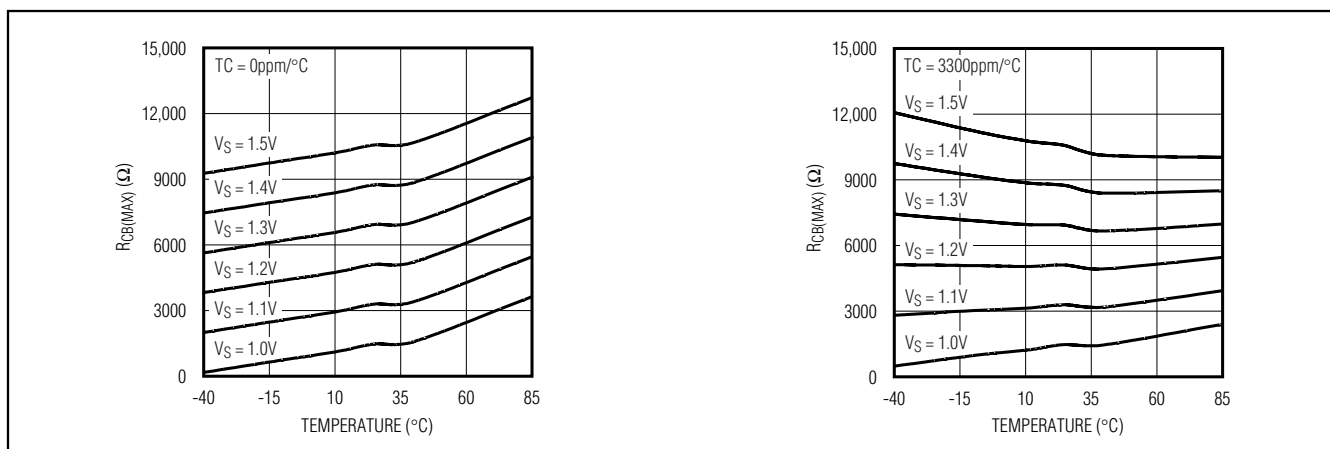


Figure 11. Maximum Circuit-Breaker Programming Resistor vs. Temperature

# 1V to 13.2V, n-Channel Hot-Swap Controllers Require No Sense Resistor

To determine the proper circuit-breaker resistor value use the following equation, which refers to Figure 12:

$$R_{CB} = \frac{(I_{TRIP\ SLOW} \times R_{DS(ON)(T)}) + |V_{CB,OS}|}{I_{CB}}$$

where  $I_{TRIP\ SLOW}$  is the desired slow-comparator trip current.

The fast-comparator trip current is determined by the selected  $R_{CB}$  value and cannot be adjusted independently. The fast-comparator trip current is given by:

$$I_{TRIP\ FAST} = \frac{I_{CB} \times (R_{CBF} + R_{CB}) \pm V_{CB,OS}}{R_{DS(ON)(T)}}$$

SC\_DET must be connected to OUT through the selected RSC when not using  $R_{SENSE}$ .

### RSENSE Mode

When operating with  $R_{SENSE}$ , calculate the circuit-breaker threshold using the worst possible operating conditions, and add a 20% overcurrent margin to the maximum circuit current. For example, with a maximum expected current of 2A, using a 20% margin, the current for calculation is  $(2A) \times (1.2) = 2.4A$ . The resulting

minimum circuit-breaker threshold is then a product of this current and  $R_{SENSE} = 0.06\Omega$ , or  $(0.06\Omega) \times (2.4A) = 0.144V$ . Using this method to choose a false circuit-breaker threshold allows the circuit to operate under worst-case conditions without causing a circuit-breaker fault, but the circuit-breaker function will still detect a short-circuit or a gross overcurrent condition.

To determine the proper circuit-breaker resistor value, use the following equation, which refers to Figure 13:

$$R_{CB} = \frac{(I_{TRIP\ SLOW} \times R_{SENSE}) + |V_{CB,OS}|}{I_{CB}}$$

where,  $I_{TRIP\ SLOW}$  is the desired slow-comparator trip current.

The fast-comparator trip current is determined by the selected  $R_{CB}$  value and cannot be adjusted independently. The fast-comparator trip current is given by:

$$I_{TRIP\ FAST} = \frac{I_{CB} \times (R_{CBF} + R_{CB}) \pm V_{CB,OS}}{R_{SENSE}}$$

SC\_DET should be connected to  $V_{CC}$  when using  $R_{SENSE}$ .

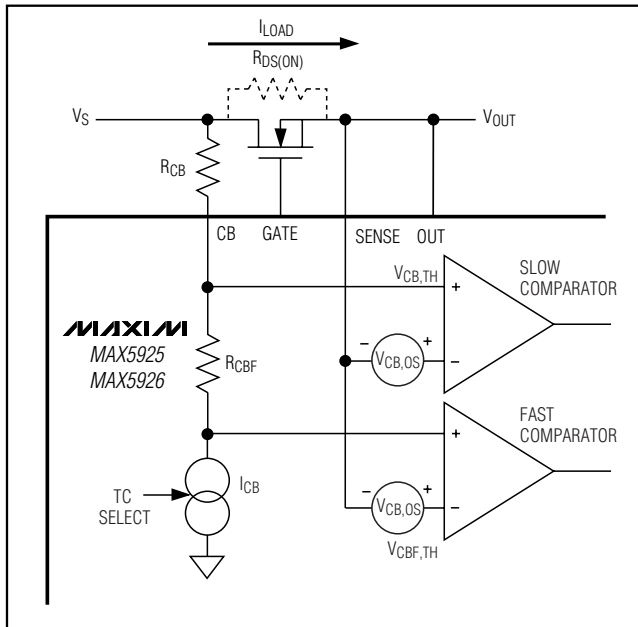


Figure 12. Circuit Breaker Using  $R_{DS(ON)}$

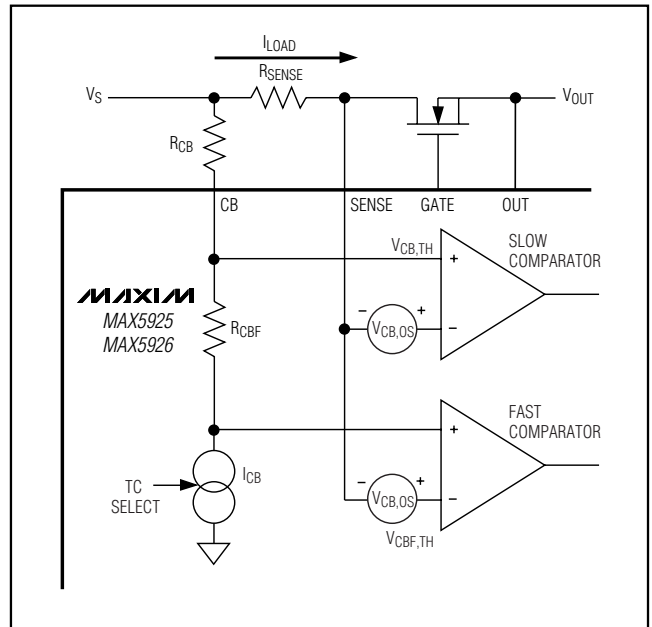


Figure 13. Circuit Breaker Using  $R_{SENSE}$



# 1V to 13.2V, n-Channel Hot-Swap Controllers Require No Sense Resistor

MAX5924/MAX5925/MAX5926

## Circuit-Breaker Temperature Coefficient

In applications where the external MOSFET's on-resistance is used as a sense resistor to determine overcurrent conditions, a 3300ppm/°C temperature coefficient is desirable to compensate for the  $R_{DS(ON)}$  temperature coefficient. Use the MAX5926's TC input to select the circuit-breaker programming current's temperature coefficient,  $TC_{ICB}$  (see Table 2). The MAX5924 temperature coefficient is preset to 0ppm/°C, and the MAX5925's is preset to 3300ppm/°C.

Setting  $TC_{ICB}$  to 3300ppm/°C allows the circuit-breaker threshold to track and compensate for the increase in the MOSFET's  $R_{DS(ON)}$  with increasing temperature. Most MOSFETs have a temperature coefficient within a 3000ppm/°C to 7000ppm/°C range. Refer to the MOSFET data sheet for a device-specific temperature coefficient.

$R_{DS(ON)}$  and  $I_{CB}$  are temperature dependent, and can therefore be expressed as functions of temperature. At a given temperature, the MAX5925/MAX5926 indicate an overcurrent condition when:

$$I_{TRIPSLow} \times R_{DS(ON)}(T) \geq I_{CB}(T) \times R_{CB} + |V_{CB,OS}|$$

where  $V_{CB,OS}$  is the worst-case offset voltage. Figure 14 graphically portrays operating conditions for a MOSFET with a 4500ppm/°C temperature coefficient.

## Applications Information

### Component Selection

#### n-Channel MOSFET

Most circuit component values may be calculated with the aid of the MAX5924–MAX5926. The "Design calculator for choosing component values" software can be downloaded from the MAX5924–MAX5926 Quickview on the Maxim website.

Select the external n-channel MOSFET according to the application's current and voltage level. Table 3 lists some recommended components. Choose the MOSFET's on-resistance,  $R_{DS(ON)}$ , low enough to have a minimum voltage drop at full load to limit the MOSFET power dissipation. High  $R_{DS(ON)}$  can cause undesired power loss and output ripple if the board has pulsing loads or triggers an external undervoltage reset monitor at full load. Determine the device power-rating requirement to accommodate a short circuit on the board at startup with the device configured in autoretry mode.

Using the MAX5924/MAX5925/MAX5926 in latched mode allows the consideration of MOSFETs with higher  $R_{DS(ON)}$  and lower power ratings. A MOSFET can typically with-

Table 2. Programming the Temperature Coefficient (MAX5926)

TC	$TC_{ICB}$ (ppm/°C)
High	0
Low	3300

Table 3. Suggested External MOSFETs

APPLICATION CURRENT (A)	PART	DESCRIPTION
1	International Rectifier IRF7401	SO-8
2	Siliconix Si4378DY	SO-8
5	Siliconix SUD40N02-06	DPAK
10	Siliconix SUB85N02-03	D2PAK

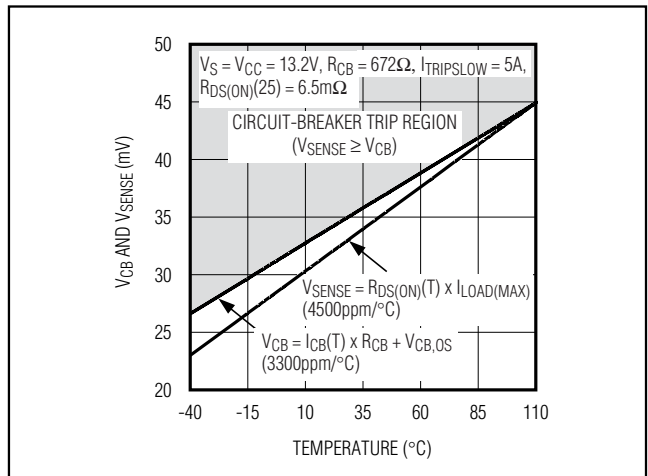


Figure 14. Circuit-Breaker Trip Point and Current-Sense Voltage vs. Temperature

stand single-shot pulses with higher dissipation than the specified package rating. Low MOSFET gate capacitance is not necessary since the inrush current limiting is achieved by limiting the gate  $dv/dt$ . Table 4 lists some recommended manufacturers and components.

Be sure to select a MOSFET with an appropriate gate drive (see the *Typical Operating Characteristics*). Typically, for  $V_{CC}$  less than 3V, select a 2.5V  $V_{GS}$  MOSFET.

# 1V to 13.2V, n-Channel Hot-Swap Controllers Require No Sense Resistor

**Table 4. Component Manufacturers**

COMPONENT	MANUFACTURER	PHONE	WEBSITE
Sense Resistors	Dale-Vishay	402-564-3131	www.vishay.com
	IRC	828-264-8861	www.irctt.com
MOSFETs	Fairchild	888-522-5372	www.fairchildsemi.com
	International Rectifier	310-233-3331	www.irf.com

### Optional Sense Resistor

Select the sense resistor in conjunction with  $R_{CB}$  to set the slow and fast circuit-breaker thresholds (see the *Selecting a Circuit-Breaker Threshold* section). The sense-resistor power dissipation depends on the device configuration. If latched mode is selected,  $PR_{SENSE} = (I_{OVERLOAD})^2 \times R_{SENSE}$ ; if autoretry is selected, then  $PR_{SENSE} = (I_{OVERLOAD})^2 \times R_{SENSE} \times (t_{ON}/t_{RETRY})$ . Choose a sense-resistor power rating of twice the  $PR_{SENSE}$  for long-term reliable operation. In addition, ensure that the sense resistor has an adequate  $I^2T$  rating to survive instantaneous short-circuit conditions.

### No-Load Operation

The internal circuitry is capable of sourcing a current at the OUT terminal of up to  $120\mu A$  from a voltage  $V_{IN} + V_{GS}$ . If there is no load on the circuit, the output capacitor will charge to a voltage above  $V_{IN}$  until the external MOSFET's body diode conducts to clamp the capacitor voltage at  $V_{IN}$  plus the body-diode  $V_F$ . When testing or operating with no load, it is therefore recommended that the output capacitor be paralleled with a resistor of value:

$$R = V_X / 120\mu A$$

where  $V_X$  is the maximum acceptable output voltage prior to hot-swap completion.

### Design Procedure

Given:

- $V_{CC} = V_S = 5V$
- $C_L = 150\mu F$
- Full-Load Current = 5A
- No  $R_{SENSE}$
- $I_{INRUSH} = 500mA$

Procedures:

- 1) Calculate the required slew rate and corresponding  $C_{SLEW}$ :

$$SR = \frac{I_{INRUSH}}{1000 \times C_L} = 3.3 \frac{V}{ms}$$

$$C_{SLEW} = \frac{330 \times 10^{-9}}{SR} = \frac{330 \times 10^{-9}}{3.3 \frac{V}{ms}} = 0.1\mu F$$

- 2) Select a MOSFET and determine the worst-case power dissipation.
- 3) Minimize power dissipation at full load current and at high temperature by selecting a MOSFET with an appropriate  $R_{DS(ON)}$ . Assume a  $20^\circ C$  temperature difference between the MAX5924/MAX5925/MAX5926 and the MOSFET.

For example, at room temperature the IRF7822's  $R_{DS(ON)} = 6.5m\Omega$ . The temperature coefficient for this device is  $4000ppm/^\circ C$ . The maximum  $R_{DS(ON)}$  for the MOSFET at  $T_J(MOSFET) = +105^\circ C$  is:

$$R_{DS(ON)105} = 6.5m\Omega \times \left( 1 + (105^\circ C - 25^\circ C) \times 4000 \frac{ppm}{^\circ C} \right) = 8.58m\Omega$$

The power dissipation in the MOSFET at full load is:

$$P_D = I^2 R = (5A)^2 \times 8.58m\Omega = 215mW$$

- 4) Select  $R_{CB}$ .

Since the MOSFET's temperature coefficient is  $4000ppm/^\circ C$ , which is greater than  $TC_{ICB}$  ( $3300ppm/^\circ C$ ), calculate the circuit-breaker threshold at high temperature so the circuit breaker is guaranteed not to trip at lower temperature during normal operation (Figure 15).

$$I_{TRIPSLow} = I_{FULL\ LOAD} + 20\% = 5A + 20\% = 6A$$

$$R_{DS(ON)105} = 8.58m\Omega \text{ (max), from step 2}$$

$$I_{CB85} = 58\mu A \times (1 + (3300ppm/^\circ C \times (85 - 25)^\circ C)) = 69.5\mu A \text{ (min)}$$

$$R_{CB} = \frac{(I_{TRIPSLow} \times R_{DS(ON)105}) + |V_{CB,OS}|}{I_{CB85}}$$

$$R_{CB} = ((6A \times 8.58m\Omega) + 4.7mV) / 69.5\mu A = 808\Omega$$

# 1V to 13.2V, n-Channel Hot-Swap Controllers Require No Sense Resistor

## Layout Considerations

Keep all traces as short as possible and maximize the high-current trace dimensions to reduce the effect of undesirable parasitic inductance. Place the MAX5924/MAX5925/MAX5926 close to the card's connector. Use a ground plane to minimize impedance and inductance. Minimize the current-sense resistor trace length (<10mm), and ensure accurate current sensing with Kelvin connections.

When the output is short circuited, the voltage drop across the external MOSFET becomes large. Hence, the power dissipation across the switch increases, as does the die temperature. An efficient way to achieve good power dissipation on a surface-mount package is to lay out two copper pads directly under the MOSFET package on both sides of the board. Connect the two pads to the ground plane through vias, and use enlarged copper mounting pads on the top side of the board.

It is important to maximize the thermal coupling between the MOSFET and the MAX5925/MAX5926 to balance the device junction temperatures. When the temperatures of

the two devices are equal, the circuit-breaker trip threshold is most accurate. Keep the MOSFET and the MAX5925/MAX5926 as close to each other as possible to facilitate thermal coupling.

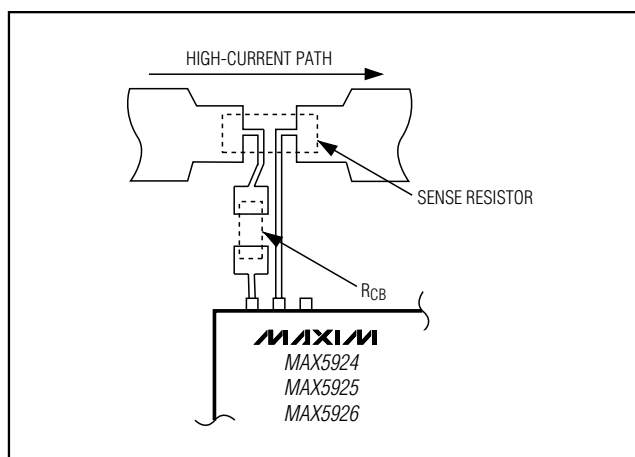


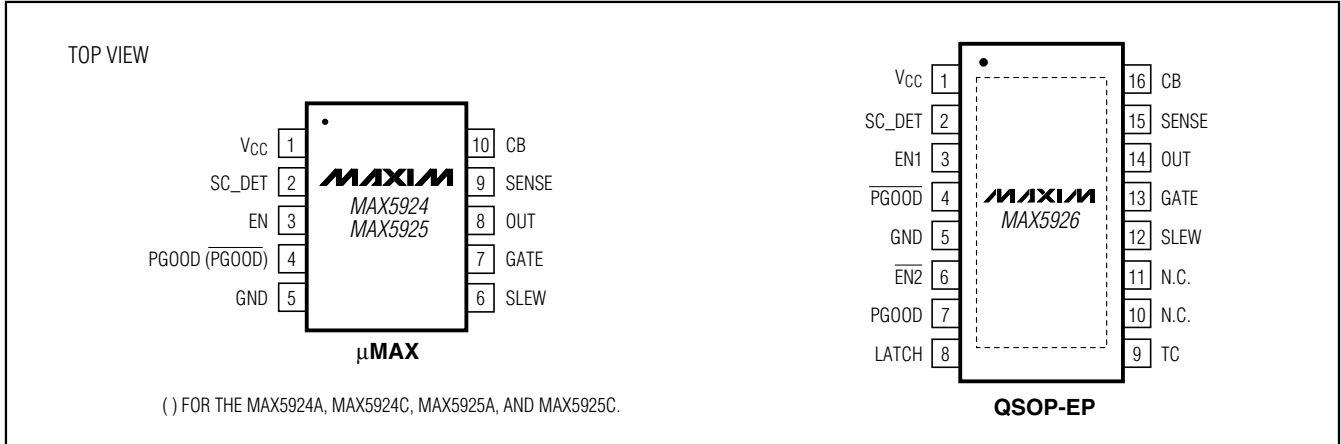
Figure 15. Kelvin Connection for the Current-Sense Resistor

## Selector Guide

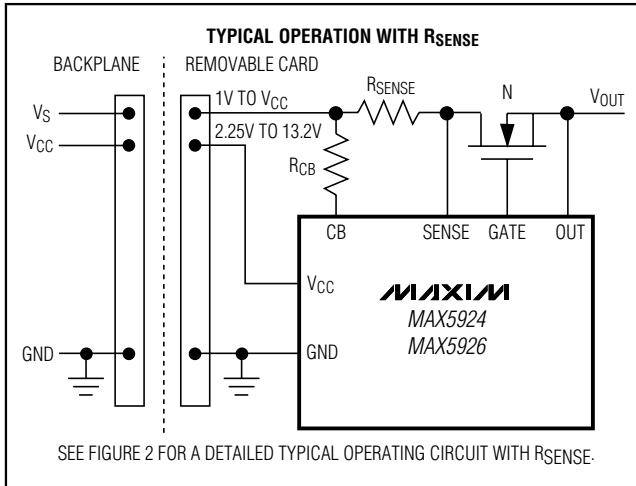
PART	CIRCUIT-BREAKER TEMPCO (ppm/°C)	FAULT MANAGEMENT	POWER-GOOD OUTPUT	
			PGOOD (OPEN-DRAIN)	PGOOD (OPEN-DRAIN)
MAX5924A	0	Latched	✓	—
MAX5924B	0	Latched	—	✓
MAX5924C	0	Autoretry	✓	—
MAX5924D	0	Autoretry	—	✓
MAX5925A	3300	Latched	✓	—
MAX5925B	3300	Latched	—	✓
MAX5925C	3300	Autoretry	✓	—
MAX5925D	3300	Autoretry	—	✓
MAX5926	0 or 3300 (Selectable)	Latched or Autoretry (Selectable)	✓	✓

# 1V to 13.2V, n-Channel Hot-Swap Controllers Require No Sense Resistor

## Pin Configurations



## Typical Operating Circuits (continued)



## Chip Information

TRANSISTOR COUNT: 3751  
 PROCESS: BiCMOS

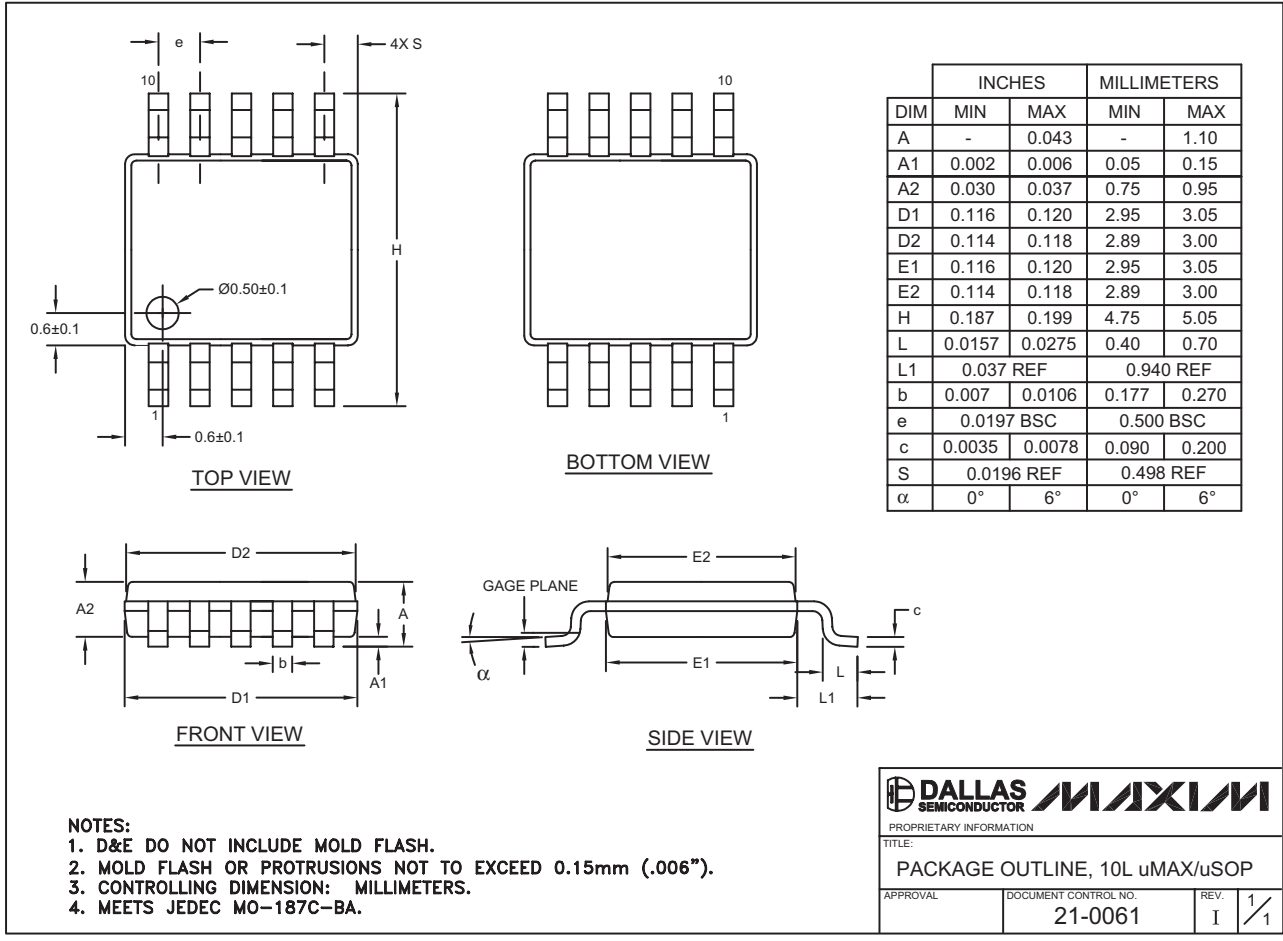
# 1V to 13.2V, n-Channel Hot-Swap Controllers Require No Sense Resistor

## Package Information

(The package drawing(s) in this data sheet may not reflect the most current specifications. For the latest package outline information, go to [www.maxim-ic.com/packages](http://www.maxim-ic.com/packages).)

MAX5924/MAX5925/MAX5926

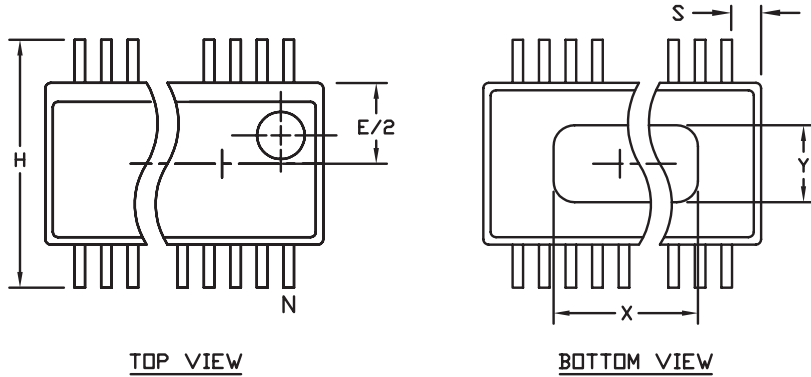
10LUMAX.EPS



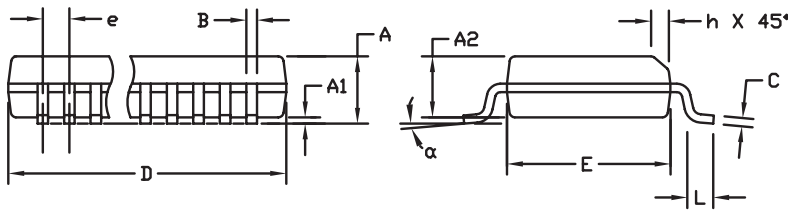
# 1V to 13.2V, n-Channel Hot-Swap Controllers Require No Sense Resistor

## Package Information (continued)

(The package drawing(s) in this data sheet may not reflect the most current specifications. For the latest package outline information, go to [www.maxim-ic.com/packages](http://www.maxim-ic.com/packages).)



DIM	INCHES		MILLIMETERS	
	MIN	MAX	MIN	MAX
A	.055	.065	1.40	1.65
A1	.000	.004	.000	.102
A2	.055	.061	1.40	1.55
B	.008	.012	0.20	0.30
C	.0075	.0098	0.191	0.249
D	.189	.196	4.80	4.98
E	.150	.157	3.81	3.99
e	.025 BSC		0.635 BSC	
H	.230	.244	5.84	6.20
h	.010	.016	0.25	0.41
L	.016	.035	0.41	0.89
N	16		16	
S	.002	.007	.050	.180
X	SEE VARIATIONS			
Y	SEE VARIATIONS			
α	0°	8°	0°	8°



### VARIATIONS:

	INCHES		MILLIMETERS		PKG.
	MIN.	MAX.	MIN.	MAX.	
X	.086	.106	2.19	2.69	E16E-9
Y	.080	.100	2.04	2.54	
X	.080	.100	2.04	2.54	E16E-10
Y	.120	.140	3.05	3.55	

### NOTES:

1. D & E DO NOT INCLUDE MOLD FLASH OR PROTRUSIONS.
2. MOLD FLASH OR PROTRUSIONS NOT TO EXCEED .006" PER SIDE.
3. DIMENSIONS X AND Y APPLY ONLY TO EXPOSED PAD QSOPT PACKAGES.
4. CONTROLLING DIMENSIONS: INCHES.

PROPRIETARY INFORMATION TITLE: PACKAGE OUTLINE, 16L QSOPT, .150" EXPOSED PAD	
APPROVAL	DOCUMENT CONTROL NO. 21-0112
REV. C	1/1

## Revision History

Pages changed at Rev 1: 1-13, 15-18,  
Title change—all pages.

Pages changed at Rev 2: 1-4, 10-12

Maxim cannot assume responsibility for use of any circuitry other than circuitry entirely embodied in a Maxim product. No circuit patent licenses are implied. Maxim reserves the right to change the circuitry and specifications without notice at any time.

22 **Maxim Integrated Products, 120 San Gabriel Drive, Sunnyvale, CA 94086 408-737-7600**