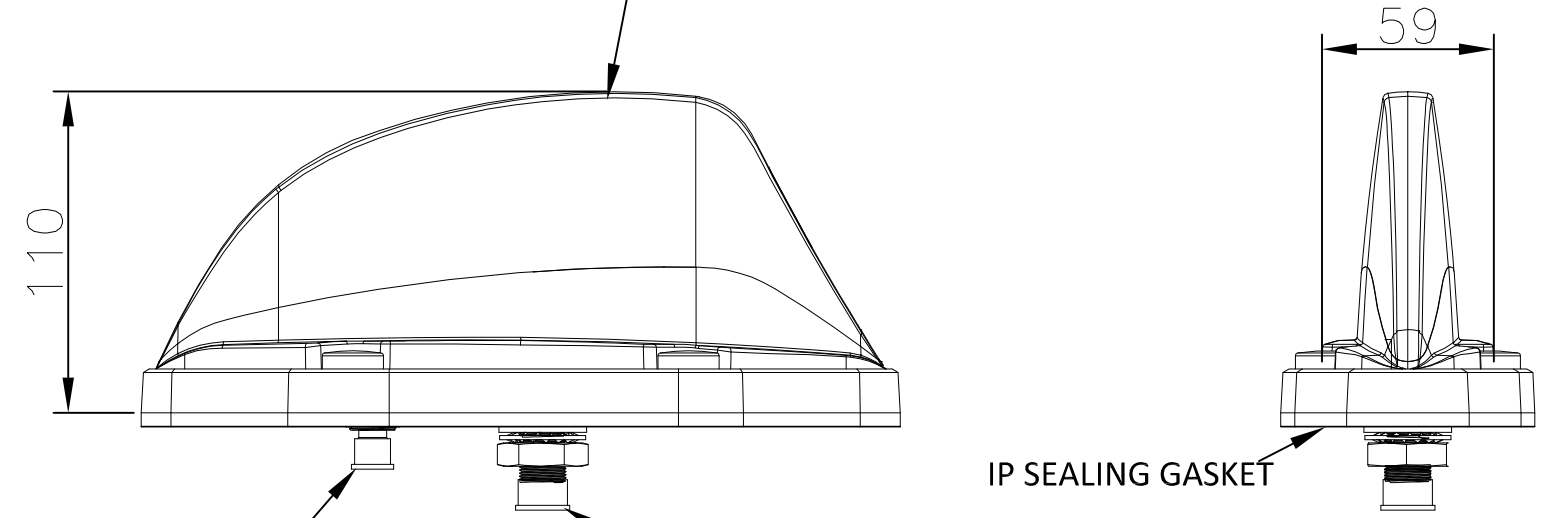


THIS DRAWING IS UNPUBLISHED. RELEASED FOR PUBLICATION FEB ,2006.
 © COPYRIGHT 2006 By - ALL RIGHTS RESERVED.

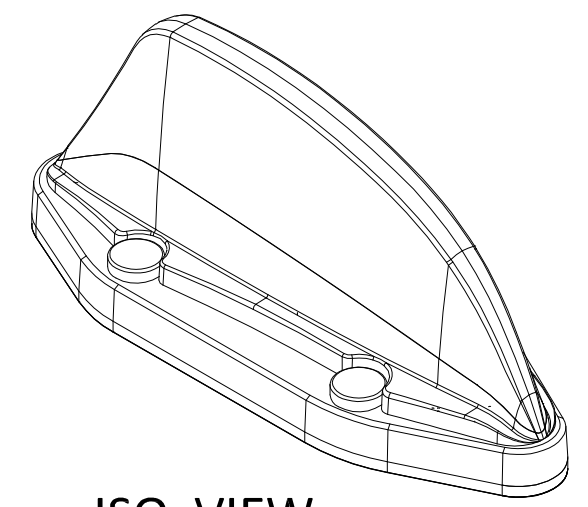
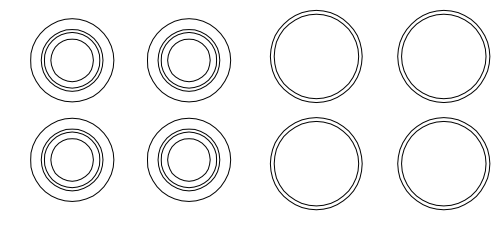
PROJECT	PRJ-16-000906992
PART NO	1-2823594-1
HV DESC	SiSo with GPS/GNSS,698-960/1710-6000 MHz
CUSTOMER	GENERAL MARKET

P	LTR	DESCRIPTION	DATE	DWN	APVD
	A1	ECR-16-007284	20MAY2016	GG	GG

**BLACK UL TEM PEI 1000 COVER:HIGH IMPACT,UV STABILIZED,
 FLAME RETARDANT UL94-V0 ZERO HALOGEN**



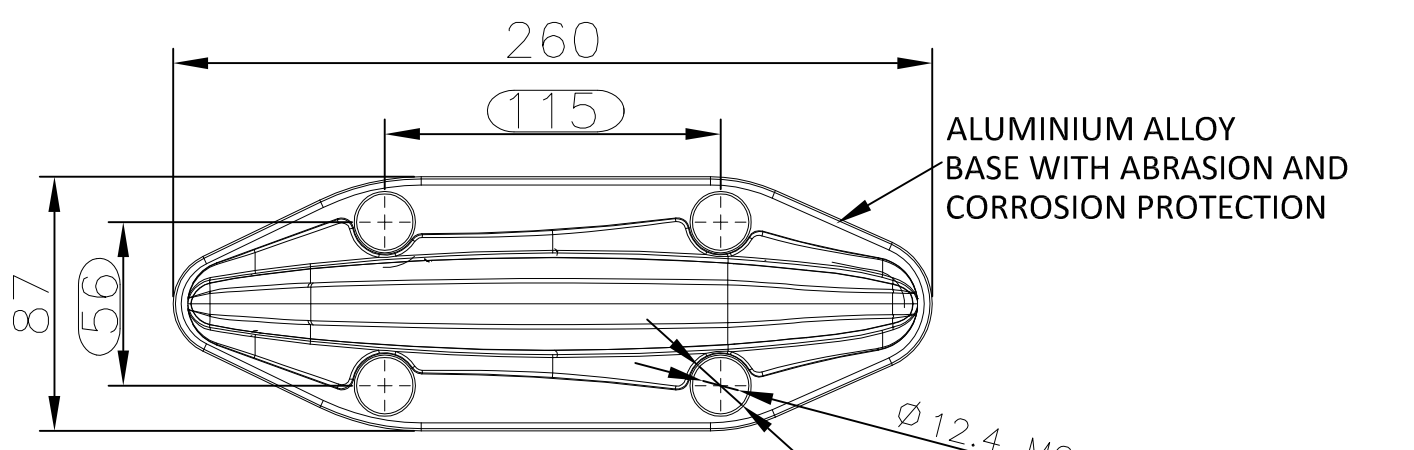
**4 X M12 SEALING
 WASHERS AND BOLT
 CAPS SUPPLIED LOOSE**



ISO VIEW

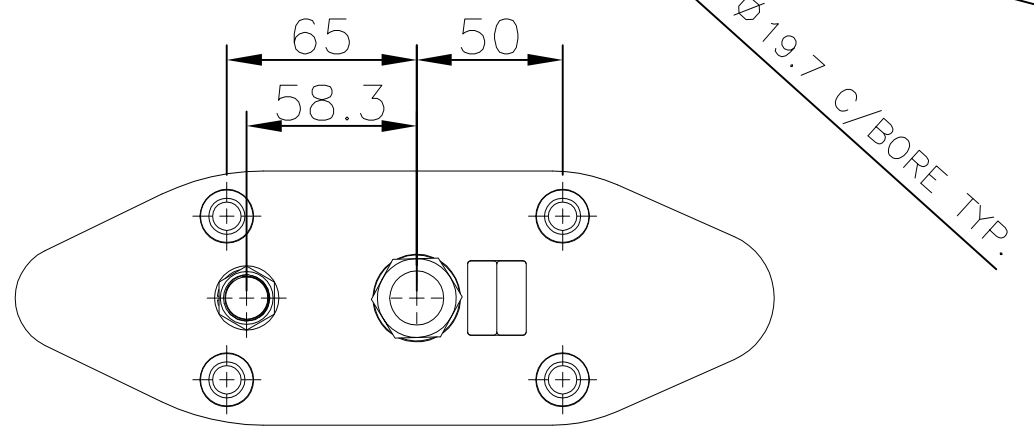
**TNC SOCKET
 GPS/GNSS SURGE PROTECTION.
 PROTECTIVE CAP SUPPLIED.**

**N-TYPE SOCKET DC GROUNDED
 PROTECTIVE CAP SUPPLIED**



NOTES:

1. ALL PARTS MUST BE RoHS COMPLIANT AND MUST NOT CONTAIN ANY SUBSTANCES OF VERY HIGH CONCERN (SVHCs) LISTED UNDER REACH OR POLYAROMATIC HYDRACARBONS (PAHs) OR PERSISTENT ORGANIC POLLUTANTS (POPs) CONTROLLED BY THE STOCKHOLM CONVENTION.
2. DENOTES CRITICAL DIMENSION
3. WEIGHT 1107 g (Approx).
4. FOR INSTALLATION INSTRUCTIONS,PLEASE REFER 408-156026



THIS DRAWING IS A CONTROLLED DOCUMENT.		DWN	GUNA	04MAR2016	STE TE Connectivity		
		CHK	GUNA	04MAR2016			
DIMENSIONS: mm		TOLERANCES UNLESS OTHERWISE SPECIFIED:			NAME		
		0 PLC	± 5	TRANSIT ANTENNA			
		1 PLC	± -	SiSo with GPS/GNSS,698-960/1710-6000 MHz			
		2 PLC	± -	SIZE			
		3 PLC	± -	CAGE CODE			
		4 PLC	± -	DRAWING NO			
		ANGLES	± -	RESTRICTED TO			
MATERIAL		FINISH	-	A3 00779 C-2823594			
				CUSTOMER DRAWING			
				SCALE		SHEET	
				NTS		1 OF 1	
						REV	
						A1	