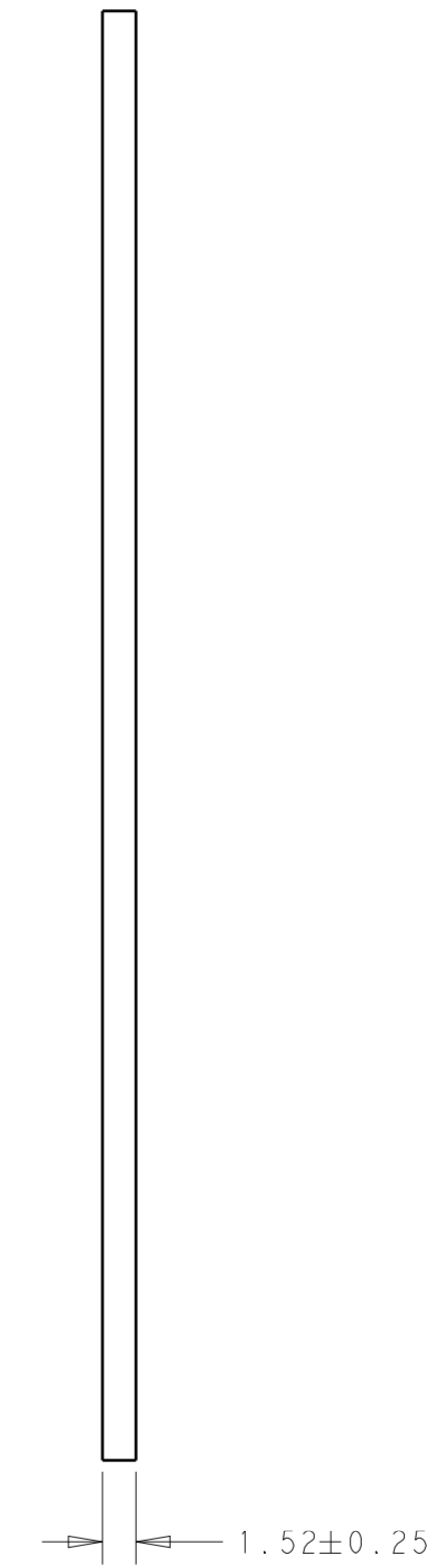
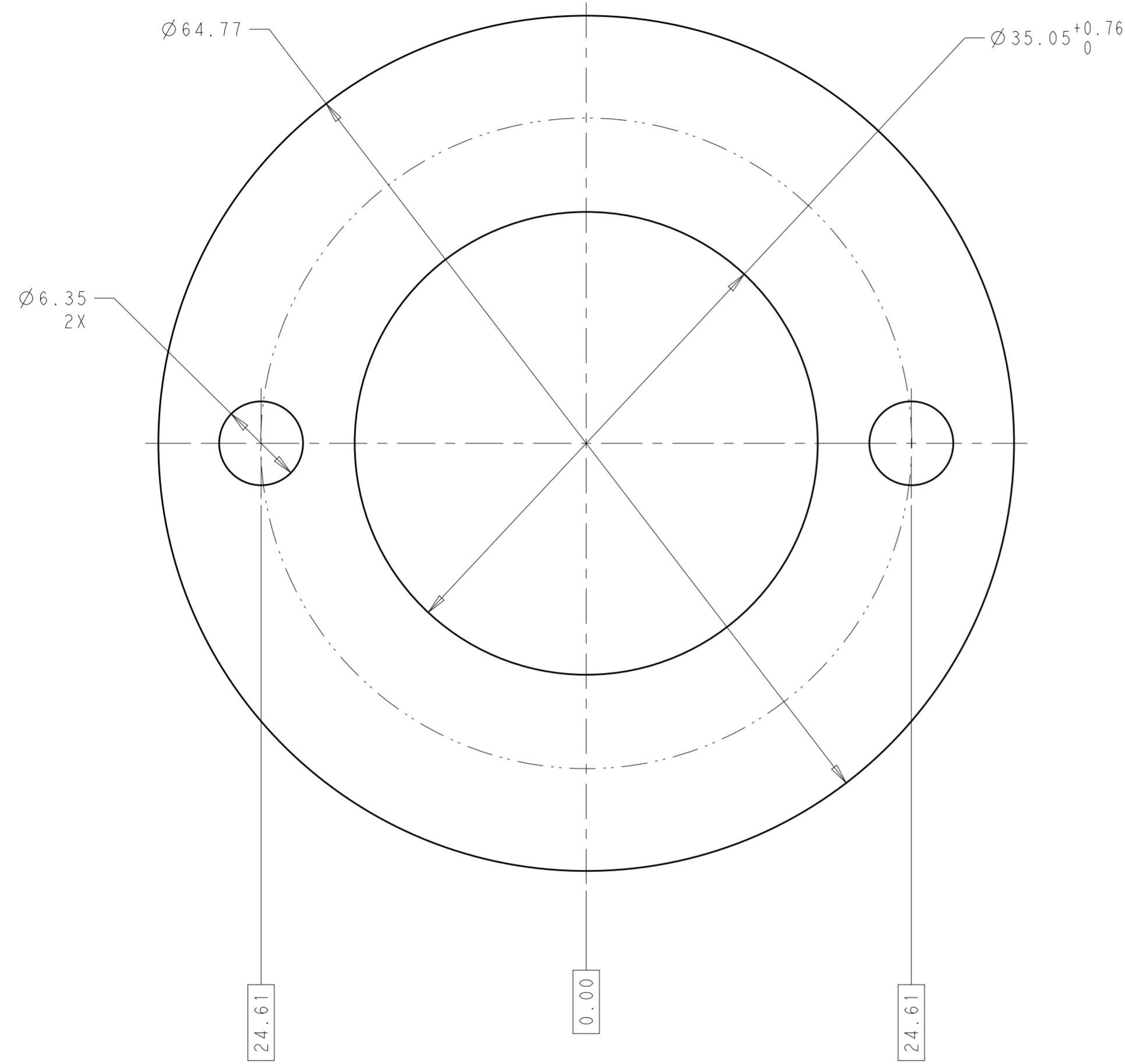


THIS DRAWING IS UNPUBLISHED. RELEASED FOR PUBLICATION 20
 © COPYRIGHT 20 BY - ALL RIGHTS RESERVED.

REVISIONS				
P	LTR	DESCRIPTION	DATE	APVD
A		REVISED PER ECR-15-006734	12MAY2015	RS DD
B		REVISED PER ECR-17-012706	31AUG2017	RK PO



- NOTES:
- 1. MATERIAL: CORK/RUBBER COMPOSITE.
 - 2. PACKAGE 100 PIECES PER POLYBAG.

2213469-1
PART NO.

THIS DRAWING IS A CONTROLLED DOCUMENT.		DWN J. SHAFFER 19DEC2013	TE Connectivity	
DIMENSIONS: mm		CHK E. HOWARD 19DEC2013		
TOLERANCES UNLESS OTHERWISE SPECIFIED:		APVD E. HOWARD 19DEC2013	NAME GASKET, DIMMING RECEPTACLE	
0 PLC	±	PRODUCT SPEC	SIZE	CAGE CODE
1 PLC	±	APPLICATION SPEC	A2	-
2 PLC	±0.38	WEIGHT	SCALE	DRAWING NO.
3 PLC	±	Customer Drawing	1:1	C-2213469
4 PLC	±		SHEET	OF
ANGLES	±		1	1
FINISH	-		REV	B