

Customer Information Sheet

DRAWING No.: S7251-45R

IF IN DOUBT - ASK

©

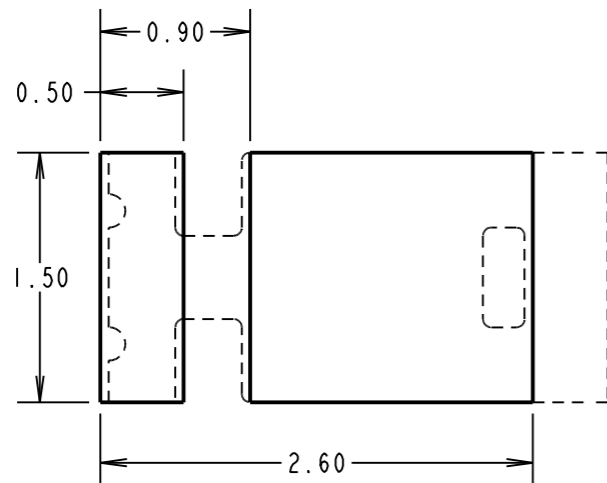
NOT TO SCALE

THIRD ANGLE PROJECTION

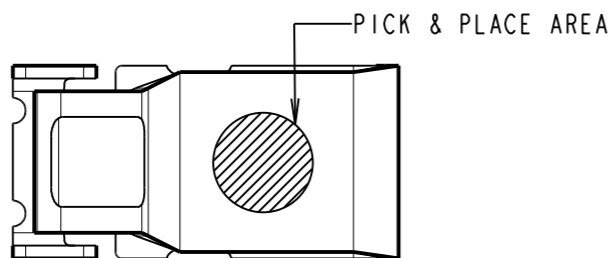
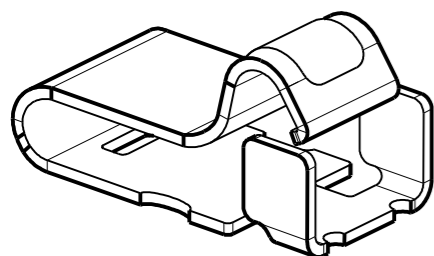
ALL DIMENSIONS IN mm

NOTES:

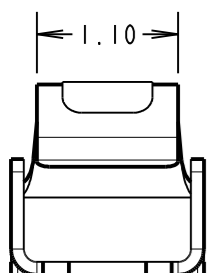
1. QUANTITY PER REEL = 8,000.
2. THIS PRODUCT IS TAPED AND REELED IN GENERAL ACCORDANCE WITH EIA-481-2 (ELECTRONICS INDUSTRIES ASSOCIATION).



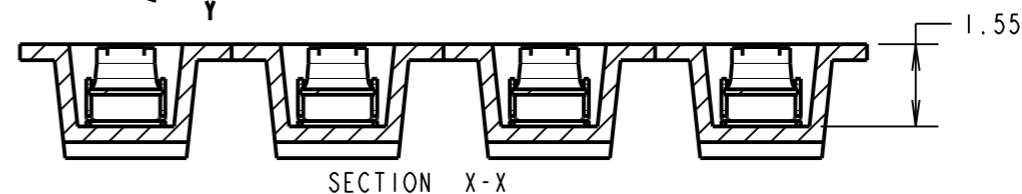
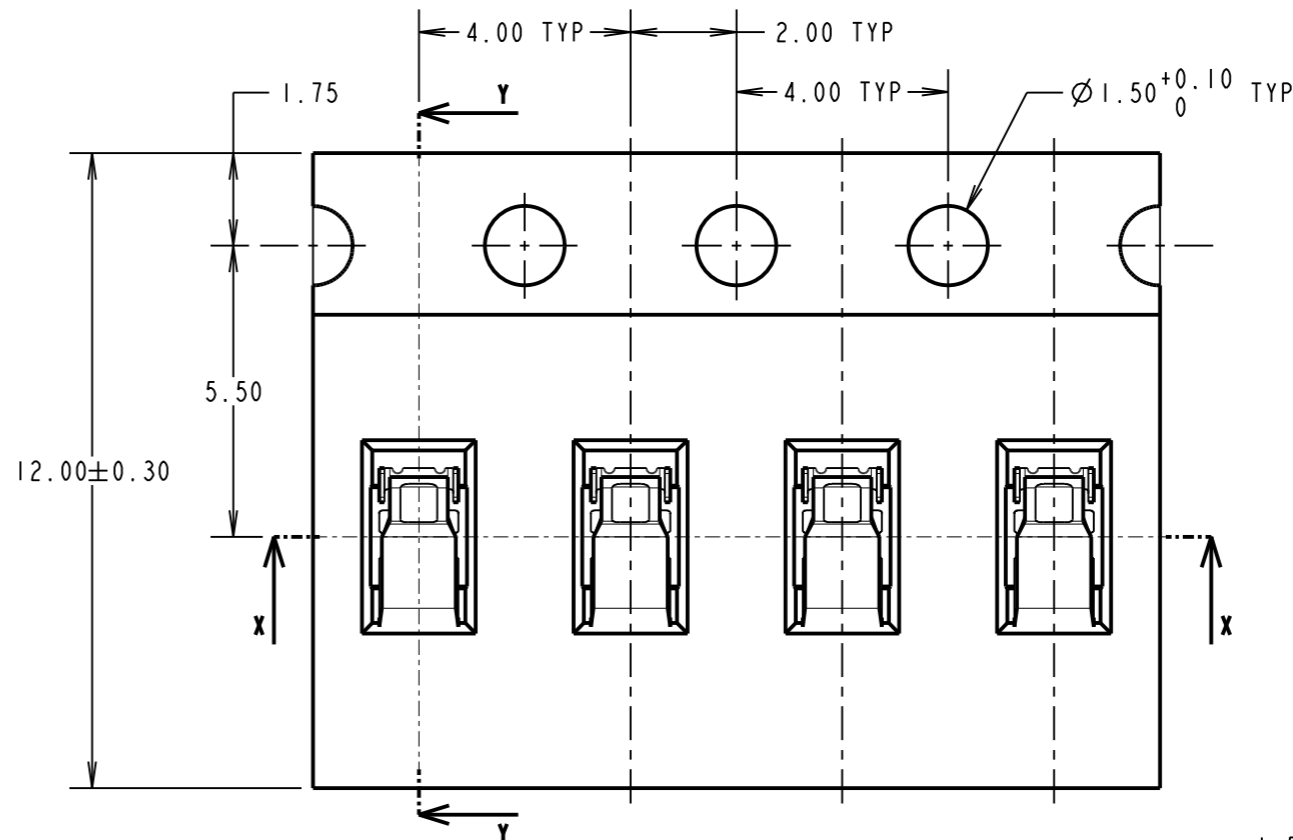
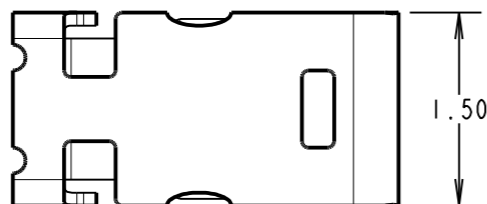
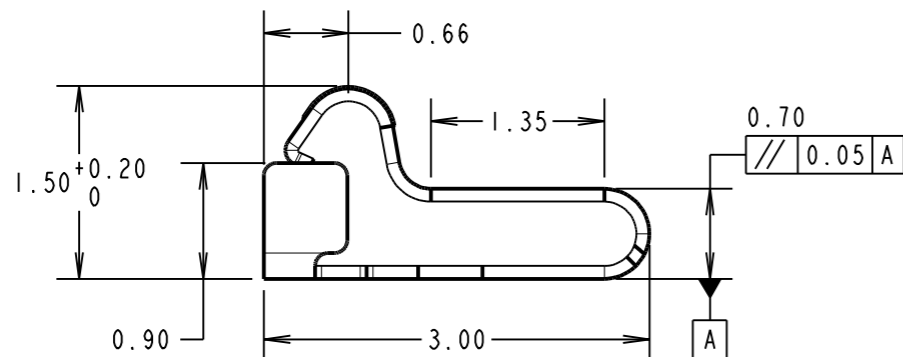
RECOMMENDED PCB LAYOUT
(TOLERANCE = ±0.05)



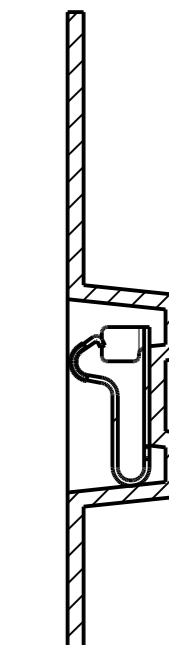
PICK & PLACE AREA



COMPONENT DETAILS



SECTION X-X

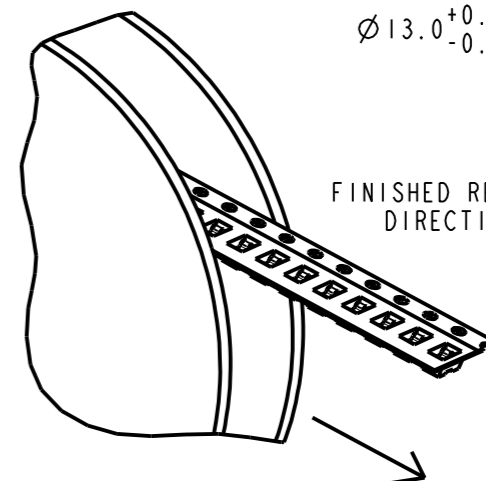
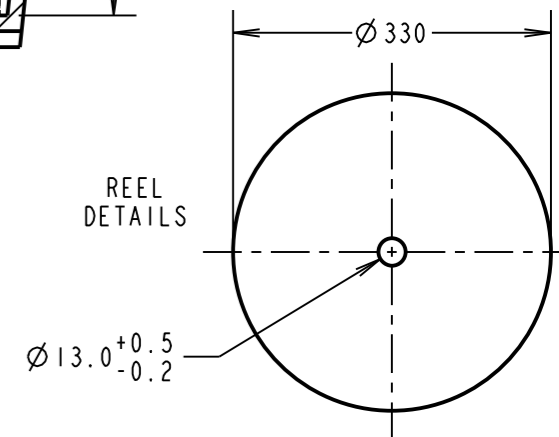


SECTION Y-Y

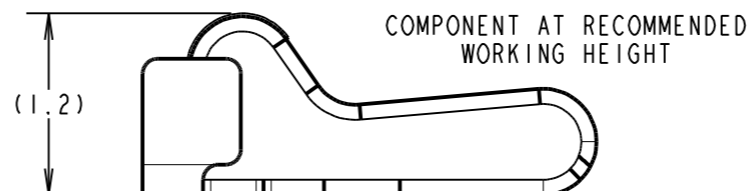
SPECIFICATION:

MATERIAL = TITANIUM COPPER ALLOY, 0.08mm THICK
 FINISH = 1.5µ-3.5µ NICKEL ALL OVER. 0.1µ GOLD ON TOP CONTACT AREA AND GOLD FLASH ON BASE
 ELECTRICAL:
 CONTACT RESISTANCE = 50mΩ MAX
 CURRENT RATING = 1A
 VOLTAGE RATING = 250V AC
 MECHANICAL:
 DURABILITY = 10,000 CYCLES
 RECOMMENDED WORKING HEIGHT = 1.20mm / MIN FORCE = 0.58N
 RECOMMENDED MINIMUM WORKING HEIGHT = 0.90mm
 ENVIRONMENTAL:
 OPERATING TEMPERATURE = -40°C TO +85°C

REEL DETAILS



FINISHED REELING DIRECTION



COMPONENT AT RECOMMENDED WORKING HEIGHT

MSP	2	30.11.15	13179
NAME	ISS.	DATE	C/NOTE
APPROVED:		M.PERREN	
CHECKED:		S.BENNETT	
DRAWN:		S.BENNETT	
CUSTOMER REF.:			
ASSEMBLY DRG:			

HARWIN

www.harwin.com
technical@harwin.com

THIS DRAWING AND ANY INFORMATION OR DESCRIPTIVE MATTER SET OUT HEREON ARE CONFIDENTIAL AND COPYRIGHT PROPERTY OF THE HARWIN GROUP AND MUST NOT BE DISCLOSED, LOANED, COPIED OR USED FOR MANUFACTURING, TENDERING OR FOR ANY OTHER PURPOSE WITHOUT THEIR WRITTEN PERMISSION.

TOLERANCES

X. = ±1mm
 X.X = ±0.50mm
 X.XX = ±0.10mm
 X.XXX = ±0.01mm
 ANGLES = ±5°
 UNLESS STATED

MATERIAL:

SEE ABOVE

FINISH: SEE ABOVE

S/AREA:

mm²

TITLE: SMT SPRING CONTACT
(1.50mm HIGH)
IN TAPE AND REEL

DRAWING NUMBER:

S7251-45R

SHT
2 OF 2