

GOG9x12

THREE PHASE AC-DC BRIDGE

Fuse protection
Blown fuse indicators with microswitch
Over temperature switches
Fan loss detection circuit
Snubber for SCR's protections
Extractable stacks for easy field service

LINE VOLTAGE UP TO 500V
DC OUTPUT CURRENT 1200A

GOG94012 GOG95012

Line to line voltage	400 V	500 V	
----------------------	-------	-------	--

Characteristic		Conditions	Value	Value	
I _{DC}	DC output current		1200 A	1200 A	
V _{INS} (rms)	Insulation voltage		3000 V	3000 V	

THYRISTOR CHARACTERISTICS

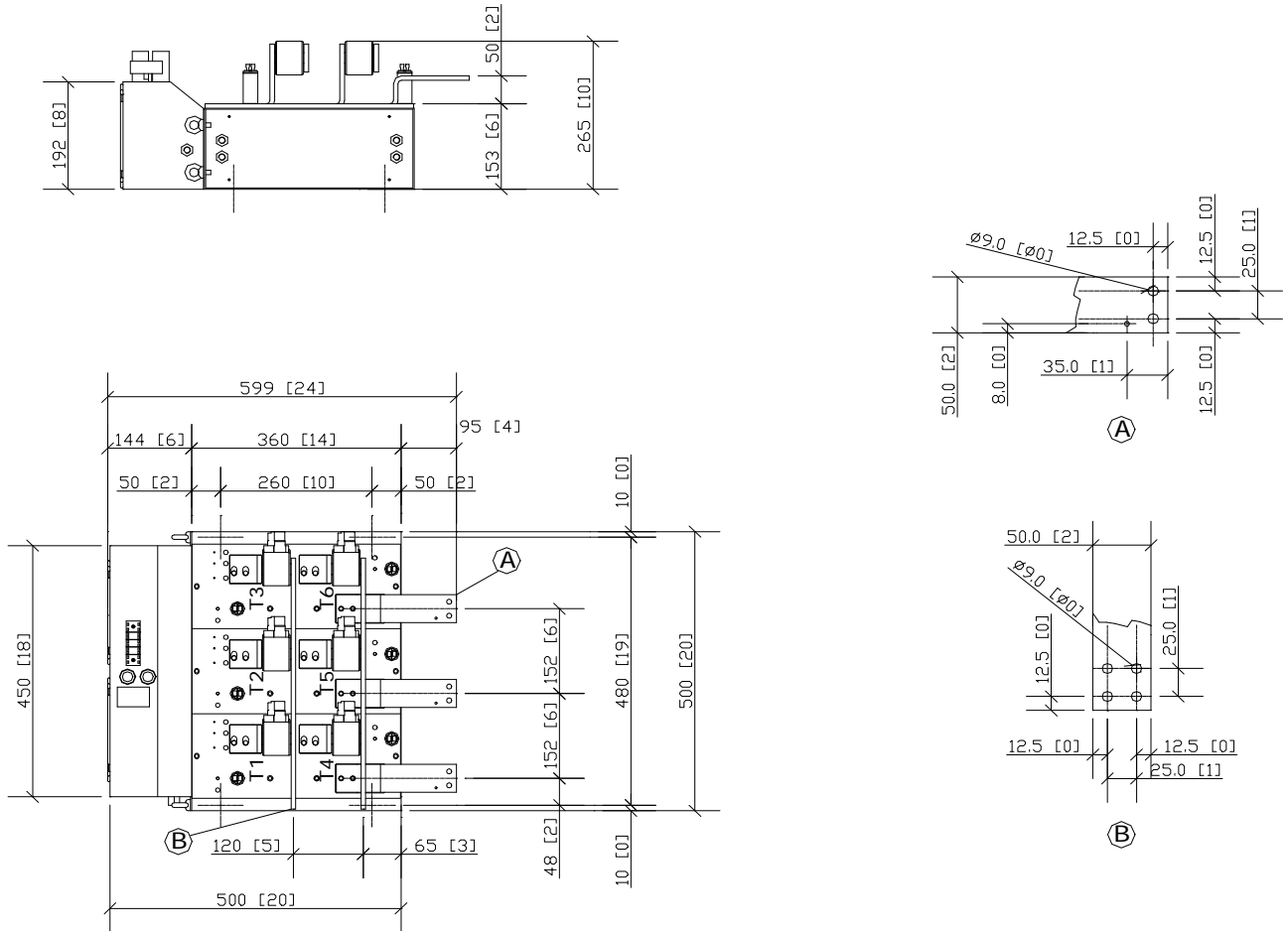
V _{GT}	Gate trigger voltage	T _j = 25 °C, V _D = 5 V	2.5 V	2.5 V	
I _{GT}	Gate trigger current	T _j = 25 °C, V _D = 5 V	250 mA	250 mA	
dV/dt	Critical rate of rise off-state voltage	T _j = 125 °C	1000 V/us	1000 V/us	
V _{RRM}	Blocking Voltage	T _j = 125 °C	1200 V	1600 V	

FUSE TYPE SIBA 2067132.800

V _{NF}	Rated voltage		690 V	690 V	
I _{NF}	Rated current		800 A	800 A	
P _{VF}	Power loss	At rated current	108 W	108 W	
I ² t	Total I ² t		580 kA ² s	580 kA ² s	

MECHANICAL AND THERMAL CHARACTERISTICS

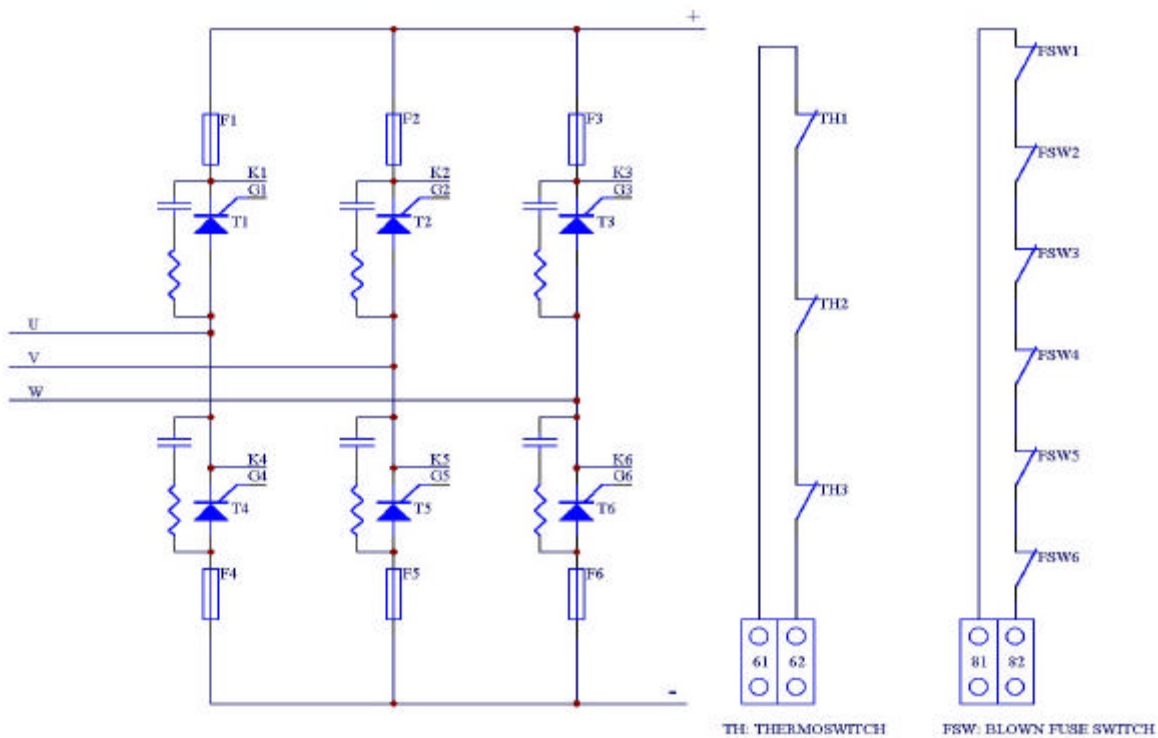
	Width		500 mm	500 mm	
	Depth		275 mm	275 mm	
	Height		655 mm	655 mm	
	Mass		65 kg	65 kg	
T _a max	Max amb. op. Temp.		40 °C	40 °C	
T _{stg}	Storage temperature		-40/60 °C	-40/60 °C	



The part numbering system is reported at the beginning of the Open Assembly section.

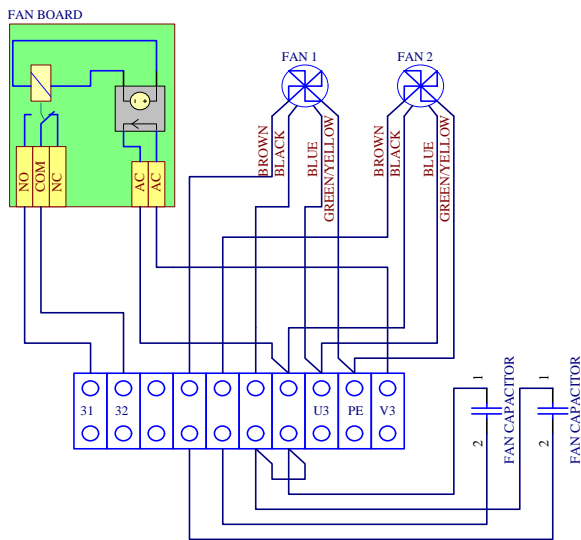
Customisations are available on request. Please contact factory.

In the interest of product improvement Green Power Solutions reserves the right to change any specification given in this data sheet without notice.



TH: THERMOSWITCH FSW: BLOWN FUSE SWITCH

61-62: THERMOSWITCH CIRCUIT CONNECTION
81-82: BLOWN FUSE SWITCH CIRCUIT CONNECTION



U3-V3: MAIN SUPPLY
PE: GROUND CONNECTION (GND)
31-32: FAN BOARD CONTACT (CLOSED WHEN FAN RUNNING)

Cooling:

Fan type:	single phase axial
Number of fans:	2
Voltage:	230 V
Current:	0.4 A
Frequency:	50/60 Hz
Noise:	62 dBA

In the interest of product improvement Green Power Solutions reserves the right to change any specification given in this data sheet without notice.