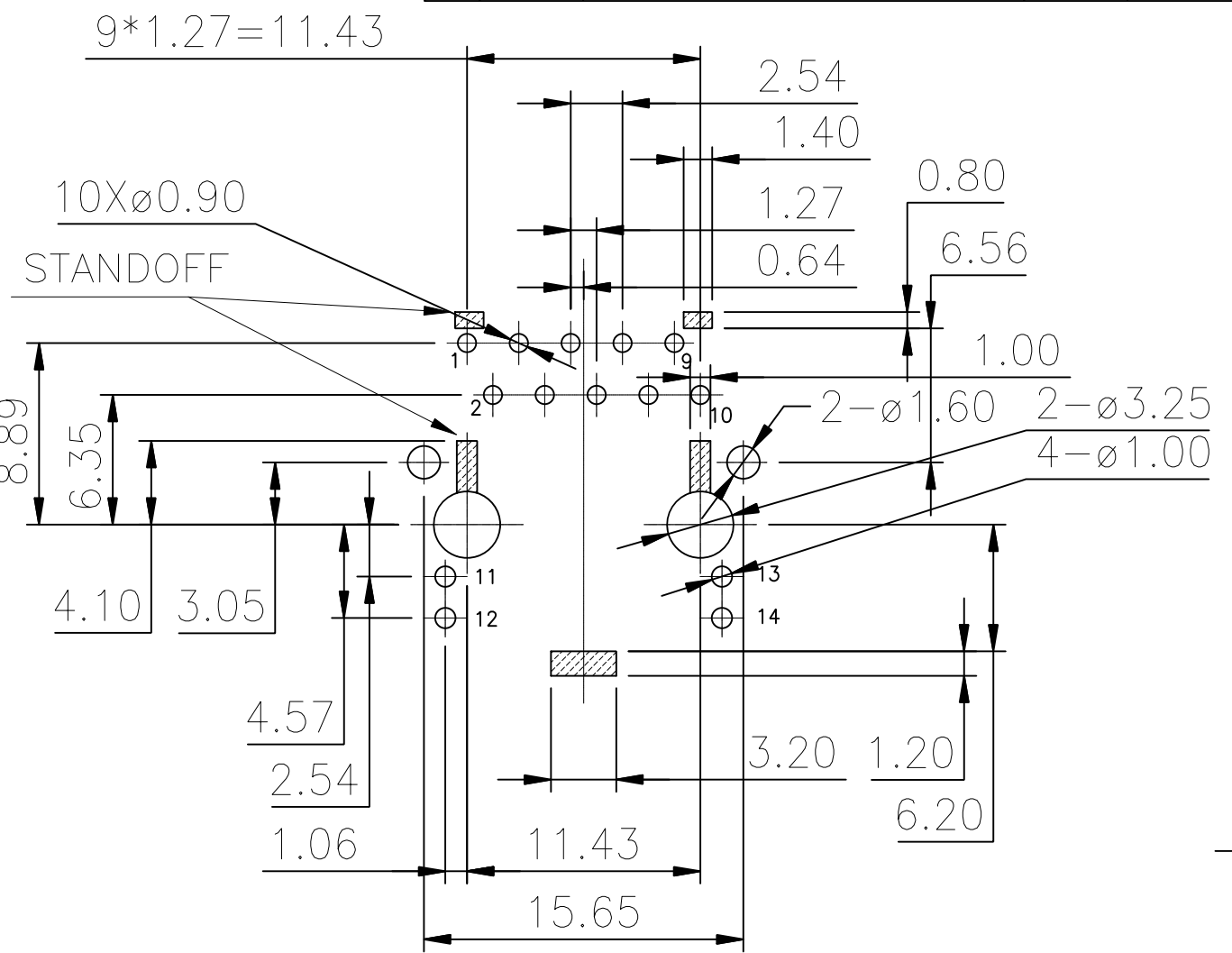
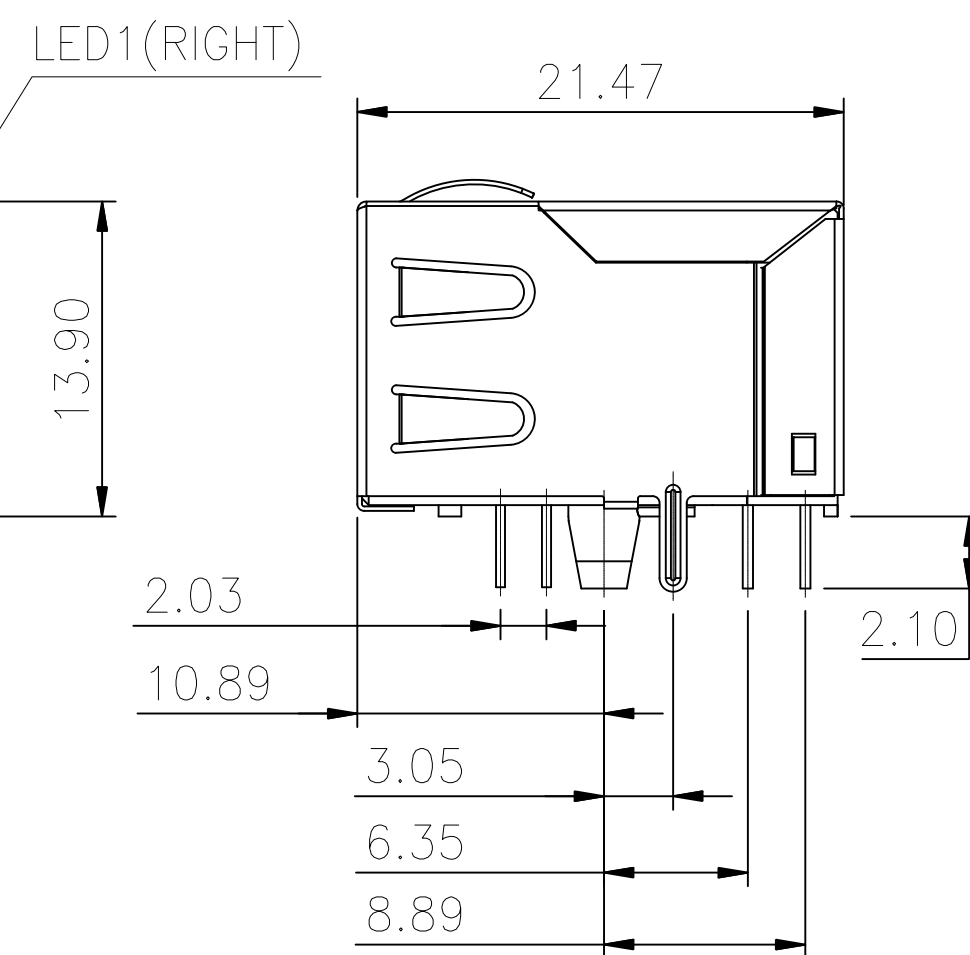
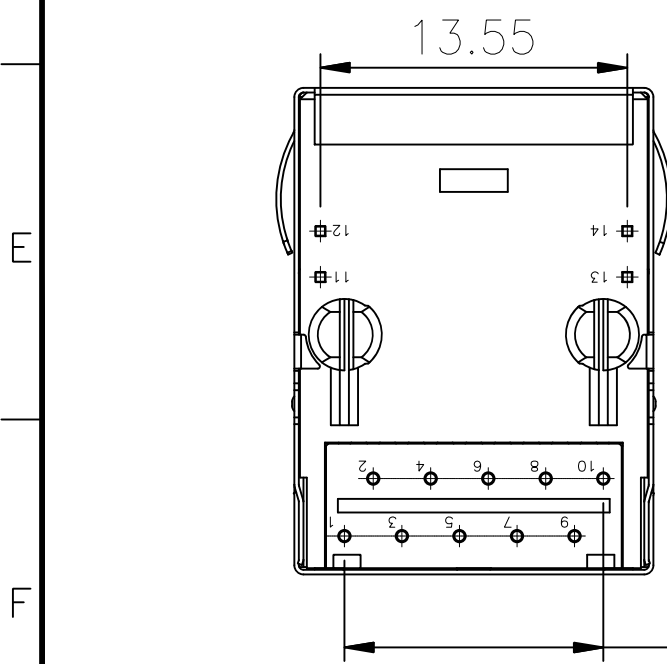
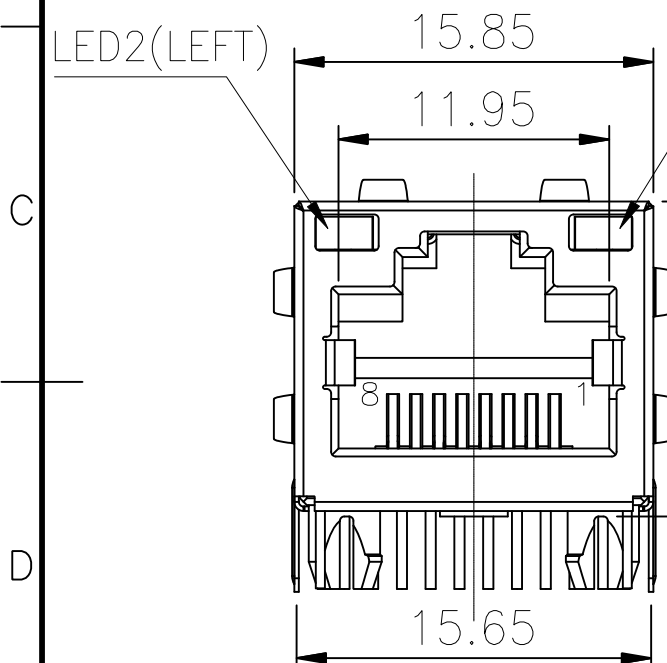
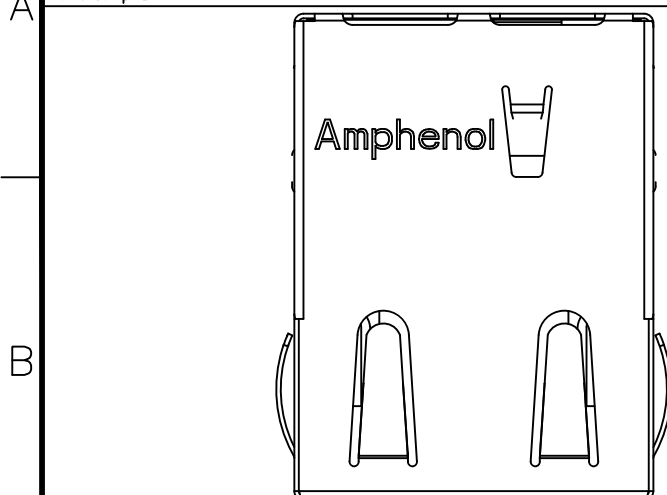


This document is the property of Amphenol Corporation and is delivered on the express condition that is not to be disclosed, reproduced or used, in whole or in part, for manufacture or sale by anyone other than Amphenol Corporation without its prior consent, and that no right is granted to disclose or to use any information in this document.

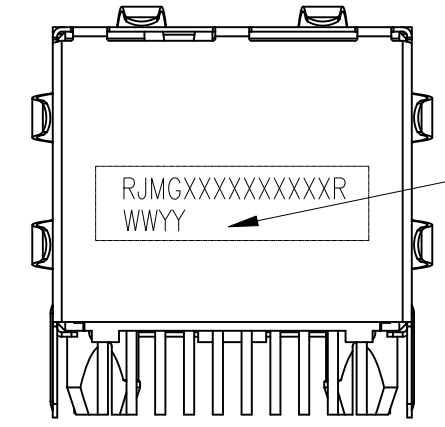
The marking on this product doesn't contain environmental hazardous materials per Material Specification SS-00259 for Sony GP compliant or per directive 2011/65/EU for RoHS compliant.

CUSTOMER DRAWING

REVISIONS				
SYM	ECN No.	DESCRIPTION	DATE	APPROVED
AX1		NEW RELEASE	03/04/2015	Roger Tsai
AX2		UPDATE PCB LAYOUT	03/05/2015	Roger Tsai



RECOMMENDED PCB LAYOUT COMPONENT SIDE
ALL DIMENSION TOLERANCE ARE ±0.05



Amphenol P/N
DATE CODE
WW=WEEK
YY=YEAR

TOLERANCE	APPROVALS	DATE	TITLE		Amphenol®	
X. ±0.30	DRAWN Devin Yen	03/05/2015	RJM2016 Series 1X1 1000 Base-T Series with LED options		Amphenol Corporation Amphenol Taiwan Corporation	
X.XX ±0.20	CHECKED Vivian Wen	03/05/2015				
X.XXX ±0.10	APPROVED Roger Tsai	03/05/2015				
ANGULAR ±1°	DWG TYPE CUST DWG	PROJECT CODE -	UNIT mm	SIZE A3	PART No. RJMG20162141BER	
UNLESS OTHERWISE SPECIFIED			SCALE NA	SHEET 1 OF 4	DWG No. RJMG20162141BER	REV. AX2

This document is the property of Amphenol Corporation and is delivered on the express condition that is not to be disclosed, reproduced or used, in whole or in part, for manufacture or sale by anyone other than Amphenol Corporation without its prior consent, and that no right is granted to disclose or to use any information in this document.

The marking on this product doesn't contain environmental hazardous materials per Material Specification SS-00259 for Sony GP compliant or per directive 2011/65/EU for RoHS compliant.

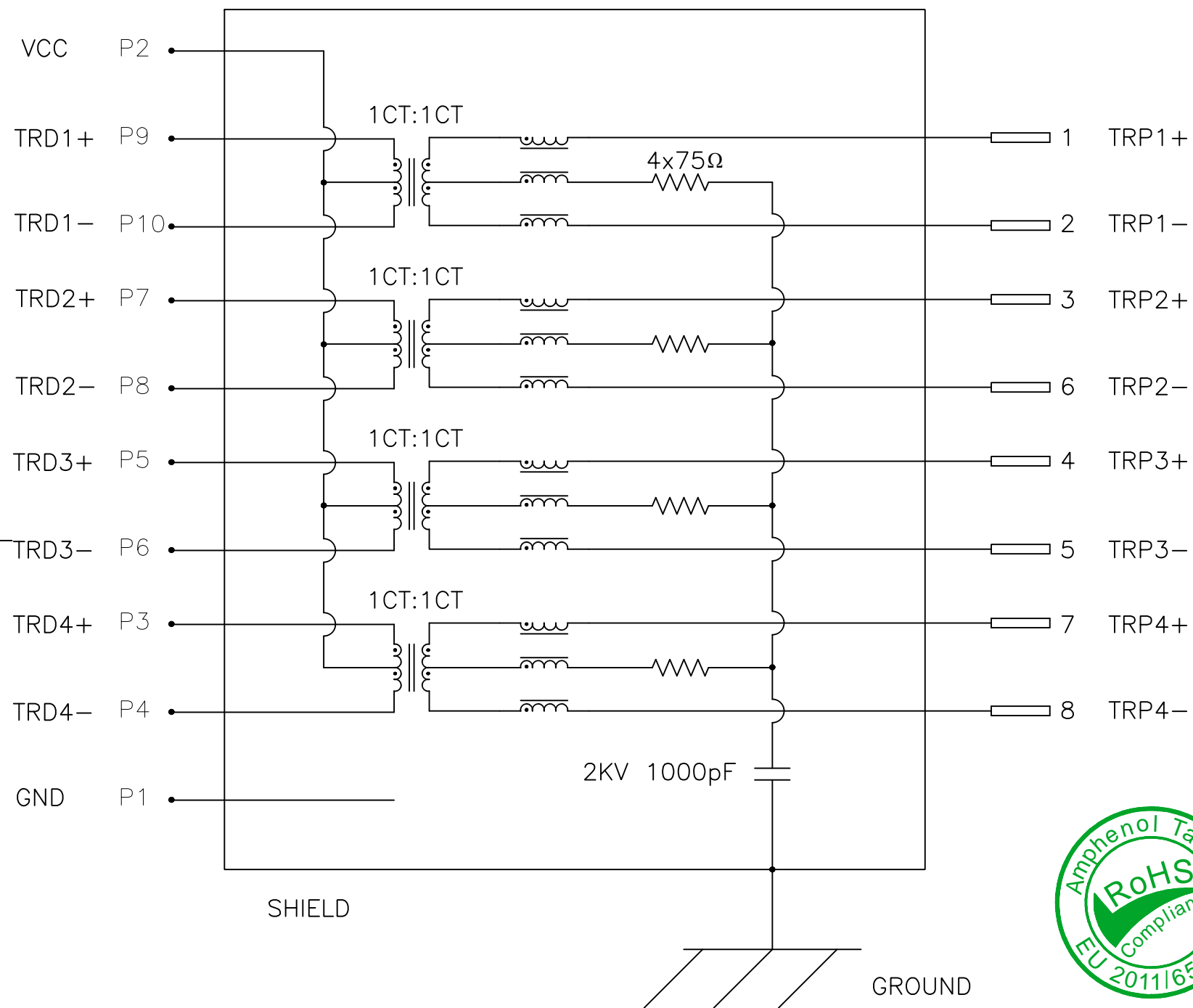
CUSTOMER DRAWING

REVISIONS				
SYM	ECN No.	DESCRIPTION	DATE	APPROVED
AX1		NEW RELEASE	03/04/2015	Roger Tsai
AX2		UPDATE PCB LAYOUT	03/05/2015	Roger Tsai

SCHEMATIC:

PCB SIDE

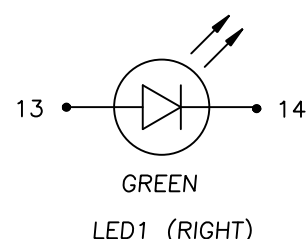
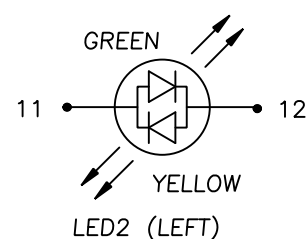
CABLE SIDE



Electrical Specification(@25°C)

Parameters	Unit	
Turns Ratio(Primary):(Secondary)	-	1CT:1±5%
Inductance@100KHz,0.1Vrms,8mA DC	uH	350 Min.
Insertion Loss@1~100MHz	-dB	1.0 Max.
@100~125MHz	-dB	1.2 Max.
Return Loss@1~30MHz	-dB	18 Min.
@30~60MHz	-dB	16 Min.
@60~80MHz	-dB	12 Min.
@80~100MHz	-dB	10 Min.
Common Mode Rejection@1~100MHz	-dB	30 Min.
Cross Talk@1~100MHz	-dB	30 Min.
HiPot Test(Input):(Output)	V AC	1500 Min.

Operating Temperature:0°C To +70°C



TOLERANCE	APPROVALS	DATE	TITLE		PART No.	
X. ±0.30	DRAWN Devin Yen	03/05/2015	RJMG2016 Series 1X1 1000 Base-T Series with LED options		Amphenol® Amphenol Corporation Amphenol Taiwan Corporation	
X.X ±0.20	CHECKED Vivian Wen	03/05/2015				
X.XXX ±0.10	APPROVED Roger Tsai	03/05/2015				
ANGULAR ±1°	DWG TYPE CUST DWG	PROJECT CODE -	UNIT mm	SIZE A3	PART No. RJMG20162141BER	
UNLESS OTHERWISE SPECIFIED			SCALE NA	SHEET 2 OF 4	DWG No. RJMG20162141BER	REV. AX2

This document is the property of Amphenol Corporation and is delivered on the express condition that is not to be disclosed, reproduced or used, in whole or in part, for manufacture or sale by anyone other than Amphenol Corporation without its prior consent, and that no right is granted to disclose or to use any information in this document.

The marking on this product doesn't contain environmental hazardous materials per Material Specification SS-00259 for Sony GP compliant or per directive 2011/65/EU for RoHS compliant.

CUSTOMER DRAWING

REVISIONS				
SYM	ECN No.	DESCRIPTION	DATE	APPROVED
AX1		NEW RELEASE	03/04/2015	Roger Tsai
AX2		UPDATE PCB LAYOUT	03/05/2015	Roger Tsai

NOTES:

1. MATERIAL:

RJ HOUSING: LCP UL94V-0, BLACK.
 COVER: LCP UL94V-0, BLACK.
 TRANSFORMER HOUSING: LCP BLACK, UL94V-0.
 RJ CONTACTS: C5191-H T=0.25±0.01
 RJ SOLDER PIN: STAINLESS
 SHELL: SUS 304 1/2H

2. PLATING

RJ CONTACT: 1.27um min. Nickel underplating
 selected gold min on contact
 1.27um min tin on soldertail
 RJ SOLDER PIN: 2.54um min tin overall,
 0.75um min nickel underplating

3. ELECTRICAL CHARACTERISTICS : REFERE PAGE 2 SPEC

4. MECHANICAL CHARACTERISTICS :

INSERTION FORCE : 22N MAX.
 REMOVAL FORCE(WITHOUT PLUG LOCK) : 22N MAX.
 PLUG LOCKING RETENTION FORCE : 50N MIN./60sec
 DURABILITY : 1000 TIMES

5. STORAGE TEMPERATURE : -40°C ~ 85°C

6. WAVE SOLDER CAPABLE TO 260°C

7. OTHERS:

7.1 DATE CODE YYWW

8. Ratings

8.1 VOLTAGE RATING: 125 VAC
 8.2 CURRENT RATING: 1.5A

9. PERFORMANCE AND TEST DESCRIPTION

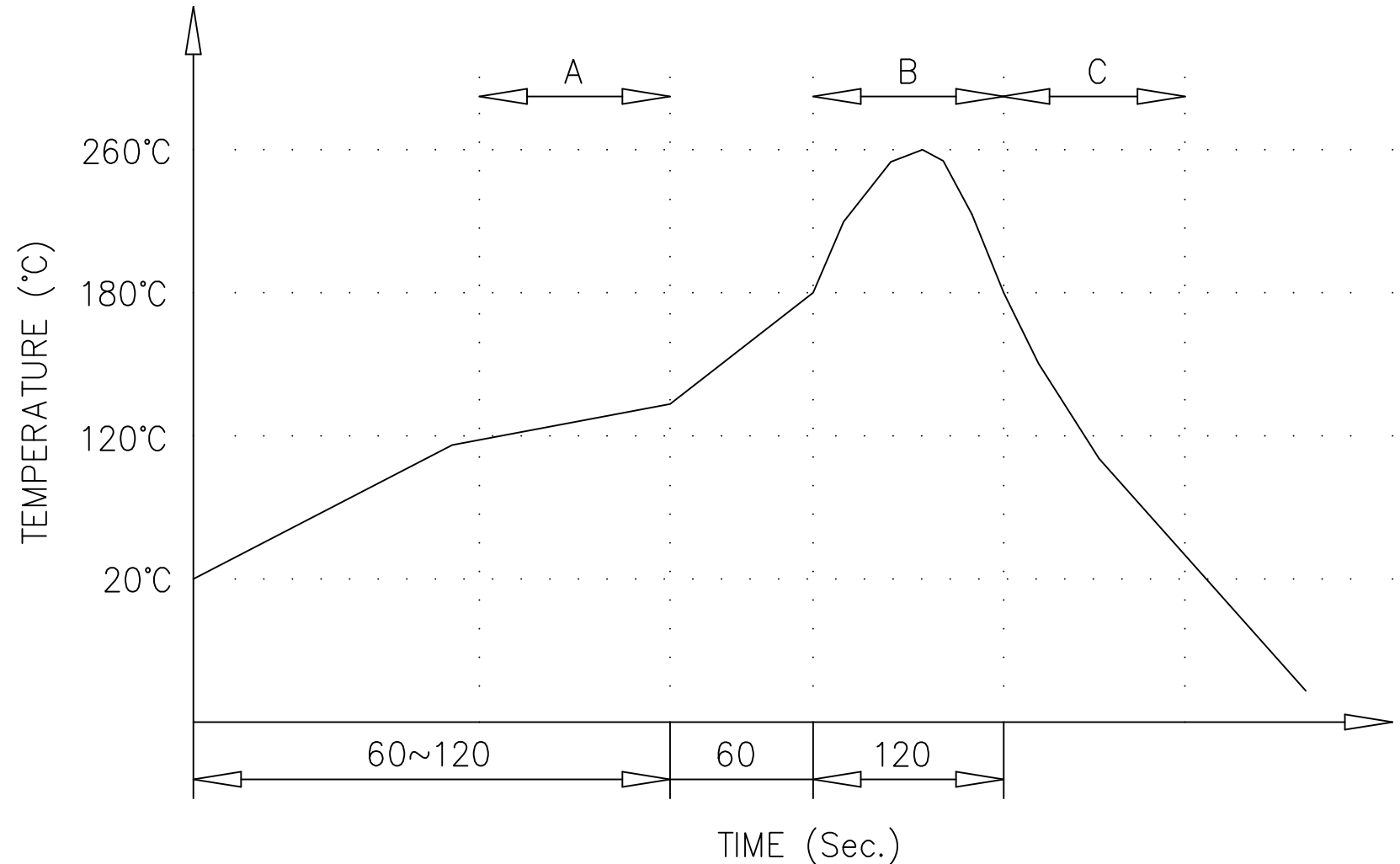
PRODUCT IS DESIGNED TO MEET ELECTRICAL, MECHANICAL AND ENVIRONMENT PERFORMANCE REQUIREMENTS SPECIFIED IN BELOW TABLE. ALL TESTS ARE PERFORMED AT AMBIENT ENVIRONMENT

CONDITIONS

PER MIL-STD-1344A AND EIA-364 UNLESS OTHERWISE SPECIFIED.

10. PACKAGING AND PACKING

ALL PARTS SHALL BE PACKAGED AND PACKED TO PROTECT AGAINST PHYSICAL DAMAGE, CORROSION AND DETERIORATION DURING SHIPMENT AND STORAGE.



A.Preheating B.Soldering C.Gradual Cooling
 Tip temperature: 260±5°C
 Tip temperature time: 5Sec. Max.
 The melting point of Sn96.5/Ag3/Cu0.5: 217°C



TOLERANCE	APPROVALS	DATE	TITLE		Amphenol®	
X. ±0.30	DRAWN Devin Yen	03/05/2015	RJMG2016 Series 1X1 1000 Base-T Series with LED options		Amphenol Corporation Amphenol Taiwan Corporation	
X.X ±0.20	CHECKED Vivian Wen	03/05/2015				
X.XX ±0.10	APPROVED Roger Tsai	03/05/2015		UNIT mm	SIZE A3	PART No. RJMG20162141BER
ANGULAR ±1°	DWG TYPE CUST DWG	PROJECT CODE -		SCALE NA	SHEET 3 OF 4	DWG No. RJMG20162141BER
UNLESS OTHERWISE SPECIFIED						

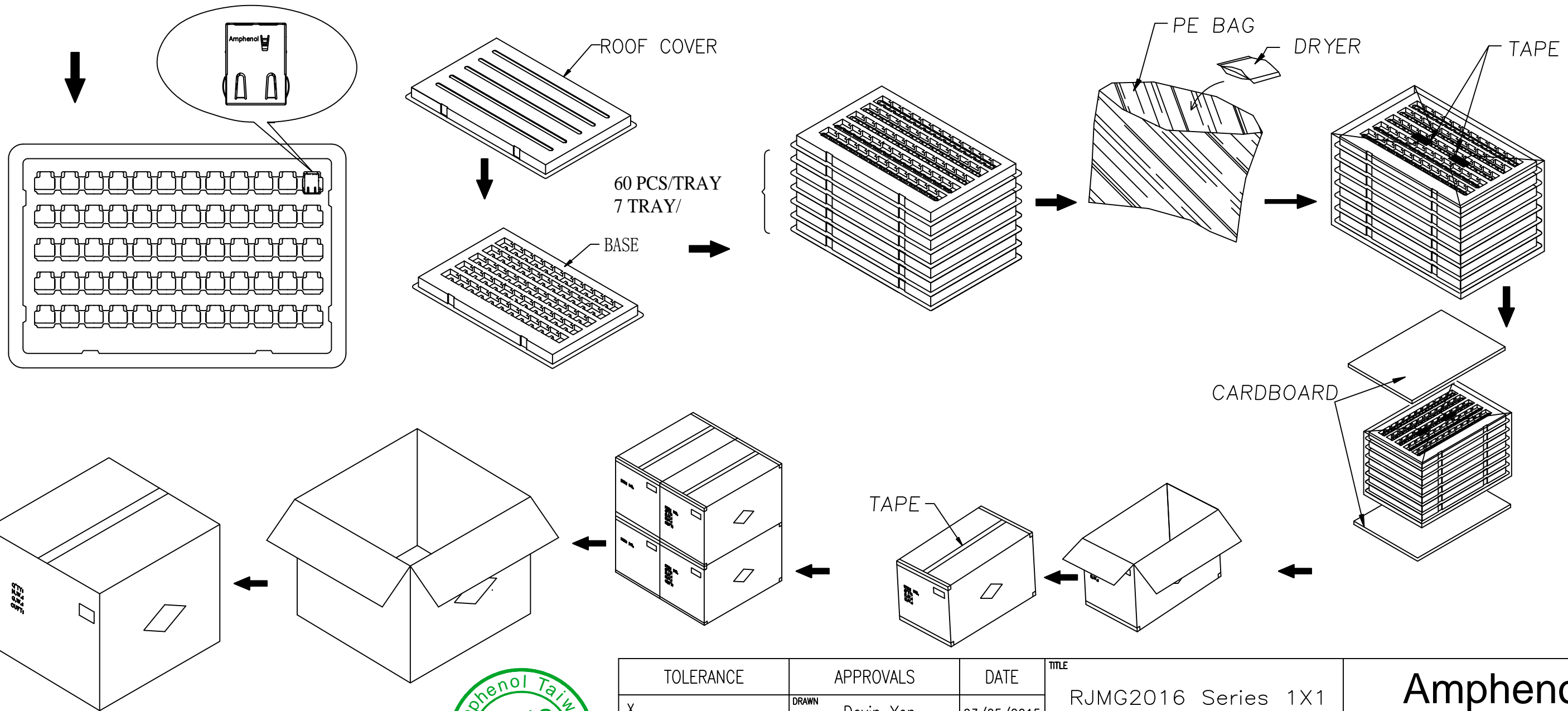
This document is the property of Amphenol Corporation and is delivered on the express condition that it is not to be disclosed, reproduced or used, in whole or in part, for manufacture or sale by anyone other than Amphenol Corporation without its prior consent, and that no right is granted to disclose or to use any information in this document.

The marking on this product doesn't contain environmental hazardous materials per Material Specification SS-00259 for Sony GP compliant or per directive 2011/65/EU for RoHS compliant.

CUSTOMER DRAWING

REVISIONS				
SYM	ECN No.	DESCRIPTION	DATE	APPROVED
AX1		NEW RELEASE	03/04/2015	Roger Tsai
AX2		UPDATE PCB LAYOUT	03/05/2015	Roger Tsai

PRODUCT		TRAY PER	PCS PER	PCS PER	PCS PER
SERIES	PORTS	PRIMARY CARTON	TRAY	PRIMARY CARTON	MASTER CARTON
RJMG	1X1	7	60	420	1680



TOLERANCE	APPROVALS	DATE	TITLE		Amphenol® Amphenol Corporation Amphenol Taiwan Corporation	
X. ±0.30	DRAWN Devin Yen	03/05/2015	RJMG2016 Series 1X1 1000 Base-T Series with LED options		PART No. RJMG20162141BER	
X.X ±0.20	CHECKED Vivian Wen	03/05/2015			DWG No. RJMG20162141BER	
X.XXX ±0.10	APPROVED Roger Tsai	03/05/2015			REV. AX2	
ANGULAR ±1°	DWG TYPE CUST DWG	PROJECT CODE -	UNIT mm	SCALE NA	SIZE A3	SHEET 4 OF 4
UNLESS OTHERWISE SPECIFIED						