

03

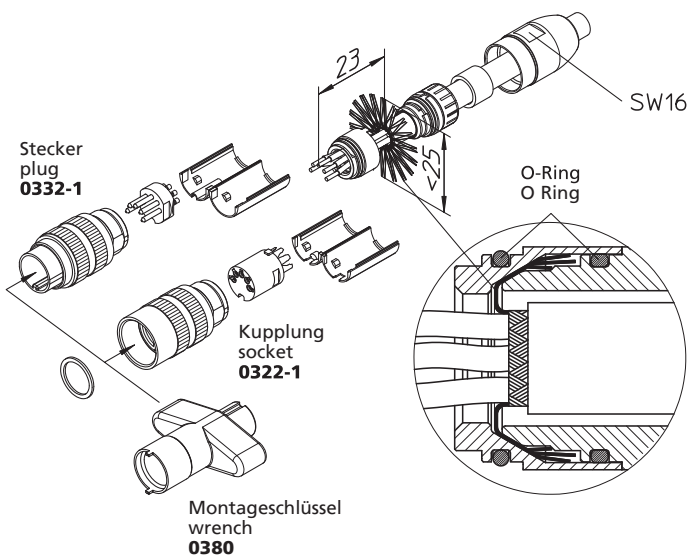
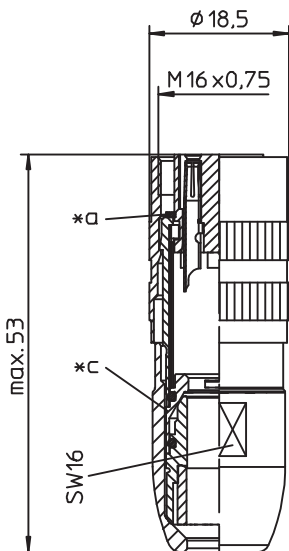
0322-1

Circular connectors with threaded joint M16 acc. to IEC 61076-2-106, IP40/IP67/IP68



Socket acc. to AISG specification and IEC 61076-2-106, IP 68, with threaded joint and solder terminals, shielded at 360°

03 0322-1



Environmental conditions

Temperature range -40 °C/+85 °C

Materials

| | |
|-----------------|---|
| Insulating body | PA GF, V-0 according to UL94 |
| Contact bush | CuZn, silver-plated and flash gold-plated |
| Housing | CuZn, nickel-plated |
| Knurled nut | CuZn, nickel-plated |
| Seal | NBR |

Mechanical data

| | |
|--------------------------|------------------------|
| Insertion force/contact | $\leq 5.0 \text{ N}^1$ |
| Withdrawal force/contact | $\geq 1.2 \text{ N}^1$ |
| Protection class | IP68 ² |

¹ measured with a polished steel pin, nominal thickness 1.5 mm

² according to IEC DIN EN 60529, only in locked condition with an appropriate counterpart; IPX8 requirements under agreement between manufacturer and user

Connectable conductors for solder area

| | |
|----------------|-----------------------------------|
| Section | $\leq 0.75 \text{ mm}^2$ (AWG 20) |
| Cable diameter | 4–8 mm |

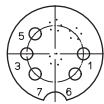
Electrical data (at $T_{amb} 20 \text{ °C}$)

| | |
|-----------------------|---------------------------------|
| Contact resistance | $\leq 5 \text{ m}\Omega$ |
| Rated current | 5 A ($T_{amb} 40 \text{ °C}$) |
| Rated voltage | 60 V |
| Rated impulse voltage | 1000 V |
| Insulation resistance | $> 100 \text{ M}\Omega$ |

Associated products

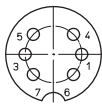
| | | |
|--------------|------------|------------|
| Counterparts | | |
| ☞ 0314 | ☞ 0314-1 | ☞ 0314-2 |
| ☞ 0315 | ☞ 0315-1 | ☞ 0315-1 U |
| ☞ 0315-2 | ☞ 0316 | ☞ 0316-1 |
| ☞ 0316-2 | ☞ 0317 | ☞ 0317-1 |
| ☞ 0317-2 | ☞ 031798-1 | ☞ 031798-2 |
| ☞ 031799-2 | ☞ 0318 | ☞ 0318-1 |
| ☞ 0318-2 | ☞ 0331 | ☞ 0332 |
| ☞ 0332-1 | ☞ 033200 | ☞ 0365 |
| ☞ 036500 | | |

03 0322-1

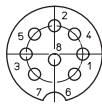


*d

0322-1 05-3



0322-1 06-1



08-a

0322-1 08-1

Accessories

☞ 0322 C 16

☞ 0381

☞ 038199

☞ 038799

*a flat gasket

*c shielding

*d pin configuration according to AISG C485

03

0322-1

| Designation | Pole Number | PU (Pieces) | MDQ (Pieces) |
|-------------|-------------|-------------|--------------|
| 0322-105-3 | 5 | 50 | 100 |
| 0322-108-1 | 8 | 50 | 100 |

Packaging:

sets of individual parts in plastic bags, in a cardboard box