

### Thermoelectric cooling unit for medical and industrial applications



The Liquid-to-Air Series thermoelectric assembly (TEA) offers dependable, compact performance by cooling objects via liquid to transfer heat. Heat is absorbed through a liquid heat exchanger and dissipated thru a high density heat sink equipped with an air ducted shroud and brand name fan. The thermoelectric modules are custom designed to achieve a high coefficient of performance (COP) to minimize power consumption. This product series is available in a wide range of cooling capacities and voltages. Custom configurations are available, however, MOQ applies.

#### FEATURES

- Compact form factor
- Precise temperature control
- Reliable solid-state operation
- DC operation
- RoHS compliant

#### APPLICATIONS

- Medical Diagnostics
- Industrial Lasers
- Medical Lasers
- Analytical Instrumentation

Americas: +1.919.597.7300

Europe: +46.31.420530

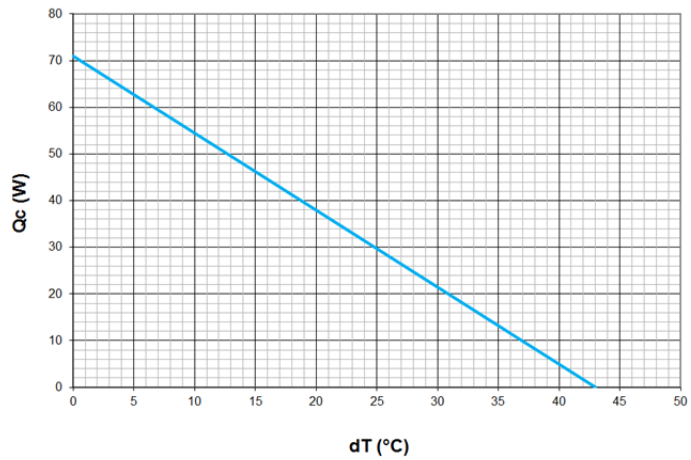
Asia: +86.755.2714.1166

ets.sales@lairdtech.com

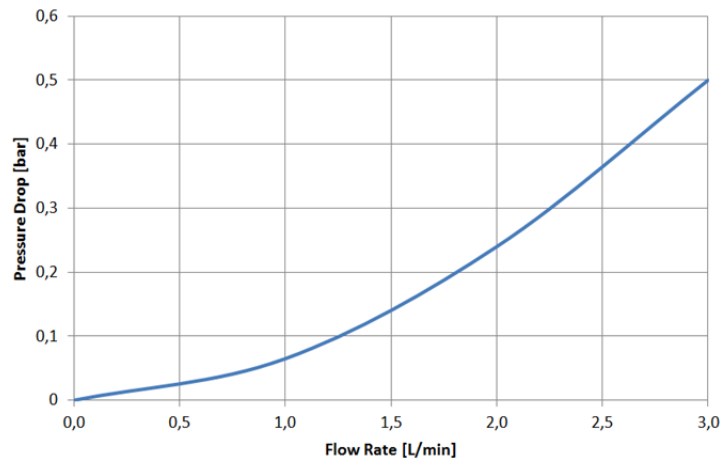
[www.lairdtech.com](http://www.lairdtech.com)

Liquid-to-Liquid Thermoelectric Assembly

Qc vs dT



Pressure Drop vs Flow Rate



**SPECIFICATIONS**

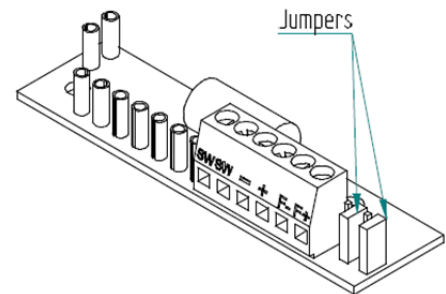
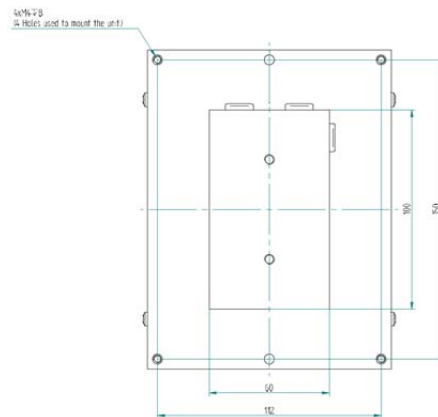
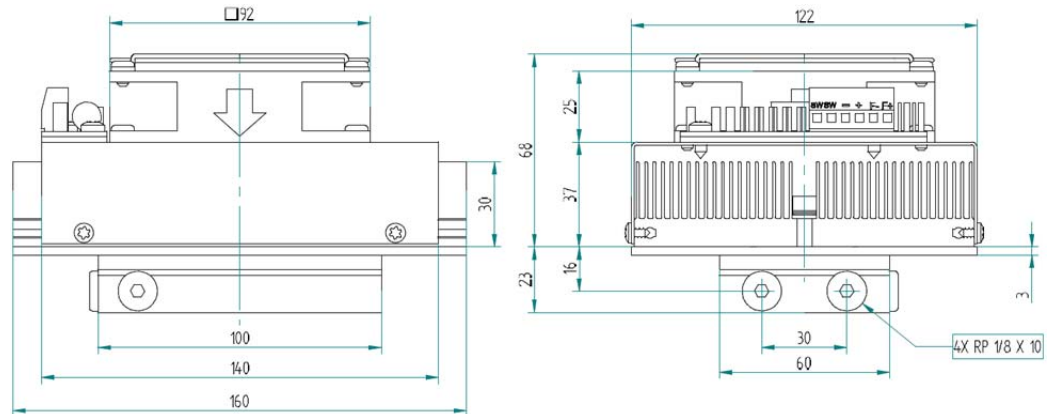
**TECHNICAL**

Technology	Thermoelectric based
Cooling at $\Delta T = 0^\circ\text{C}$	43 W
Voltage (nominal / maximum) <sup>1</sup>	12/15 VDC
Grounding (all voltages)	Positive or negative
Current draw, $\pm 10\%$ (nominal / startup)	3.7/4.3 A
Weight	1.5 kg
MTBF (fans)	50,000 hours

**ENVIRONMENTAL**

Temperature range	-10°C to +52°C
Over temp Thermostat	75°C $\pm$ 5°C (hot side heat sink)

**MECHANICAL DRAWING**



**Note:**

- For overheating protection, the cooler is equipped with a bimetal thermostat. The maximum rating for the thermostat is 8 A dc. For systems with 8 A or less, the thermostat can be connected directly in series with the thermoelectric modules (TEMs). Otherwise, connect the TEMs to the power source through a relay of suitable rating which state is controlled with the bimetal thermostat.
- Turbulators are mounted inside liquid channels to turbulate flow
- Cold block requires insulation to minimize moisture buildup under dew point conditions.

THR-DS-LA-045-12-00-00\_121715