

35

351700

RAST 2.5 connectors, pitch 2.5/5.0 mm



RAST 2.5 plus™ connector for direct and indirect mating,
with double-sided keying, insulation displacement
technology (IDT)
contact pitch 2.5 mm

State: New

Approvals:   US pending

35 351700

Environmental conditions

Temperature range -40 °C/+130 °C¹
¹ upper limit temperature (insulating body) RTI (electrical) of the UL Yellow Card

Materials

Insulating body PA, V-0 according to UL94¹
 Contact spring CuSn, tin-plated
¹ material halogen-free, GWFI 850 °C, GWIT 775 °C

Mechanical data

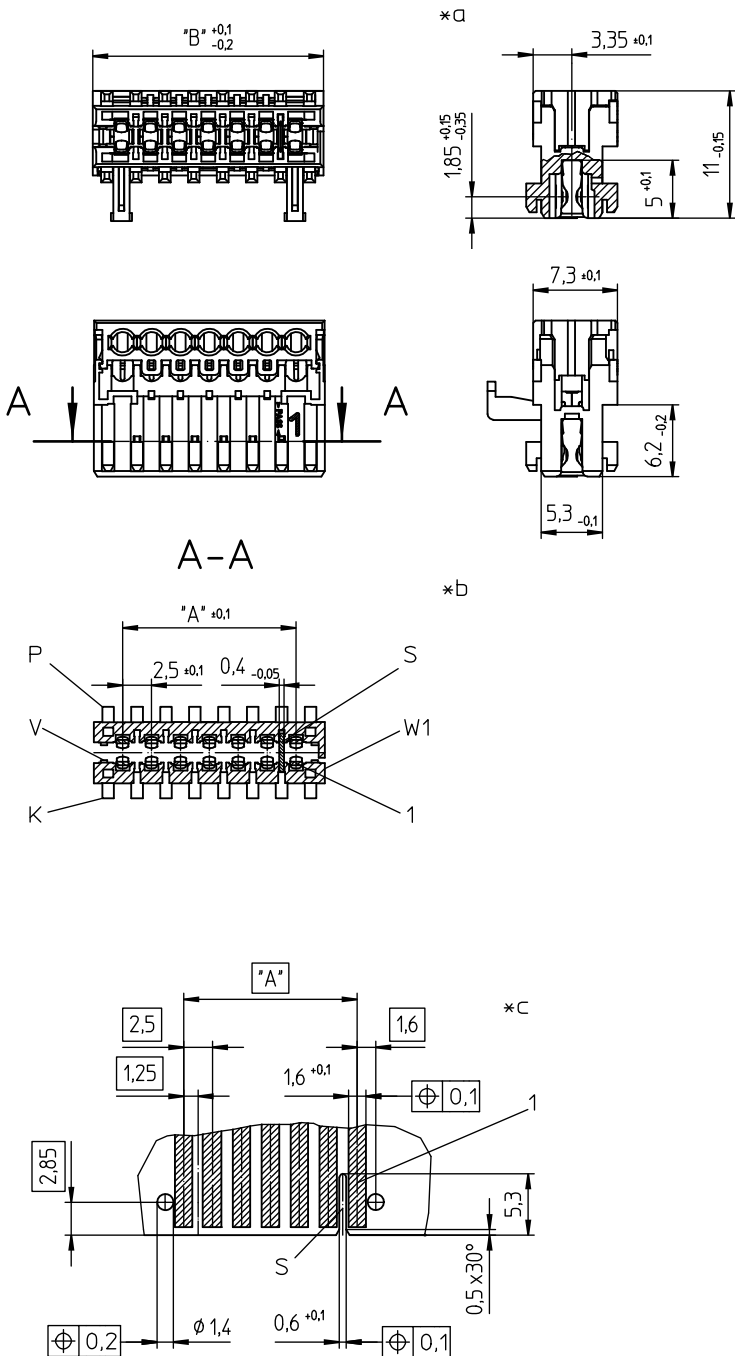
Insertion force/contact ≤ 4,0 N
 Withdrawal force/contact ≥ 0,5 N
 Retaining force/locking ≥ 6,0 N¹
¹ measured with a polished steel gauge, nominal thickness 1.5 mm

Connectable conductors for IDT area

Construction discrete conductor, notched flat cable 2.5 mm
 Section min. 0,35 mm²
 Section max. 0,38 mm²
 Insulation diameter ≤ 1,6 mm

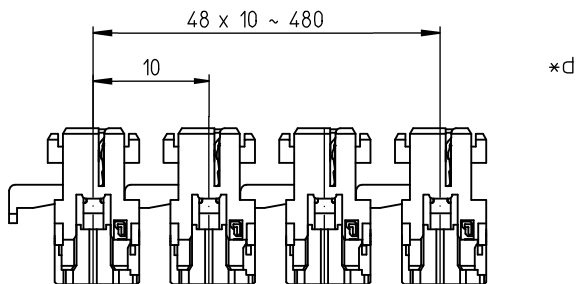
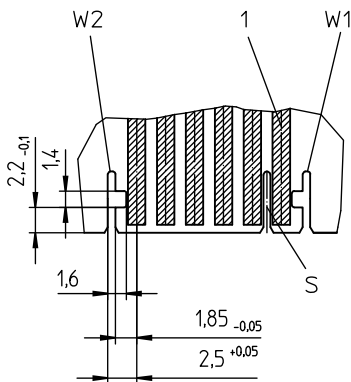
Electrical data (at T_{amb} 20 °C)

Contact resistance ≤ 5 mΩ
 Rated current 4 A (T_v 60 °C)
 2 A (T_v 100 °C)
 Rated voltage 80 V AC
 Material group I (IEC)/0 (UL) (CTI ≥ 250)
 Creepage distance 0,6 mm
 Clearance 0,6 mm
 Insulation resistance > 1 GΩ



35

351700



- *a terminated connector
- *b K = keying
P = positioning
S = keying rib (alternatively)
V = lock
W = closed side (alternatively)
- *c examples for printed circuit board layouts
- *d chaining of the component parts (state of delivery)

Designation	Pole Number	PU (Pieces)	MDQ (Pieces)	Dimensions	
				A (mm)	B (mm)
351700 02	2	4752	14256	2.5	7.4
351700 03	3	3456	10368	5.0	9.9
351700 04	4	2592	7776	7.5	12.4
351700 05	5	2160	6480	10.0	14.9
351700 06	6	1728	5184	12.5	17.4
351700 07	7	1728	5184	15.0	19.9
351700 08	8	1296	3888	17.5	22.4
351700 09	9	1296	3888	20.0	24.9
351700 10	10	1296	3888	22.5	27.4
351700 11	11	864	2592	25.0	29.9

Designation to be completed by further details (e.g. for keying, color or material options).

Packaging:

chained, in a cardboard box