

THIS DRAWING IS UNPUBLISHED.

RELEASED FOR PUBLICATION

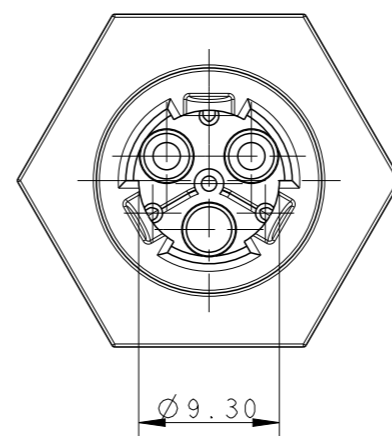
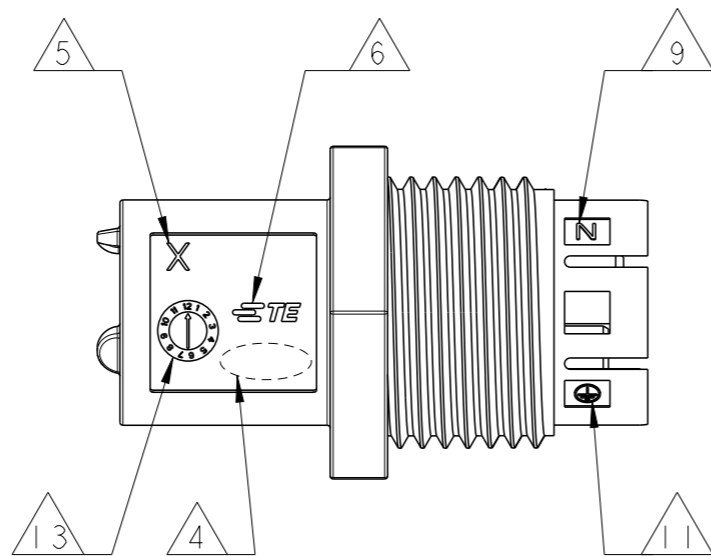
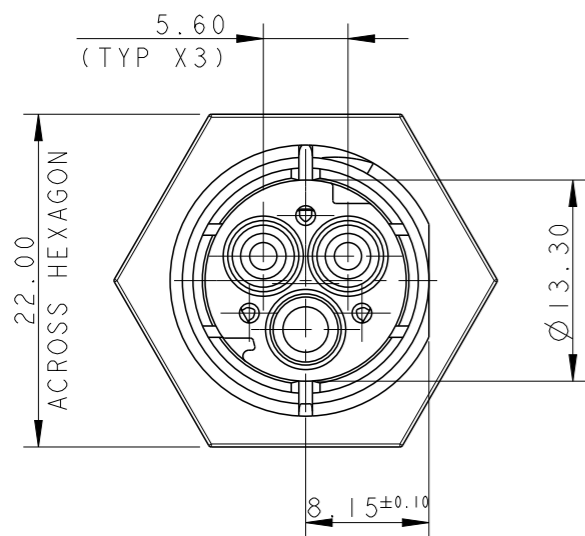
2011

© COPYRIGHT 2011 BY -

ALL RIGHTS RESERVED.

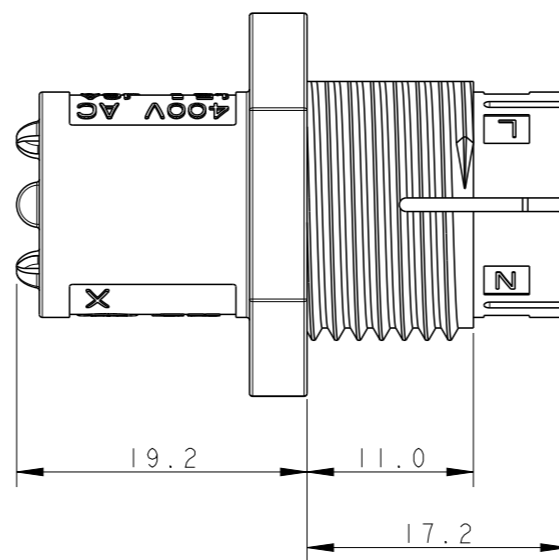
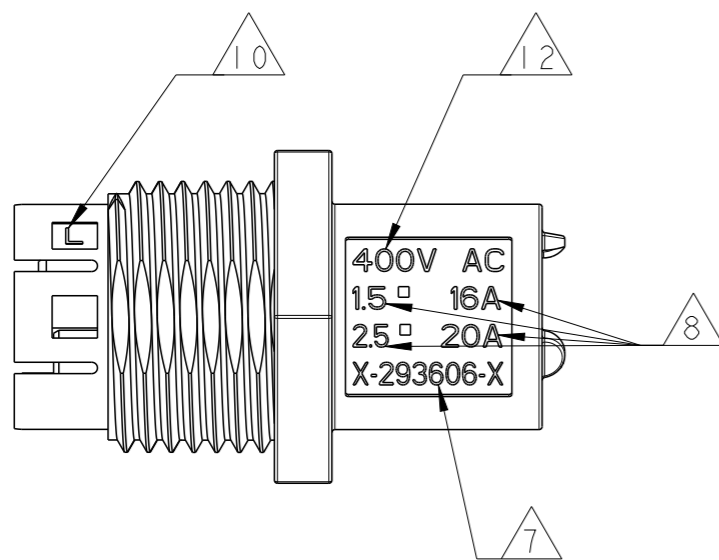
LOC	DIST
1	-

REVISIONS					
P	LTR	DESCRIPTION	DATE	DWN	APVD
B		PARTS -1 AND 1-1 RELEASED FOR PRODUCTION	12SEP2011	MZ	GT
B1		REVISED MARKINGS	06NOV2012	MZ	JC
B2		PARTS -2, -3, 1-2, 1-3	26JUN2013	KR	JC
B3		ECR-15-010109	21JUL2015	RS	PO

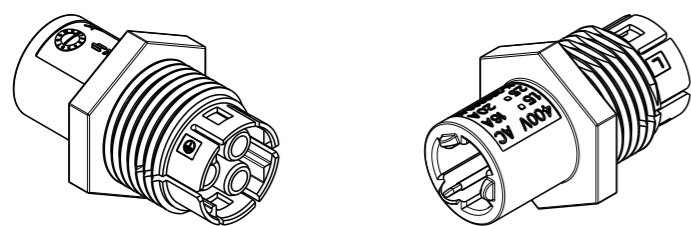


NOTES:

- 1 MATERIAL: POLYAMIDE GLASS FILLED COLOUR NATURAL
- 2 MATERIAL: POLYAMIDE GLASS FILLED COLOUR BLACK
- 3) PACKAGING: SEE TE PACKAGING SPEC. 107-20294
- 4 AREA FOR AGENCY APPROVAL LOGO
- 5 CAVITY MOULD I.D. & MANUFACTURING LOCATION CODE
- 6 TE LOGO
- 7 TE PART NUMBER
- 8 CONDUCTOR SIZE AND CURRENT RATING
- 9 N CODE
- 10 L CODE
- 11 PE CODE
- 12 RATED VOLTAGE
- 13 DATE CODE
- 14 PART NOT YET TOOLED AND NOT RELEASED FOR PRODUCTION



3D VIEWS, FOR REFERENCE ONLY



SCALE 1:1

THIS DRAWING IS A CONTROLLED DOCUMENT.

DIMENSIONS:	TOLERANCES UNLESS OTHERWISE SPECIFIED:
mm	
	0 PLC ±-
	1 PLC ±0.3
	2 PLC ±0.20
	3 PLC ±-
	4 PLC ±-
	ANGLES ±3°
	FINISH -

MATERIAL SEE NOTES

DWN	M. ZUCCA	06SEP2010
CHK	M. ZUCCA	06SEP2010
APVD	G. TURCO	06SEP2010
PRODUCT SPEC	108-20304	
APPLICATION SPEC	114-20152	
WEIGHT	~5.9 g	

TE Connectivity		NAME	
		SOCKET HOUSING PANEL MOUNT VERSION NECTOR* M-LINE	
SIZE	CAGE CODE	DRAWING NO	RESTRICTED TO
A3	00779	C-293606	-

Customer Drawing	SCALE 2:1	SHEET 1 OF 4	REV B3
------------------	-----------	--------------	--------

THIS DRAWING IS UNPUBLISHED.

RELEASED FOR PUBLICATION

2011

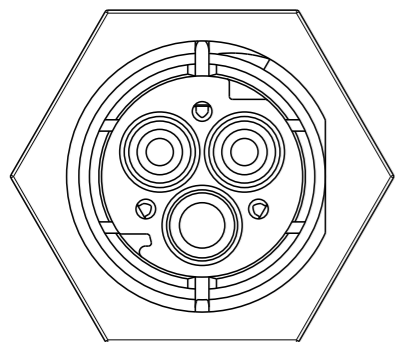
© COPYRIGHT 2011 BY -

ALL RIGHTS RESERVED.

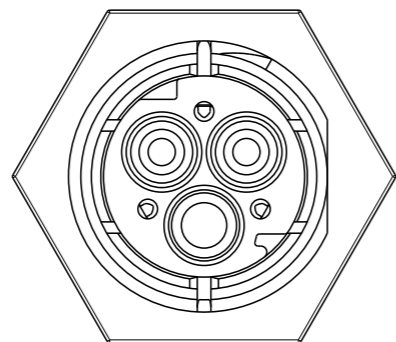
LOC	DIST	REVISIONS			
P	LTR	DESCRIPTION	DATE	DWN	APVD
	-	SEE SHEET 1	-	-	-

POLARIZATION TYPES

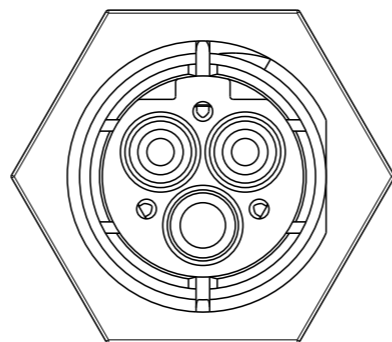
TYPE "A"



TYPE "B"



TYPE "C"

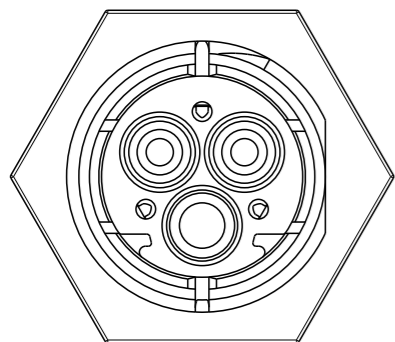


P/Ns: 0-293606-1,
1-293606-1

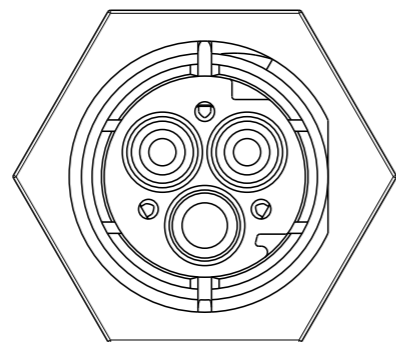
P/Ns: 0-293606-2,
1-293606-2

P/Ns: 0-293606-3,
1-293606-3

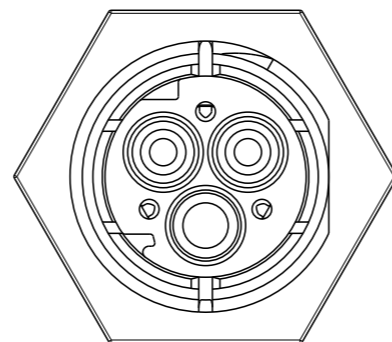
TYPE "D"



TYPE "E"



TYPE "F"




P/Ns: 0-293606-4,
1-293606-4,

P/Ns: 0-293606-5,
1-293606-5

P/Ns: 0-293606-6,
1-293606-6

NOTE	MATERIAL	POL. KEYING	COLOUR	DESCRIPTION	REV.	PART NUMBER
14	2	F	BLACK	SOCKET HOUSING PANEL MOUNT VERS. NECTOR* M-LINE	A	1-293606-6
14	2	E	BLACK	SOCKET HOUSING PANEL MOUNT VERS. NECTOR* M-LINE	A	1-293606-5
14	2	D	BLACK	SOCKET HOUSING PANEL MOUNT VERS. NECTOR* M-LINE	A	1-293606-4
	2	C	BLACK	SOCKET HOUSING PANEL MOUNT VERS. NECTOR* M-LINE	B	1-293606-3
	2	B	BLACK	SOCKET HOUSING PANEL MOUNT VERS. NECTOR* M-LINE	B	1-293606-2
	2	A	BLACK	SOCKET HOUSING PANEL MOUNT VERS. NECTOR* M-LINE	B	1-293606-1
14	1	F	NATURAL	SOCKET HOUSING PANEL MOUNT VERS. NECTOR* M-LINE	A	0-293606-6
14	1	E	NATURAL	SOCKET HOUSING PANEL MOUNT VERS. NECTOR* M-LINE	A	0-293606-5
14	1	D	NATURAL	SOCKET HOUSING PANEL MOUNT VERS. NECTOR* M-LINE	A	0-293606-4
	1	C	NATURAL	SOCKET HOUSING PANEL MOUNT VERS. NECTOR* M-LINE	B	0-293606-3
	1	B	NATURAL	SOCKET HOUSING PANEL MOUNT VERS. NECTOR* M-LINE	B	0-293606-2
	1	A	NATURAL	SOCKET HOUSING PANEL MOUNT VERS. NECTOR* M-LINE	B	0-293606-1

THIS DRAWING IS A CONTROLLED DOCUMENT.		DWN M. ZUCCA 06SEP2010	 TE Connectivity	
DIMENSIONS: mm		CHK M. ZUCCA 06SEP2010		
TOLERANCES UNLESS OTHERWISE SPECIFIED:		APVD G. TURCO 06SEP2010	NAME SOCKET HOUSING PANEL MOUNT VERSION NECTOR* M-LINE	
0 PLC ±- 1 PLC ±0.3 2 PLC ±0.20 3 PLC ±- 4 PLC ±- ANGLES ±3° FINISH -		PRODUCT SPEC 108-20304	SIZE A300779	
MATERIAL SEE NOTES		APPLICATION SPEC 114-20152	DRAWING NO C-293606	
		WEIGHT ~5.9 g	RESTRICTED TO -	
		Customer Drawing	SCALE 2:1	SHEET 2 OF 4
			REV B3	

THIS DRAWING IS UNPUBLISHED.

RELEASED FOR PUBLICATION

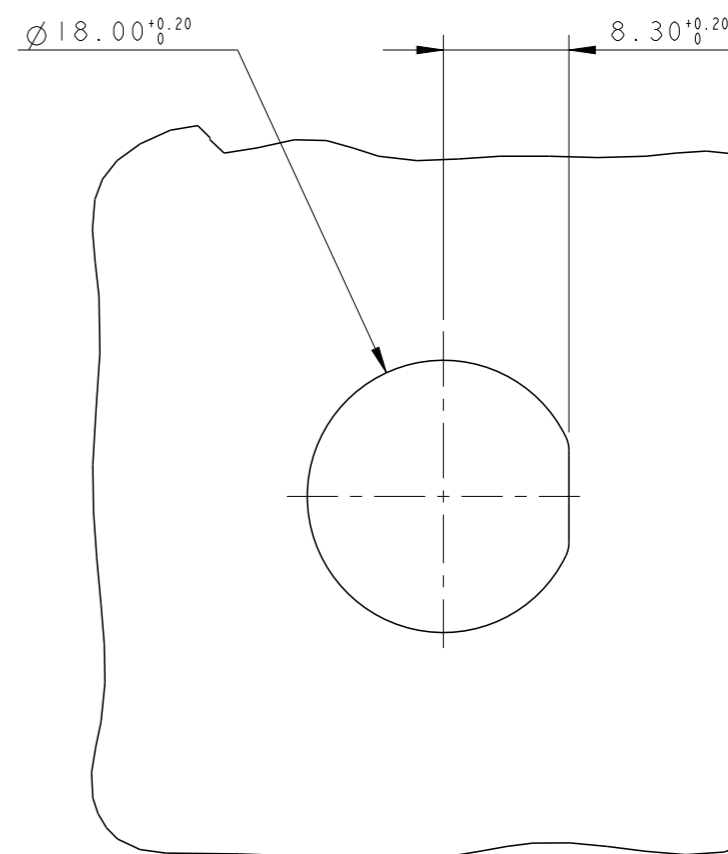
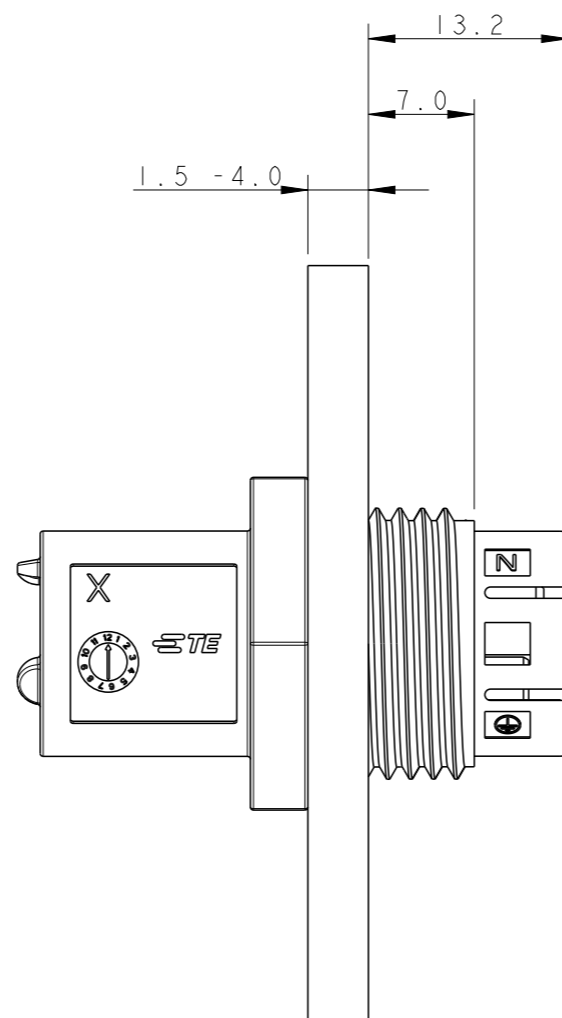
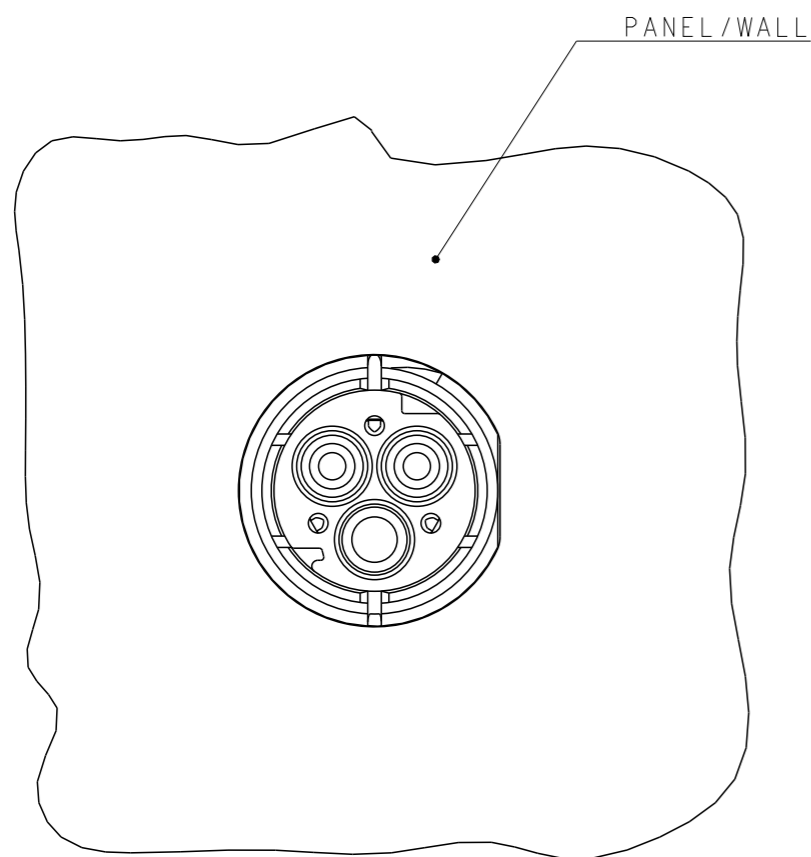
2011


© COPYRIGHT 2011 BY -

ALL RIGHTS RESERVED.

LOC	DIST	REVISIONS					
		P	LTR	DESCRIPTION	DATE	DWN	APVD
1	-		-	SEE SHEET 1	-	-	-

PANEL / WALL
SUGGESTED CUT OUT



THIS DRAWING IS A CONTROLLED DOCUMENT.		DWN M. ZUCCA 06SEP2010	 STE TE Connectivity	
DIMENSIONS: mm		CHK M. ZUCCA 06SEP2010		
TOLERANCES UNLESS OTHERWISE SPECIFIED:		APVD G. TURCO 06SEP2010	NAME SOCKET HOUSING PANEL MOUNT VERSION NECTOR* M-LINE	
0 PLC ±- 1 PLC ±0.3 2 PLC ±0.20 3 PLC ±- 4 PLC ±- ANGLES ±3°		PRODUCT SPEC 108-20304	SIZE A300779	CAGE CODE C-293606
MATERIAL SEE NOTES		APPLICATION SPEC 114-20152	DRAWING NO	RESTRICTED TO
FINISH -		WEIGHT ~5.9 g	SCALE 2:1	SHEET 3 OF 4
		Customer Drawing	REV B3	

THIS DRAWING IS UNPUBLISHED.

RELEASED FOR PUBLICATION

2011

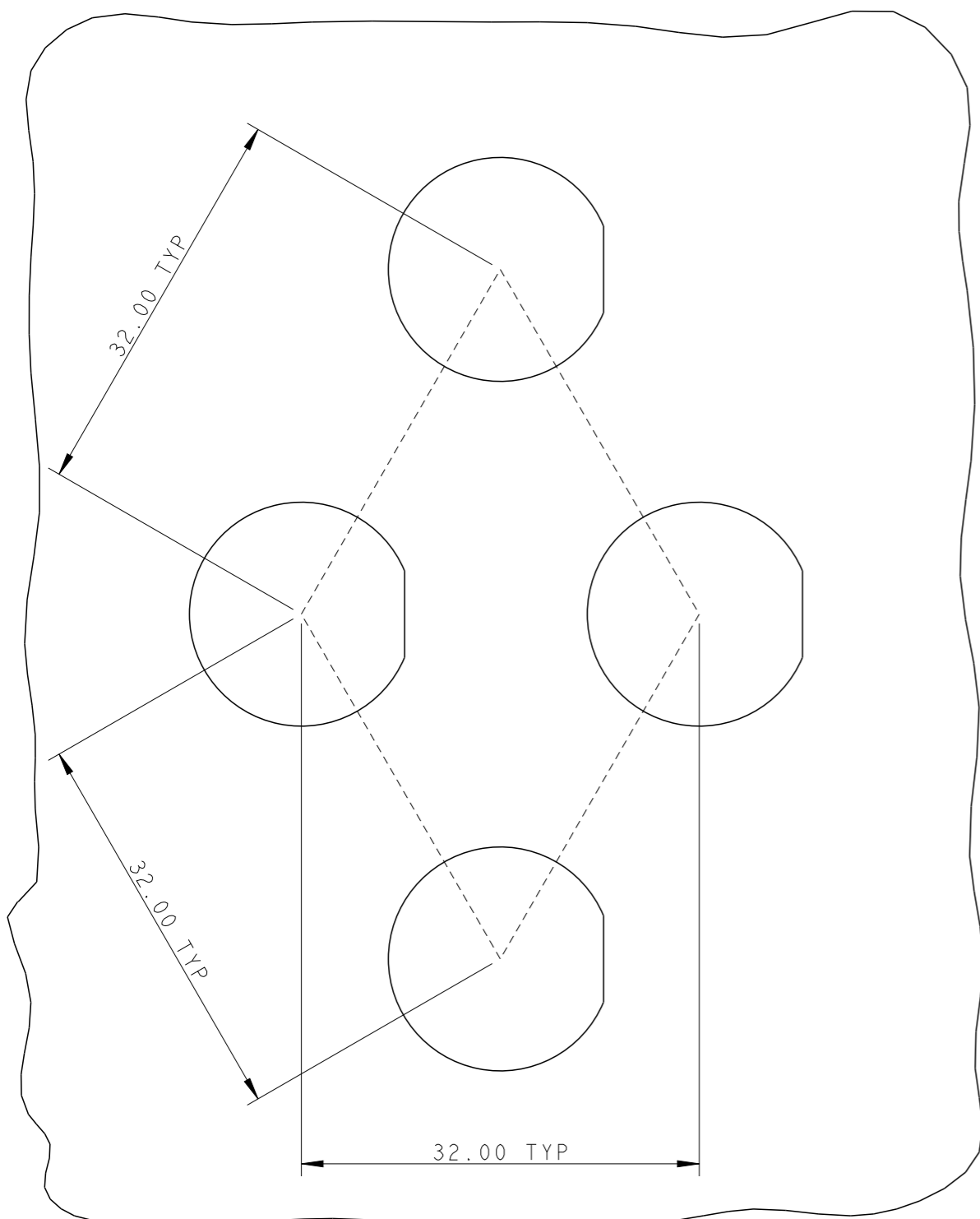
© COPYRIGHT 2011 BY -

ALL RIGHTS RESERVED.

LOC	DIST	REVISIONS			
P	LTR	DESCRIPTION	DATE	DWN	APVD
	-	SEE SHEET 1	-	-	-

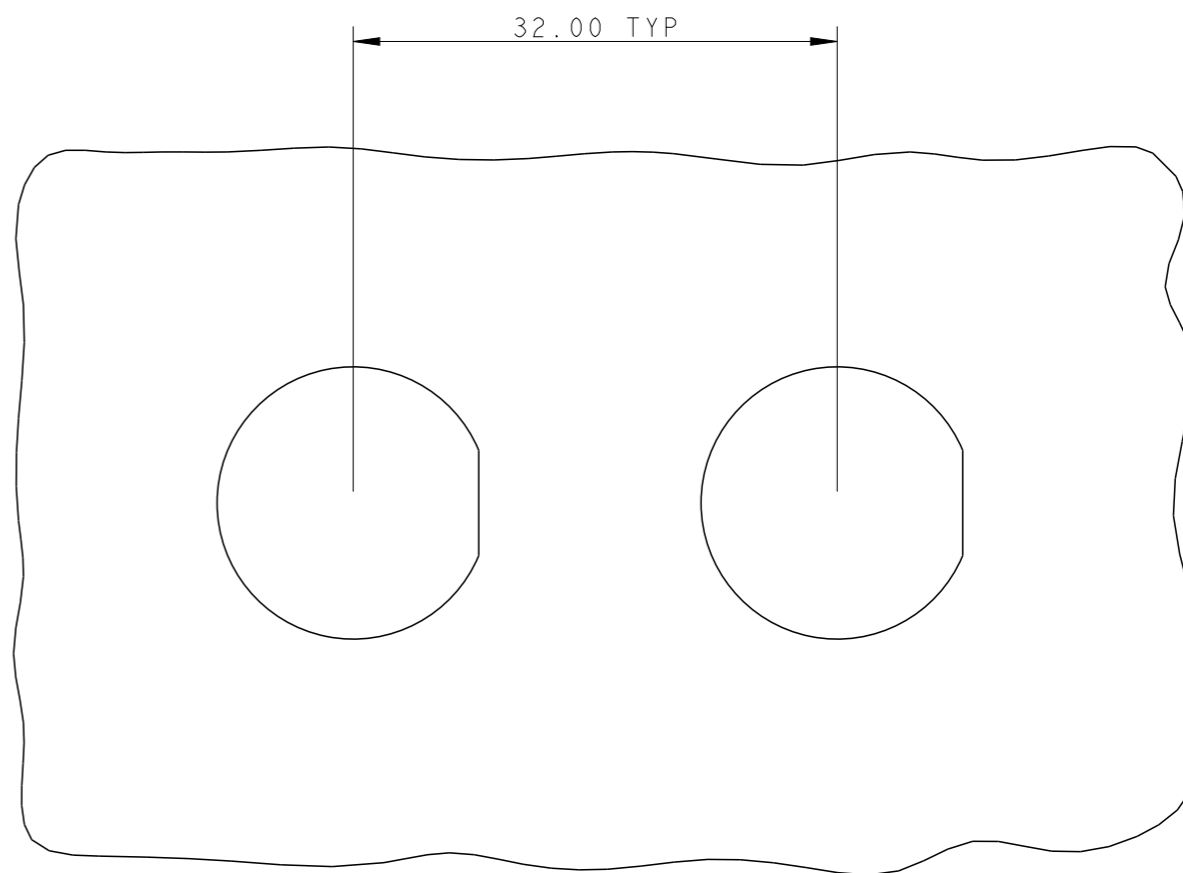
PANEL / WALL
SUGGESTED CUT OUT FOR
MULTIPLE HOLES ON MULTIPLE ROWS


(PITCH CAN BE ADJUSTED TO CUSTOMER
 NEED BUT IN ANY CASE MUST NOT BE LESS
 THAN 30.00 mm)



PANEL / WALL
SUGGESTED CUT OUT FOR
MULTIPLE HOLES ON SINGLE ROW

(PITCH CAN BE ADJUSTED TO CUSTOMER
 NEED BUT IN ANY CASE MUST NOT BE LESS
 THAN 30.00 mm)



THIS DRAWING IS A CONTROLLED DOCUMENT.		DWN M. ZUCCA	06SEP2010	 TE Connectivity	
DIMENSIONS: mm		CHK M. ZUCCA	06SEP2010		
TOLERANCES UNLESS OTHERWISE SPECIFIED:		APVD G. TURCO	06SEP2010		
0 PLC ± 1 PLC ±0.3 2 PLC ±0.20 3 PLC ± 4 PLC ± ANGLES ±3°		PRODUCT SPEC 108-20304	NAME SOCKET HOUSING PANEL MOUNT VERSION NECTOR* M-LINE		
MATERIAL SEE NOTES		FINISH	-	APPLICATION SPEC 114-20152	RESTRICTED TO
		WEIGHT	~5.9 g	SIZE A3	CAGE CODE 00779
		Customer Drawing		DRAWING NO C-293606	
		SCALE	2:1	SHEET	4 OF 4
				REV	B3