

THIS DRAWING IS UNPUBLISHED.

RELEASED FOR PUBLICATION

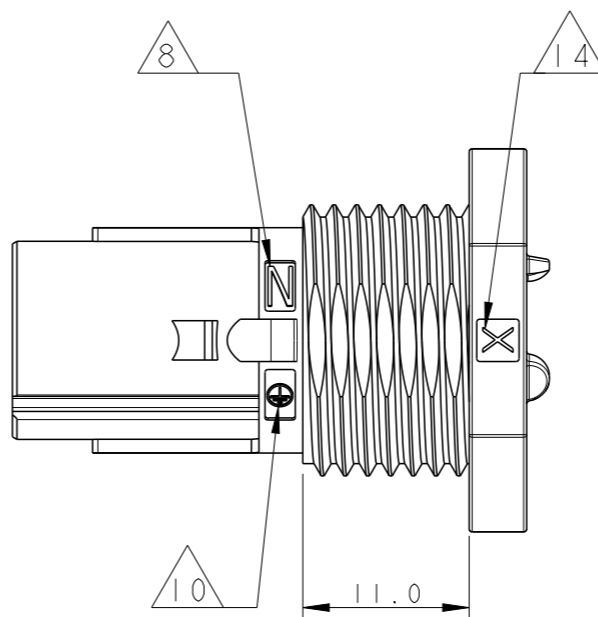
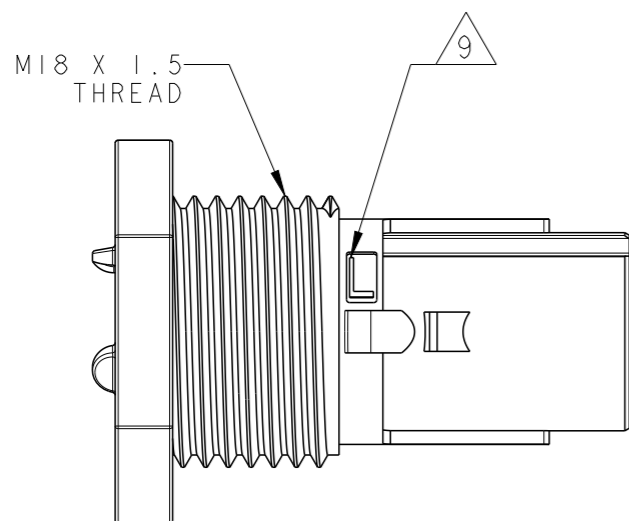
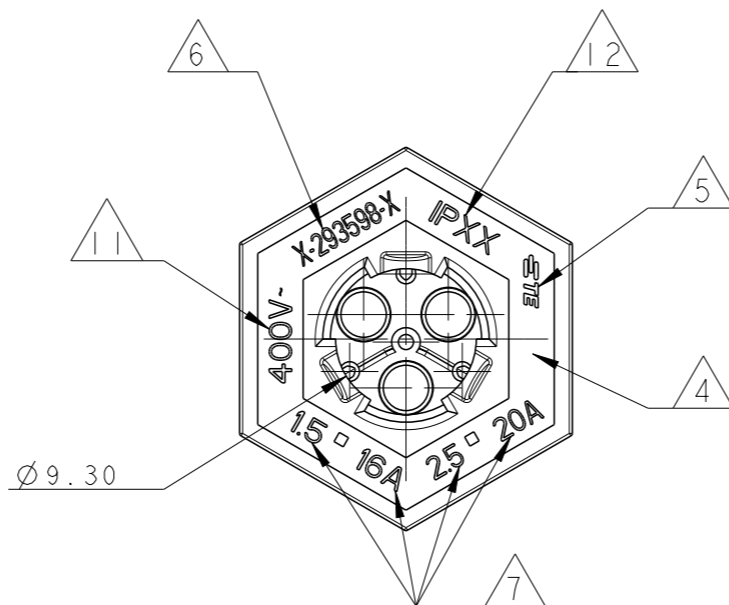
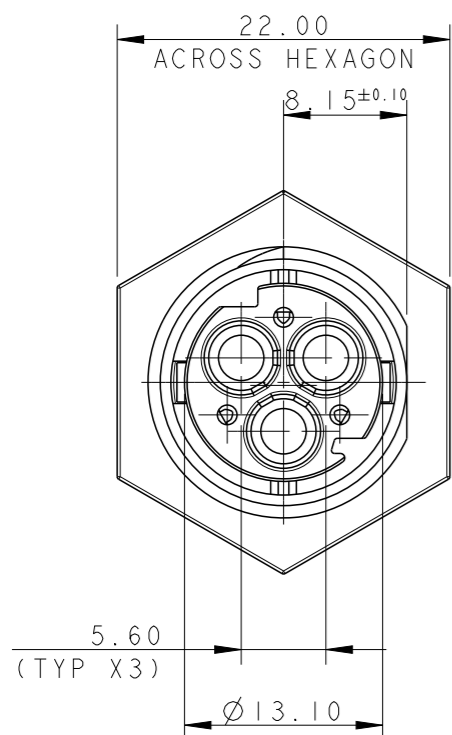
2011

© COPYRIGHT 2011 BY -

ALL RIGHTS RESERVED.

LOC	DIST
1	-

REVISIONS					
P	LTR	DESCRIPTION	DATE	DWN	APVD
	E	PARTS -1 AND 1-1 RELEASED FOR PRODUCTION	12SEP2011	MZ	GT
	E1	REVISED MARKINGS	06NOV2012	MZ	JC
	F	PARTS -2, -3, 1-2, 1-3 RELEASED FOR PRODUCTION	26JUN2013	KR	JC



- NOTES:
- 1 MATERIAL: POLYAMIDE GLASS FILLED COLOUR NATURAL
  - 2 MATERIAL: POLYAMIDE GLASS FILLED COLOUR BLACK
  - 3) PACKAGING: SEE TE PACKAGING SPECIFICATION 107-20294
  - 4 AREA FOR AGENCY APPROVAL LOGO
  - 5 TE LOGO
  - 6 TE PART NUMBER
  - 7 CONDUCTOR SIZE AND CURRENT RATING
  - 8 N CODE
  - 9 L CODE
  - 10 PE CODE
  - 11 RATED VOLTAGE
  - 12 IP CODE
  - 13 PART NOT YET TOOLED AND NOT RELEASED FOR PRODUCTION
  - 14 CAVITY MOULD CODE

3D VIEWS, FOR REFERENCE ONLY



SCALE 1:1

THIS DRAWING IS A CONTROLLED DOCUMENT.

DIMENSIONS: mm	
MATERIAL SEE NOTES	

TOLERANCES UNLESS OTHERWISE SPECIFIED:	
0 PLC	±-
1 PLC	±0.3
2 PLC	±0.20
3 PLC	±-
4 PLC	±-
ANGLES	±3°
FINISH	-

DWN	M. ZUCCA	29OCT2009
CHK	M. ZUCCA	29OCT2009
APVD	G. TURCO	29OCT2009
PRODUCT SPEC	108-20304	
APPLICATION SPEC	114-20452	
WEIGHT	~6.2 g	

TE Connectivity				NAME	
				PIN HOUSING PANEL MOUNT VERSION NECTOR* M-LINE	
SIZE	CAGE CODE	DRAWING NO	RESTRICTED TO		
A3	00779	C-293598	-		

THIS DRAWING IS UNPUBLISHED.

RELEASED FOR PUBLICATION

2011

© COPYRIGHT 2011 BY -

ALL RIGHTS RESERVED.

LOC	DIST	REVISIONS					
		P	LTR	DESCRIPTION	DATE	DWN	APVD
1	-		-	SEE SHEET 1	-	-	-

### PLARIZATION KEYS

TYPE "A"	TYPE "B"	TYPE "C"
P/Ns: 0-293598-1, 1-293598-1, 2-293598-1	P/Ns: 0-293598-2, 1-293598-2, 2-293598-2	P/Ns: 0-293598-3, 1-293598-3, 2-293598-3
TYPE "D"	TYPE "E"	TYPE "F"
P/Ns: 0-293598-4, 1-293598-4, 2-293598-4	P/Ns: 0-293598-5, 1-293598-5, 2-293598-5	P/Ns: 0-293598-6, 1-293598-6, 2-293598-6

13	67	F	BLACK	2	PIN HSG PANEL MOUNT VERS. NECTOR* M-LINE	D	2-293598-6
13	67	E	BLACK	2	PIN HSG PANEL MOUNT VERS. NECTOR* M-LINE	D	2-293598-5
13	67	D	BLACK	2	PIN HSG PANEL MOUNT VERS. NECTOR* M-LINE	D	2-293598-4
13	67	C	BLACK	2	PIN HSG PANEL MOUNT VERS. NECTOR* M-LINE	D	2-293598-3
13	67	B	BLACK	2	PIN HSG PANEL MOUNT VERS. NECTOR* M-LINE	D	2-293598-2
13	67	A	BLACK	2	PIN HSG PANEL MOUNT VERS. NECTOR* M-LINE	D	2-293598-1
13	40	F	BLACK	2	PIN HSG PANEL MOUNT VERS. NECTOR* M-LINE	D	1-293598-6
13	40	E	BLACK	2	PIN HSG PANEL MOUNT VERS. NECTOR* M-LINE	D	1-293598-5
13	40	D	BLACK	2	PIN HSG PANEL MOUNT VERS. NECTOR* M-LINE	D	1-293598-4
	40	C	BLACK	2	PIN HSG PANEL MOUNT VERS. NECTOR* M-LINE	F	1-293598-3
	40	B	BLACK	2	PIN HSG PANEL MOUNT VERS. NECTOR* M-LINE	F	1-293598-2
	40	A	BLACK	2	PIN HSG PANEL MOUNT VERS. NECTOR* M-LINE	F	1-293598-1
13	40	F	NATURAL	1	PIN HSG PANEL MOUNT VERS. NECTOR* M-LINE	D	0-293598-6
13	40	E	NATURAL	1	PIN HSG PANEL MOUNT VERS. NECTOR* M-LINE	D	0-293598-5
13	40	D	NATURAL	1	PIN HSG PANEL MOUNT VERS. NECTOR* M-LINE	D	0-293598-4
	40	C	NATURAL	1	PIN HSG PANEL MOUNT VERS. NECTOR* M-LINE	F	0-293598-3
	40	B	NATURAL	1	PIN HSG PANEL MOUNT VERS. NECTOR* M-LINE	F	0-293598-2
	40	A	NATURAL	1	PIN HSG PANEL MOUNT VERS. NECTOR* M-LINE	F	0-293598-1
NOTE	IP DEGREE CODE	POL. KEYING	COLOUR	MATERIAL	DESCRIPTION	REV.	PART NUMBER

THIS DRAWING IS A CONTROLLED DOCUMENT.

DIMENSIONS: mm	TOLERANCES UNLESS OTHERWISE SPECIFIED: 0 PLC ± 1 PLC ±0.3 2 PLC ±0.20 3 PLC ± 4 PLC ± ANGLES ±3° FINISH -
MATERIAL SEE NOTES	

DWN	M. ZUCCA	29OCT2009
CHK	M. ZUCCA	29OCT2009
APVD	G. TURCO	29OCT2009
PRODUCT SPEC	108-20304	
APPLICATION SPEC	114-20452	
WEIGHT	~6.2 g	

**STE** TE Connectivity

NAME: PIN HOUSING PANEL MOUNT VERSION NECTOR\* M-LINE

SIZE: A3 CAGE CODE: 00779 DRAWING NO: C-293598

RESTRICTED TO: -

Customer Drawing SCALE: 2:1 SHEET: 2 OF 4 REV: F

THIS DRAWING IS UNPUBLISHED.

RELEASED FOR PUBLICATION

2011

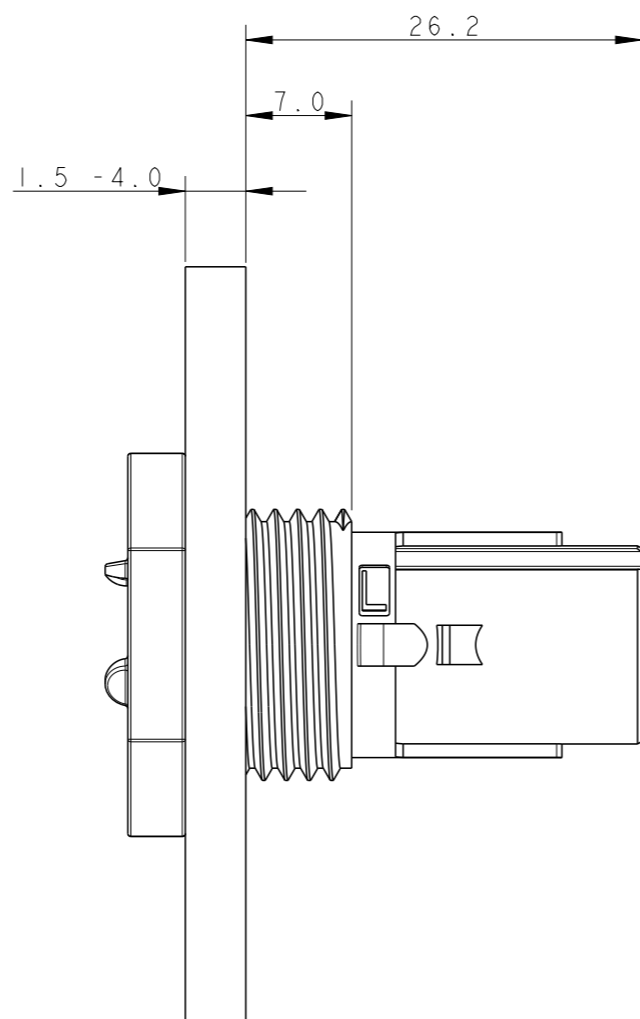
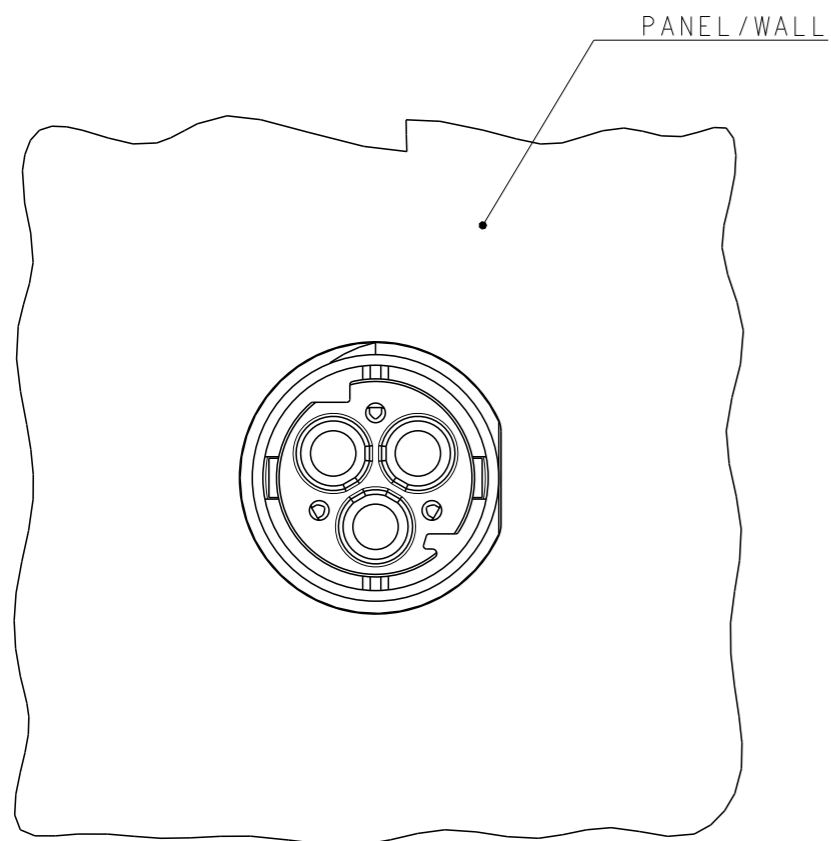
© COPYRIGHT 2011 BY -

ALL RIGHTS RESERVED.

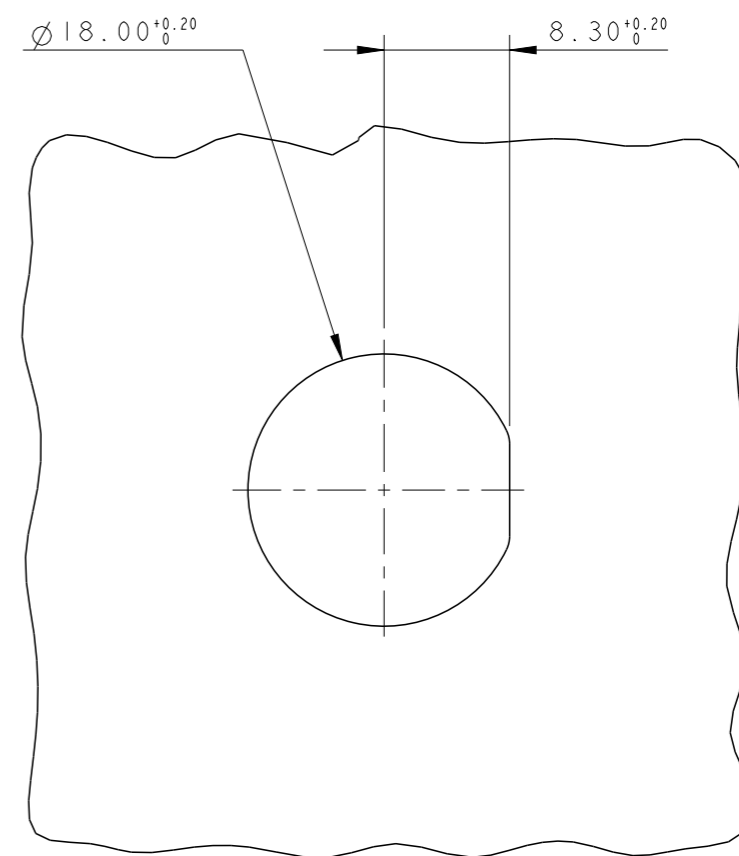
LOC  
1  
DIST  
-

REVISIONS

P	LTR	DESCRIPTION	DATE	DWN	APVD
-	-	SEE SHEET 1	-	-	-

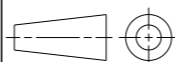


PANEL / WALL  
SUGGESTED CUT OUT



THIS DRAWING IS A CONTROLLED DOCUMENT.

DIMENSIONS:  
mm



TOLERANCES UNLESS OTHERWISE SPECIFIED:

- 0 PLC ±-
- 1 PLC ±0.3
- 2 PLC ±0.20
- 3 PLC ±-
- 4 PLC ±-
- ANGLES ±3°

MATERIAL SEE NOTES

FINISH

-

DWN M. ZUCCA 29OCT2009

CHK M. ZUCCA 29OCT2009

APVD G. TURCO 29OCT2009

PRODUCT SPEC  
108-20304

APPLICATION SPEC  
114-20452

WEIGHT ~6.2 g

NAME  
PIN HOUSING  
PANEL MOUNT VERSION  
NECTOR\* M-LINE

SIZE CAGE CODE DRAWING NO RESTRICTED TO

A300779 C-293598

Customer Drawing

SCALE 2:1

SHEET 3 OF 4

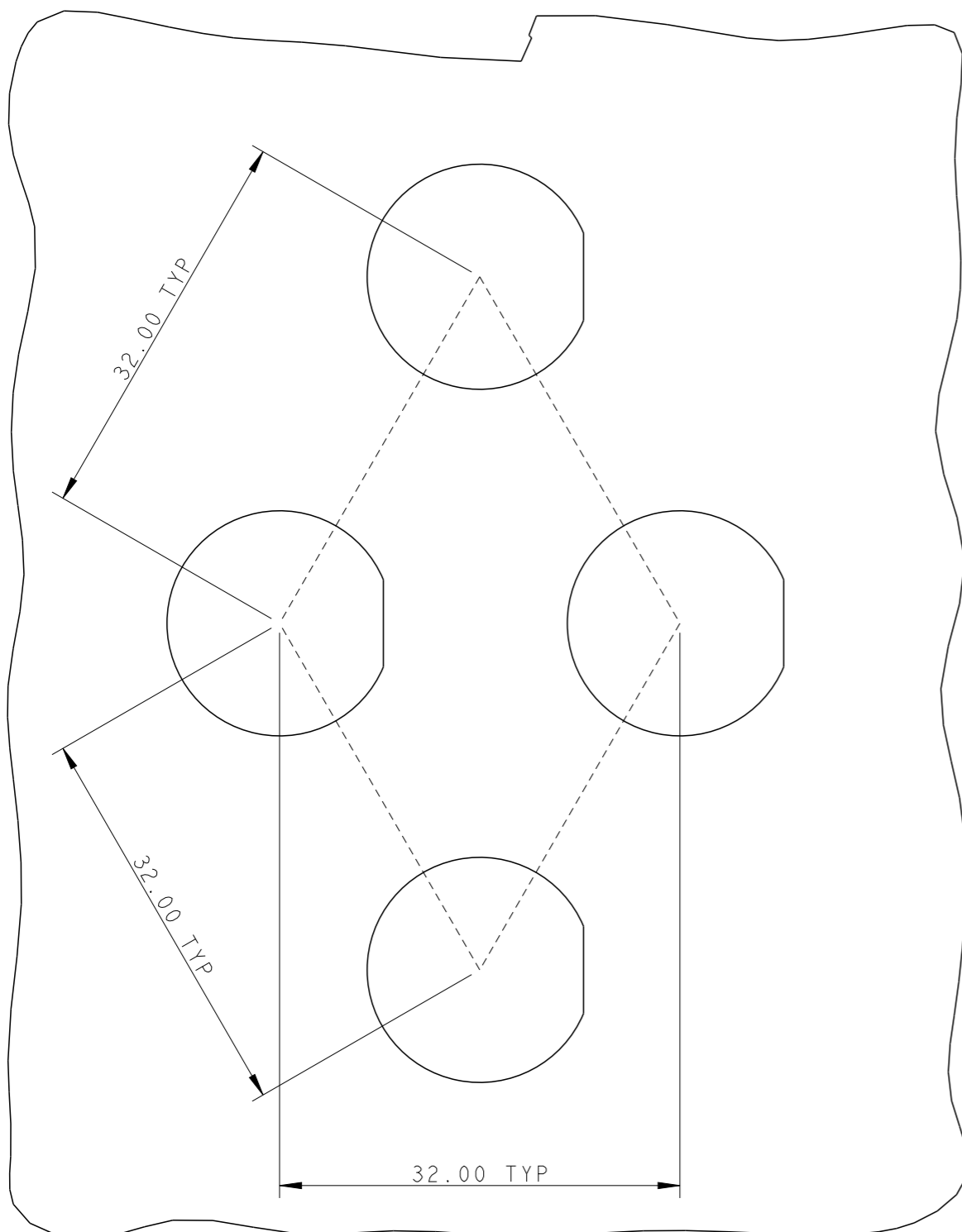
REV F



LOC	DIST	REVISIONS			
P	LTR	DESCRIPTION	DATE	DWN	APVD
	-	SEE SHEET 1	-	-	-

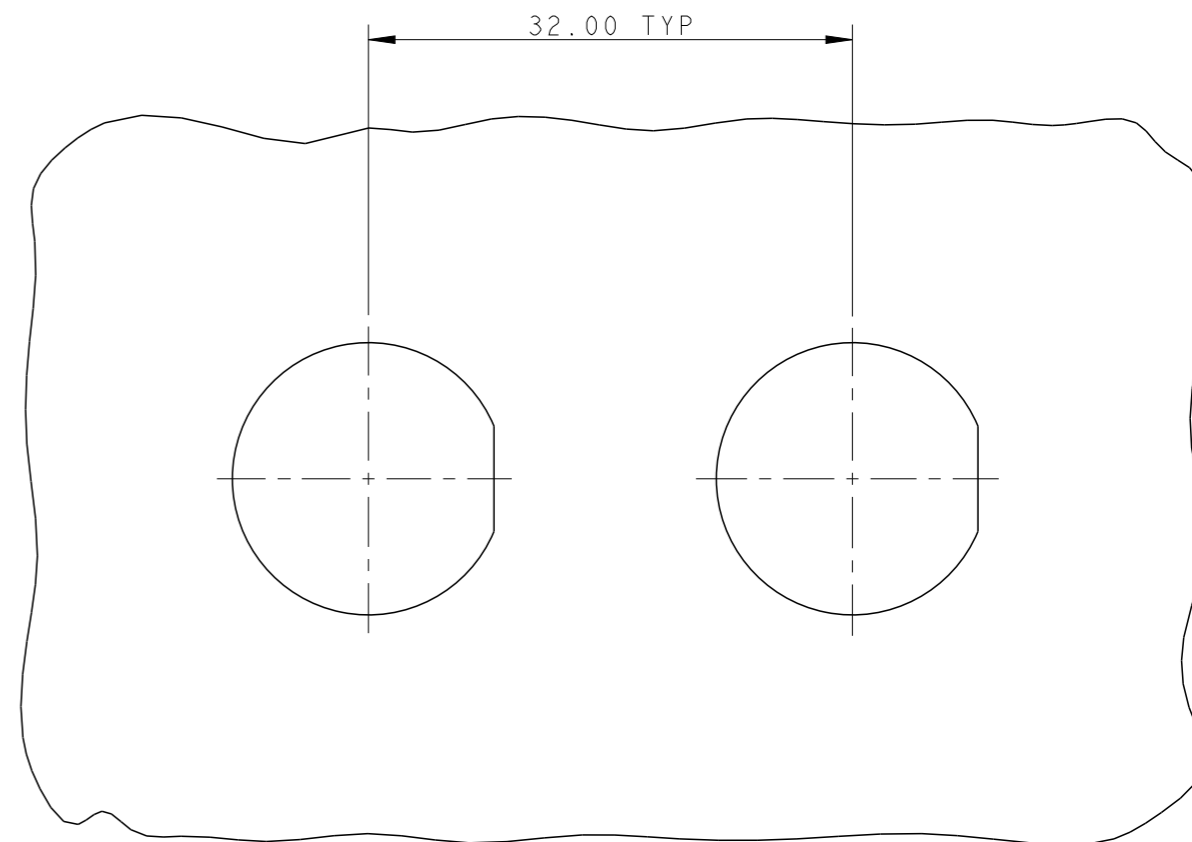
PANEL / WALL  
SUGGESTED CUT OUT FOR  
MULTIPLE HOLES ON MULTIPLE ROWS

(PITCH CAN BE ADJUSTED TO CUSTOMER  
 NEED BUT IN ANY CASE MUST NOT BE LESS  
 THAN 30.00 mm)

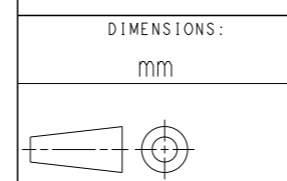


PANEL / WALL  
SUGGESTED CUT OUT FOR  
MULTIPLE HOLES ON SINGLE ROW

(PITCH CAN BE ADJUSTED TO CUSTOMER  
 NEED BUT IN ANY CASE MUST NOT BE LESS  
 THAN 30.00 mm)




THIS DRAWING IS A CONTROLLED DOCUMENT.



MATERIAL SEE NOTES

DIMENSIONS:		TOLERANCES UNLESS OTHERWISE SPECIFIED:	
	mm		
0 PLC		±	
1 PLC		±0.3	
2 PLC		±0.20	
3 PLC		±	
4 PLC		±	
ANGLES			±3°
FINISH		-	

DWN	M. ZUCCA	29OCT2009
CHK	M. ZUCCA	29OCT2009
APVD	G. TURCO	29OCT2009
PRODUCT SPEC	108-20304	
APPLICATION SPEC	114-20452	
WEIGHT	~6.2 g	

 TE Connectivity			NAME		RESTRICTED TO
			PIN HOUSING PANEL MOUNT VERSION NECTOR* M-LINE		
SIZE	CAGE CODE	DRAWING NO			
A3	00779	C-293598			

Customer Drawing	SCALE 2:1	SHEET 4 OF 4	REV F
------------------	-----------	--------------	-------