



2017-V1.0-0614

Specifications

LED Power Supplies for Outdoor Use

LGCU-60C Series, 60W

PAIRUI ELECTRONICS

No. 545 Museum Road
Yangzhou, Jiangsu
China 225009

Tel: 86 (514) 8279 1592

Fax: 86 (514) 8769 3159

2016

LED Power Supplies for Outdoor Use

LGCU-60C SERIES, 60WATT, IP67 RATING

Features

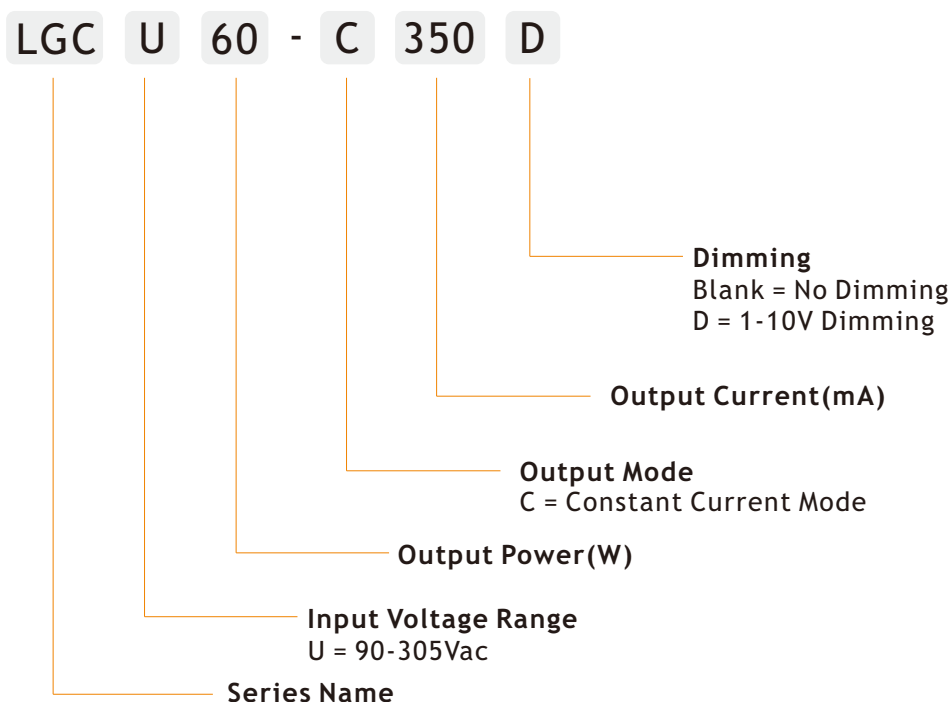
- 5 Year Warranty
- Universal Input Voltage Range: 90~305Vac
- Constant Current Output Mode
- High PF up to 0.99
- Rating IP67, Suitable for Outdoor Applications
- All Round Protections: Short Circuit, Over Voltage, Over Current, Over Temperature
- 1-10V Dimming



Applications

- ✓ Street Light
- ✓ Tunnel Light
- ✓ Flood Light
- ✓ Refrigeration Equipment
- ✓ Other Light Fixtures for Outdoor Use

Electrical



Electrical

Part Number	Nominal Input Range	Output Current Output Voltage	No Load Output Voltage	Ripple	Efficiency	Certificate
LGCU60-C350	100-277Vac	350mA(120-171Vdc)	188Vdc	50%	90%	CE
LGCU60-C450	100-277Vac	450mA(93-133Vdc)	146Vdc	50%	90%	CE
LGCU60-C700	100-277Vac	700mA(60-85Vdc)	94Vdc	50%	88%	CE
LGCU60-C1050	100-277Vac	1050mA(40-57Vdc)	63Vdc	50%	88%	CE
LGCU60-C1400	100-277Vac	1400mA(31-43Vdc)	47Vdc	50%	87%	CE
LGCU60-C1700	100-277Vac	1700mA(25-36Vdc)	39Vdc	50%	87%	CE
LGCU60-C1750	100-277Vac	1750mA(24-34Vdc)	37Vdc	50%	87%	CE
LGCU60-C2100	100-277Vac	2100mA(20-28Vdc)	31Vdc	50%	87%	CE

NOTE:

1. Other output models are may available on request;
2. Add suffix "D" for 1-10V dimming.

INPUT

PARAMETER	CONDITIONS	MIN	TYP	MAX	UNITS
Input voltage		90		305	Vac
Input frequency		47		63	Hz
Input current	Full load, Vin=230Vac		0.32		A
Inrush current	Cold start, Vin=230Vac			65	A
Power factor(PF)	Full load, Vin=110Vac Full load, Vin=220Vac		0.99 0.95		
Leakage current	Vin=230Vac, 50Hz		0.75		mA
Surge voltage	L-N L, N-FG		4 6		KV KV

OUTPUT

PARAMETER	CONDITIONS	MIN	TYP	MAX	UNITS
Output current accuracy			5		%
Line regulation	Vin from 100Vac to 277Vac			1	%
Load regulation	Vout from min. to max.			3	%
Output current overshoot	Turning on			10	%
Turn-on delay time	Cold start, power on		1		S
Ripple	Please refer to below measurement method		50%Io		mAp-p
THD	Output load≥50%			20	%

NOTE: The values are measured at 20MHz of bandwidth by using a 12'' twisted pair-wire terminated with 0.1uF & 47uF parallel capacitor under ambient temperature 25°C at rated input voltage and rated load.

Protection

Short circuit	In hiccup mode, it will recover automatically after fault condition is removed
Over voltage	110-150% Vout In hiccup mode, it will recover automatically after fault condition is removed
Over current	In hiccup mode, it will recover automatically after fault condition is removed
Over temperature	In hiccup mode, it will recover automatically after fault condition is removed

Environment

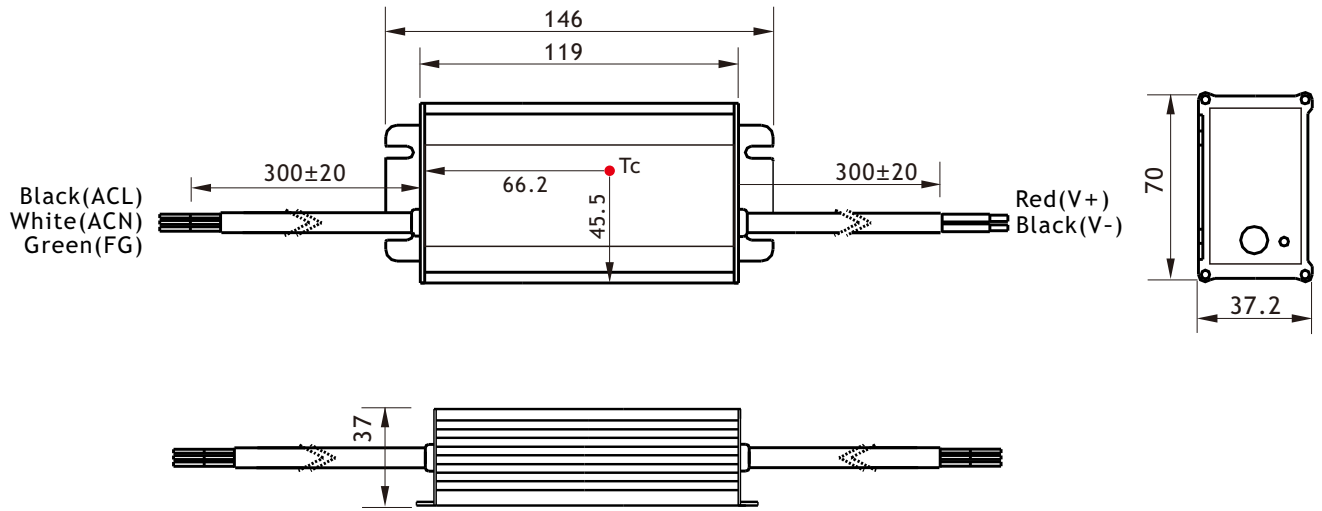
PARAMETER	CONDITIONS	MIN	TYP	MAX	UNITS
Ambient operating temperature	Startup at rated voltage	-35		+70	°C
Operating relative humidity	Non condensing	10		95	%
Storage temperature	Humidity 5 ~ 100% RH	-40		+85	°C
Maximum case temperature	Hot-spot on case			+90	°C
MTBF	Full load, 220Vac input, 25°C ambient temperature			400	Khrs
Waterproof rating	IP67				
Dimension(LxWxH)	146.0 x 70.0 x 37.0mm				
Weight	520g				

Safety/EMC

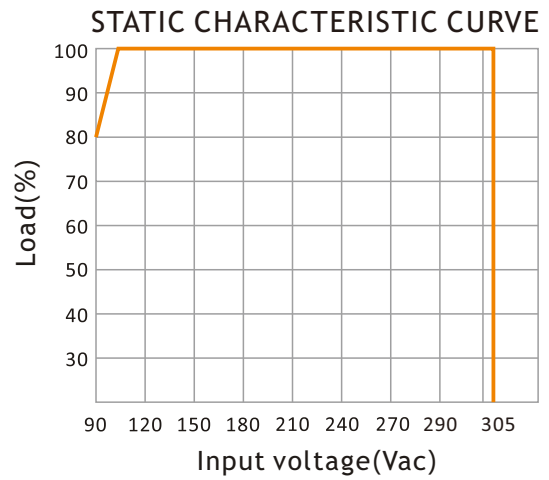
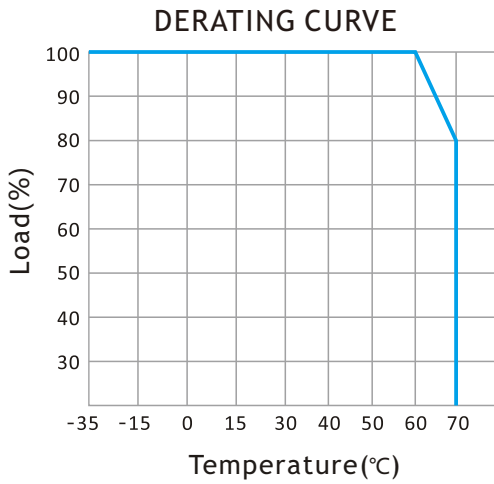
Safety	Design refer to UL8750, UL935, UL1012, UL1310 Class 2, EN61347, EN61347-2-13
EMC	Compliance to EN55015, FCC Part 15 Class B, EN61000-3-2, EN61000-3-3, EN61000-4-2, 3, 4, 6, 8, 11, EN61547

NOTE: Unless otherwise specified, all the above parameters are measured at ambient temperature of 25°C and Vin=100Vac to 277Vac.

Mechanical

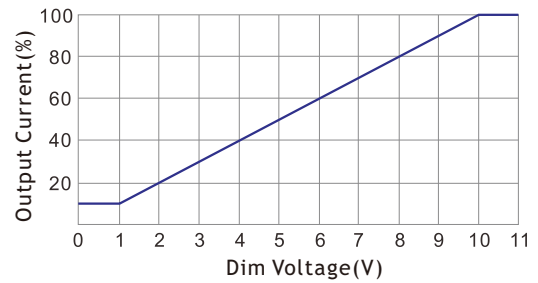
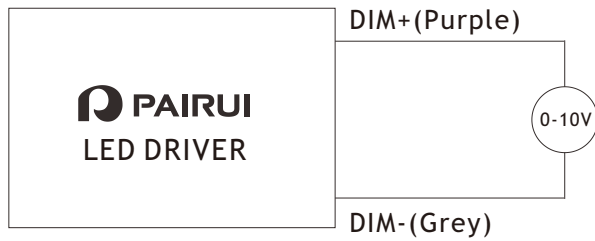


Electrical Curve

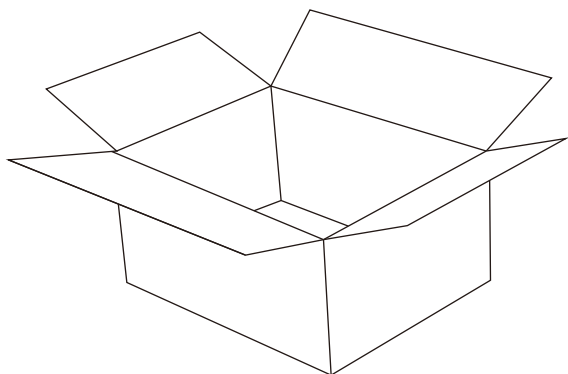


Dimming Function

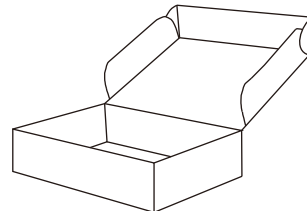
0-10V Dimming



Package



Outer Carton
L 620 x W 260 x H 185mm



Inner Box
L 245 x W 102.5 x H 46mm

SERIES	QTY/BOX	QTY/CARTON	NET WEIGHT	GROSS WEIGHT	VOLUME
LGCU-60C	1 piece	18 boxes	9.4kg/carton	11.0kg/carton	0.03CBM/carton

