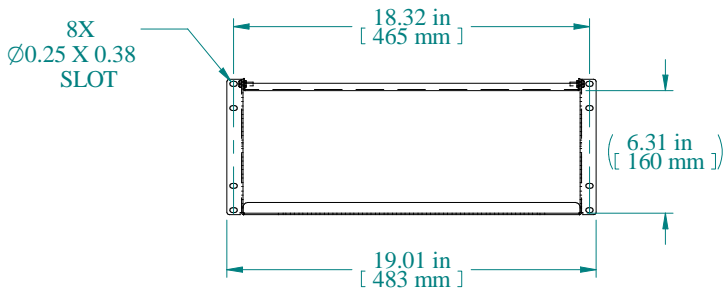
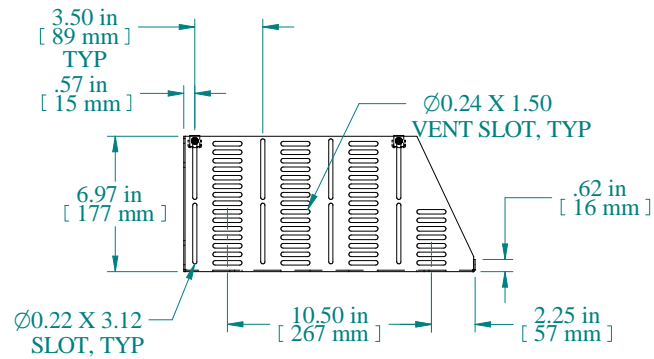


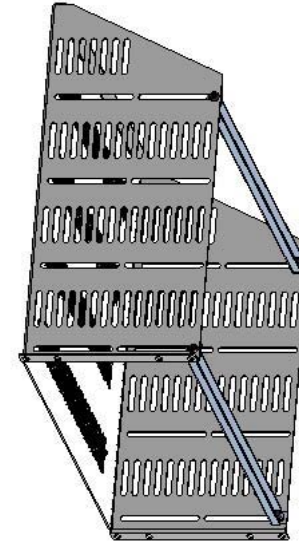
TOP VIEW



FRONT VIEW



SIDE VIEW



Item Number	Title	Quantity
1	RACSV - CLAMPING SHELF (4U)	1
2	RACS - CLAMPING BRACKET	2
3	SCREW 10-32 X 5/8"	4

Data subject to change without notice. Isometric drawing not to scale.

PART NUMBERS	
RACSV190715BK1	PAINTED BLACK TEXTURED

NOTES
Maximum Weight 200 lb Hardware for Clamping Brackets Included Mounting Hardware Not Included



**HAMMOND  
MANUFACTURING™**  
www.hammondmfg.com  
PART NO. RACSV190715