

TECHNICAL CHARACTERISTICS

MATERIAL
 INSULATOR: LCP
 FLAMABILITY RATING: UL94-V0
 COLOR: BLACK
 CONTACT MATERIAL: COPPER ALLOY
 CONTACT TYPE: STAMPED
 CONTACT PLATING: SELECTIVE GOLD
 LATCH: STAINLESS STEEL Ni PLATED
 QUALITY CLASS: 1500 MATING CYCLES

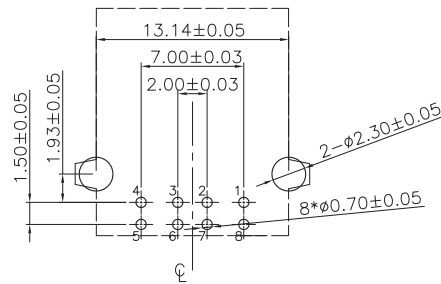
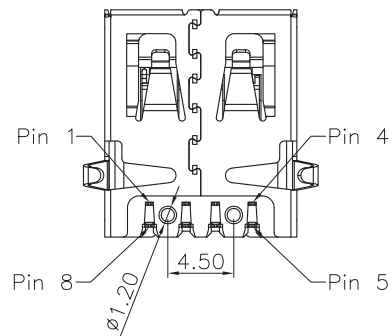
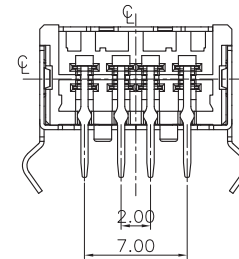
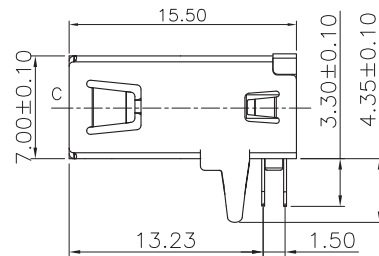
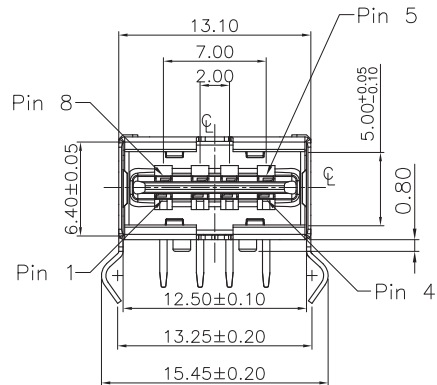
ENVIRONMENTAL
 OPERATING TEMPERATURE: -40 UP TO 105°C
 COMPLIANCE: LEAD FREE AND ROHS

ELECTRICAL
 CURRENT RATING: 1.5A
 WORKING VOLTAGE: 30VAC
 INSULATOR RESISTANCE: >1000 MOHM
 DIELECTRIC WITHSTANDING VOLTAGE: 500VAC/MN
 CONTACT RESISTANCE: 30 MOHM MAX

STANDARD
 UL CERTIFIED: E323964

SOLDERING
 WAVE & REFLOW PROCESS

PACKAGING
 TAPE & REEL



RECOMMENDED P.C.B LAYOUT
 P.C.B THICKNESS = 1.6mm

Pin Assignments		
Pin	Signal Name	Description
1 & 5	VCC	+5VDC
2 & 6	D-	Date-
3 & 7	D+	Date+
4 & 8	GND	Ground

NOTE: THE RECOMMENDED PCB LAYOUT IS FOR AN OPTIMIZED RETENTION FORCE OF CONNECTOR ON PCB BUT IT IMPLIES INSERTION FORCE THAT A LOT OF PICK AND PLACE MACHINES ARE NOT ABLE TO HANDLE. THEREFORE IT MIGHT BE NECESSARY TO DRILL BIGGER HOLES FOR THE CLIPS. PLEASE CHECK THIS CAREFULLY.

RoHS Compliant			
G			
F			
E			
D			
C			
B	15-FEB-13	DESIGNATION	AR
A	08-JUL-12	PDF	GG
REV	DATE	FILE	BY

PROJECTION:	GENERAL TOLERANCE
	.X = +/- 0.2
	.XX = +/- 0.15
APPROVAL: RJ	UNIT: MM
	SCALE:
	SHEET: 1/2
	DRAW: VICKY

WÜRTH ELEKTRONIK

DESCRIPTION: WR-USB 2.0 HORIZONTAL DUAL-WAY USB 2.0		SIZE A4
WERI PART NO: 614 108 247 221		

A

B

C

D

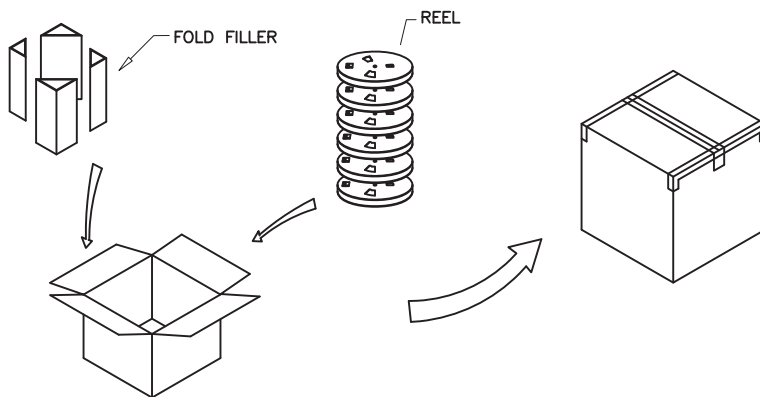
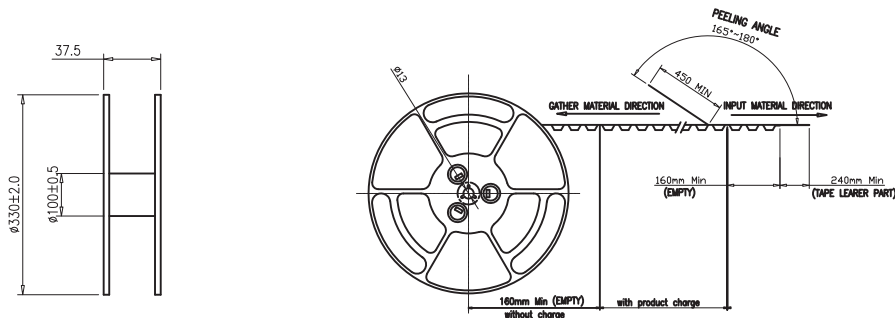
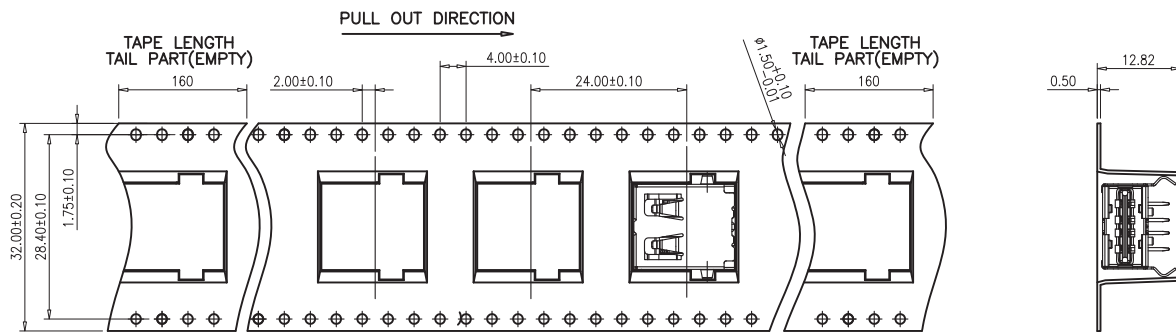
1

2

3

4

5



NOTES:

- 1. MATERIAL:
 - 1.1 EMBOSSED CARRIER: HIPS
 - 1.2 COVER TAPE: PS
 - 1.3 SHIPPING CARTON: CORRUGATED FIBER
- 2. DIMENSION:
 - 2.1 REEL: W=37.5
 - 2.2 SHIPPING CARTON: L=335, W=335, H=315
- 3. QUANTITY:
 - 3.1 PRIMARY PACKING: 200PCS/REEL;
 - 3.2 SECONDARY PACKING: 8 REELS/CARTON (1600PCS/CARTON)

RoHS Compliant				PROJECTION: 	GENERAL TOLERANCE .X = +/- 0.2 .XX = +/- 0.15		DESCRIPTION: SIM Card Connector - Header - 6 pins	SIZE A4
APPROVAL: RJ								
REV	DATE	FILE	BY	SCALE:	SHEET: 2/2	DRAW: VICKY		