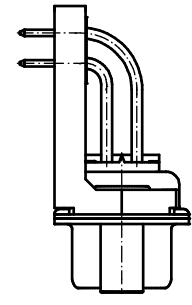
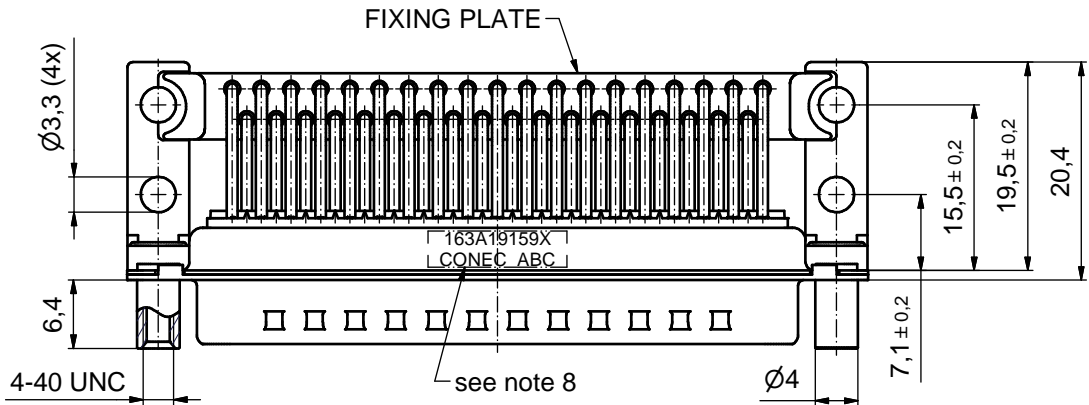
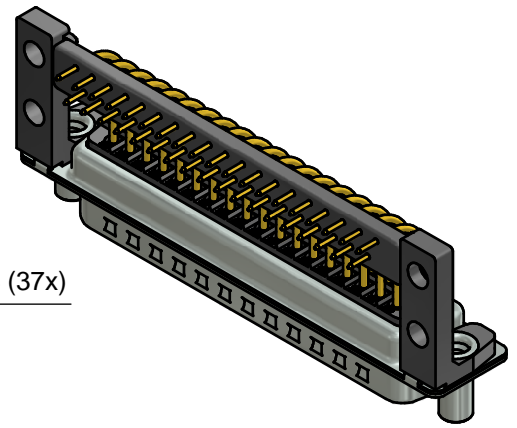
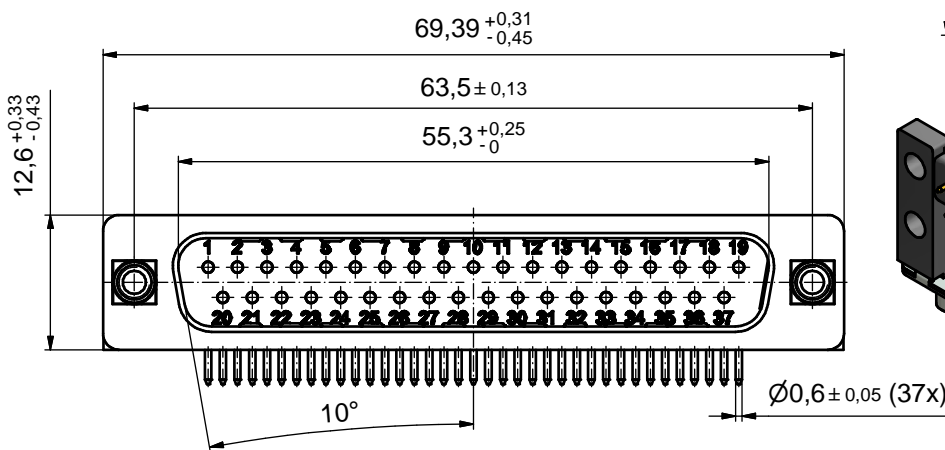
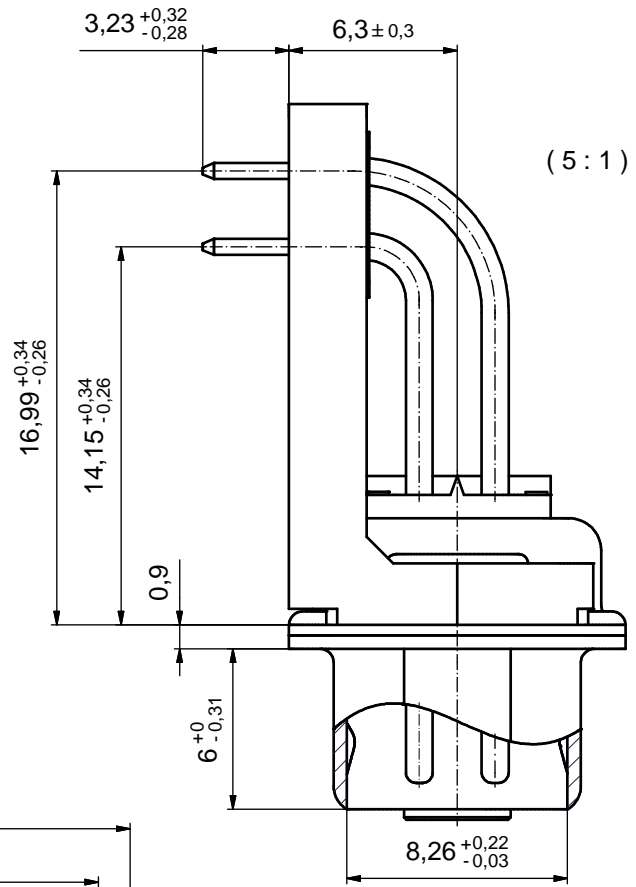


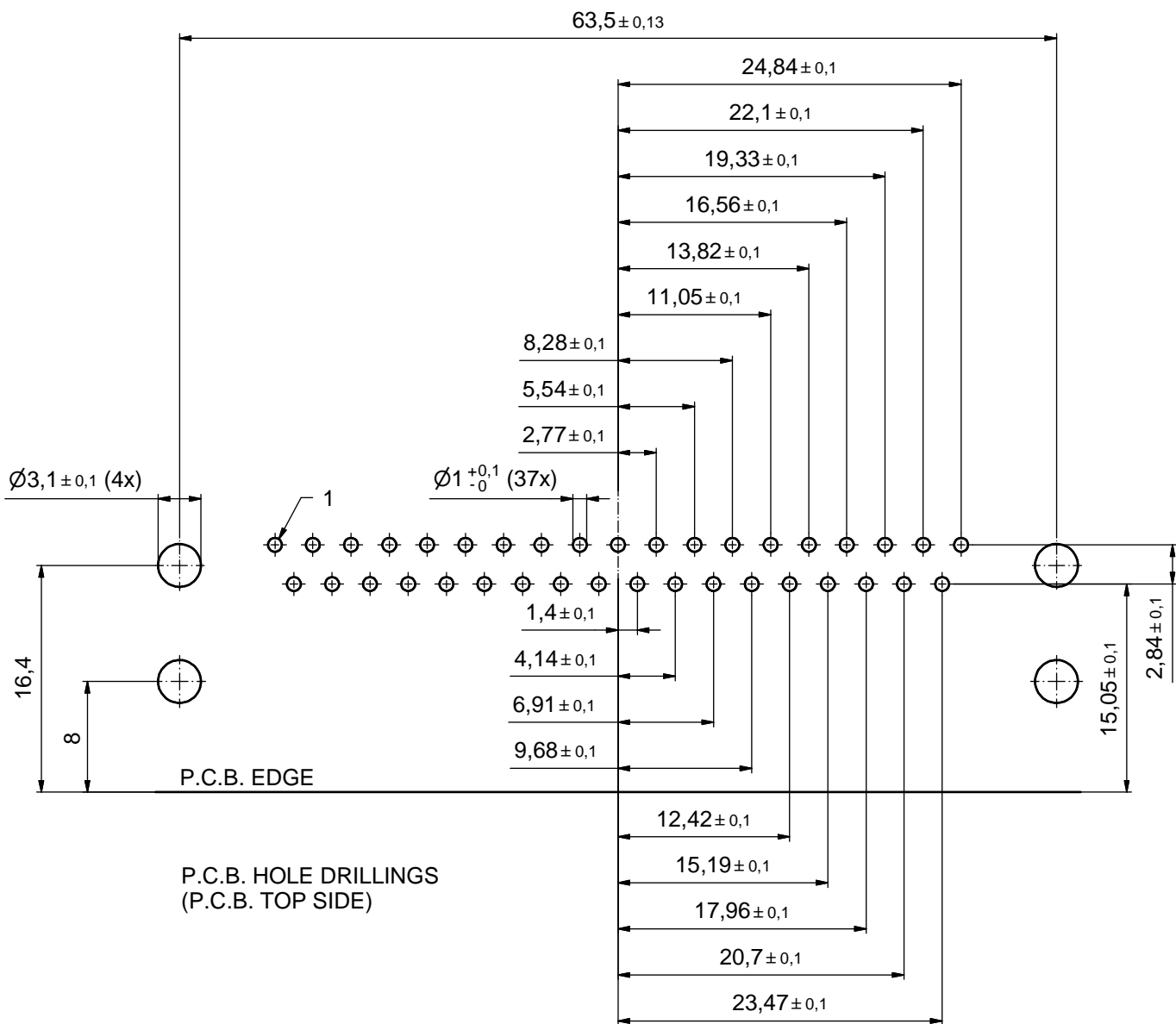
NOTES:

1. METALSHELLS: STEEL; min. 315µin TIN over 40-80µin NICKEL
2. INSULATORS: PBT GF UL 94 V-0; BLACK
3. CONTACTS: COPPER ALLOY
PLATING: GOLD FLASH over NICKEL
4. PLASTIC BRACKETS: PBT GF UL 94 V-0; BLACK
5. THREADED LOCKS: COPPER ALLOY; min. 200µin TIN over 80µin NICKEL
6. FIXING-PLATE: PBT GF UL 94 V-0; BLACK
7. MAXIMUM TORQUE VALUE FOR THREAD: 6 in.LB
8. CONNECTOR IS PART MARKED: 163A19159X CONEC ABC



Directive 2002/95/EC RoHS compliant

THIS DRAWING MAY NOT BE COPIED OR REPRODUCED IN ANY WAY, AND MAY NOT BE PASSED ON TO A THIRD PARTY WITHOUT WRITTEN PERMISSION. OWNERSHIP AND COPYRIGHT OF CONEC GmbH DO NOT ALTER CAD DRAWING BY HAND	tolerance		dim. in mm		scale:	2:1 (5:1)
					material:	see notes
	drawn	03.12.10	Schmidt		title: D-SUB MALE 90° 37pos. SOLDER PIN ANGLED 0.590inch threaded lock, plastic bracket, fixing plate	
	appd.	08.12.10	Fischer			
	norm					
d-old						
a	Origin			dwg no:	16K1A2739	DIN-A3
rev.	description			date	name	part no:



THIS DRAWING MAY NOT BE COPIED OR REPRODUCED IN ANY WAY, AND MAY NOT BE PASSED ON TO A THIRD PARTY WITHOUT WRITTEN PERMISSION. OWNERSHIP AND COPYRIGHT OF CONEC GmbH DO NOT ALTER CAD DRAWING BY HAND				tolerance	dim. in mm	scale: 3:1	
				date		name	material: see sheet 1
				drawn	03.12.10	Schmidt	title: P.C.B. HOLE DRILLINGS 37pos. SOLDER PIN ANGLED 0.590inch threaded lock, plastic bracket, fixing plate
				appd.	08.12.10	Fischer	
				norm			
			d-old			dwg no:	
a	Origin					16K1A2739	DIN-A3
rev.	description	date				name	part no: see sheet 1