

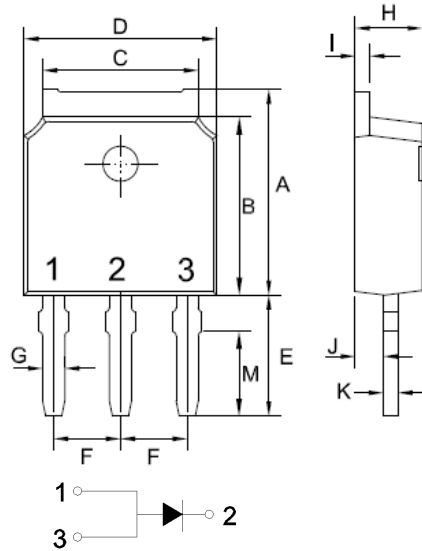
Features

- Schottky Barrier Chip
- Ideally Suited for Automatic Assembly
- Low Power Loss, High Efficiency
- For Use in Low Voltage Application
- Guard Ring Die Construction
- Plastic Case Material has UL Flammability Classification Rating 94V-O

Mechanical Data

- Case: TO-251/IPAK, Molded Plastic
- Terminals: Plated Leads Solderable per MIL-STD-202, Method 208
- Polarity: See Diagram
- Mounting Position: Any
- **Lead Free: For RoHS / Lead Free Version**

TO-251/IPAK



TO-251(IPAK)		
Unit:mm		
DIM	MIN	MAX
A	6.85	7.25
B	5.90	6.30
C	5.13	5.53
D	6.40	6.80
E	3.95	4.35
F	2.19	2.39
G	0.45	0.85
H	2.20	2.40
I	0.41	0.61
J	0.71	1.31
K	0.41	0.61
M	2.96	3.16

Maximum Ratings and Electrical Characteristics @ $T_A=25^\circ\text{C}$ unless otherwise specified

Single Phase, half wave, 60Hz, resistive or inductive load.
For capacitive load, derate current by 20%.

Characteristic	Symbol	SK 540P	SK 545P	SK 550P	SK 560P	SK 580P	SK 5100P	SK 5150P	SK 5200P	Units
Peak Repetitive Reverse Voltage	V_{RRM}	40	45	50	60	80	100	150	200	V
Working Peak Reverse Voltage	V_{RWM}									
DC Blocking Voltage	V_R									
RMS Reverse Voltage	$V_{R(RMS)}$	28	31	35	42	56	70	105	140	V
Average Rectified Output Current @ $T_L = 100^\circ\text{C}$ (Note 1)	I_O	5.0								A
Non-Repetitive Peak Forward Surge Current 8.3ms Single half sine-wave superimposed on rated load (JEDEC Method)	I_{FSM}	150								A
Forward Voltage @ $I_F = 5\text{A}$	V_{FM}	0.55		0.70		0.85		0.92		V
Peak Reverse Current @ $T_A = 25^\circ\text{C}$ At Rated DC Blocking Voltage @ $T_A = 100^\circ\text{C}$	I_{RM}	0.1 20								mA
Typical Junction Capacitance (Note 2)	C_j	350		280		200				pF
Typical Thermal Resistance (Note 1)	$R_{\theta JA}$	15								$^\circ\text{C/W}$
Operating and Storage Temperature Range	T_j, T_{STG}	-55 to +125				-55 to +150				$^\circ\text{C}$

Note: 1. Valid provided that leads are kept at ambient temperature at a distance of 9.5mm from the case.
2. Measured at 1.0 MHz and applied reverse voltage of 4.0V D.C.

RATING AND CHARACTERISTIC CURVES

FIG.1-TYPICAL FORWARD CURRENT DERATING CURVE

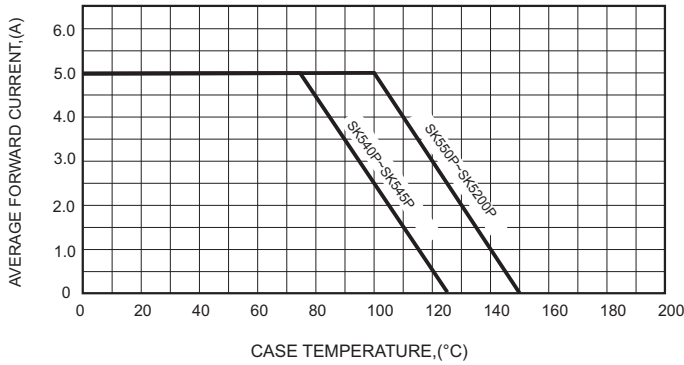


FIG.2-TYPICAL FORWARD CHARACTERISTICS

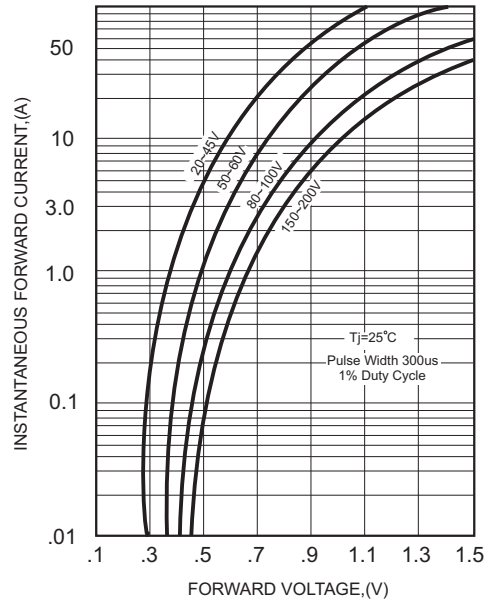


FIG.3-MAXIMUM NON-REPETITIVE FORWARD SURGE CURRENT

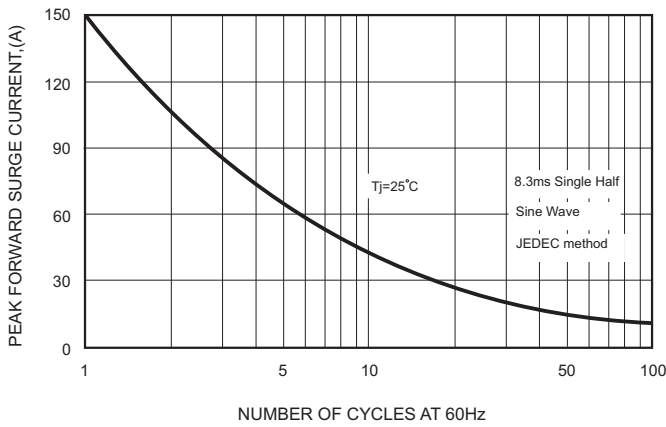


FIG.4 - TYPICAL REVERSE CHARACTERISTICS

