

Features

- Reverse Voltage up to 3000 Volts
- 17 A Maximum Current Rating
- Designed for HF, Multi-Throw Kilowatt Switches
- Non Magnetic for MRI Applications
- RoHS* Compliant
- Low loss, Low distortion

Description

The MA4PK3000-1252 is a 3000 kilovolt PIN diode chip that utilizes advanced processing technologies which assures exceptional and reliable performance in multi-kilowatt switch applications. This PIN diode chip is designed to have low resistance, low loss, low distortion and is capable of dissipating very high power. The chip is manufactured using ultra high resistivity, long carrier lifetime, float zone material onto which the P+ and N+ regions are deposited. The epitaxial process is specifically designed and optimized for high voltage PIN diodes and results in better preservation of the carrier lifetime and superior layer to layer interface when compared to a conventional double diffused process. The formation of the I-region thickness is precisely monitored using modern measurement techniques and controls.

The MA4PK3000-1252 chip utilizes MACOM's proprietary Cermachip process which has a hard glass surface that covers all exposed junction and intrinsic surfaces. The result is a hermetically sealed, passivated chip that has been used in many high reliability military and commercial programs. Their electrical and thermal properties have been extensively characterized to assure predictable performance.

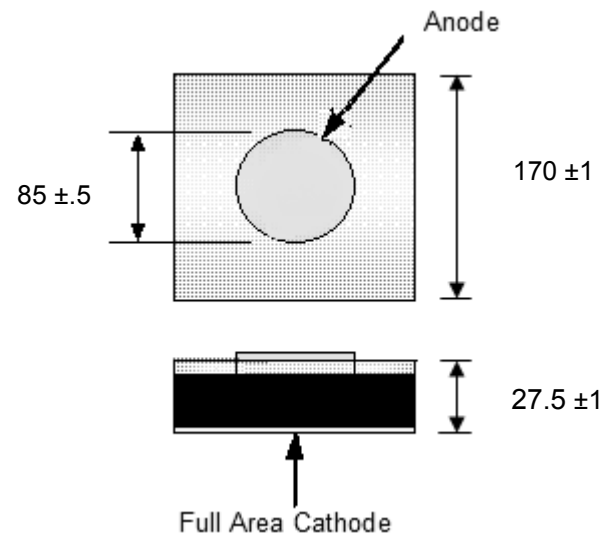
Applications

Designed for use as a high power switching element in multi-kilowatt HF and VHF applications.

Some typical applications are as follows:

- Filter Switches
- Antenna Couplers
- Power Amplifier By-pass Switches
- MRI Switches

ODS 1252 Outline



All dimensions are in mils.

Ordering Information

Part Number	Packaging
MA4PK3000-1252	Die in Gel Pack

* Restrictions on Hazardous Substances, European Union Directive 2011/65/EU.

Electrical Specifications @ T_A = 25°C

Parameter	Test Conditions	Units	Min.	Typ.	Max.
Reverse Voltage ⁸	3000 V	μA	—	—	10
Forward Voltage	I _F = 1 A	V	—	—	1.2
Series Resistance	0.5 A, 4 MHz 0.5 A, 1 - 100 MHz	Ω	—	— 0.15	0.25 —
Parallel Resistance	0 V, 100 MHz	kΩ	—	10	—
Thermal Resistance	—	°CW	—	—	2
Junction Capacitance	100 V, 1 MHz	pF	—	2.2	2.5
Lifetime	I _F = +10 mA	μs	—	65	—
I-Region Width	—	μm	—	325	—

Absolute Maximum Ratings^{5,6}

Parameter	Absolute Maximum
Forward Current	17 A
Reverse Voltage ⁸	3000 V
Power Dissipation ⁷	75 W
Operating Temperature	-65°C to +175°C
Storage Temperature	-65°C to +175°C
Mounting Temperature	+250°C for 30 seconds

5. Exceeding any one or combination of these limits may cause permanent damage to this device.
6. MACOM does not recommend sustained operation near these survivability limits.
7. Diode attached to infinite heat sink at case temperature.
8. Upon completion of circuit installation, the chip must be covered with a dielectric conformal coating such as SYLGARD 527® to prevent voltage arcing.

Handling Procedures

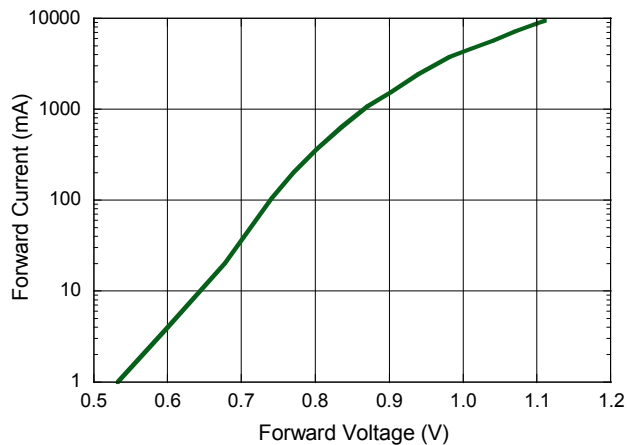
Please observe the following precautions to avoid damage:

Static Sensitivity

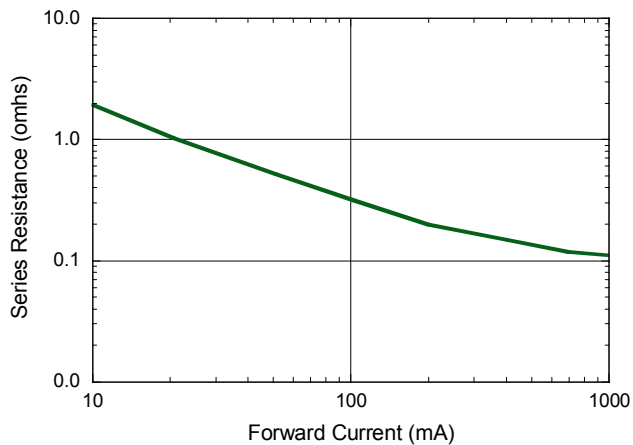
These electronic devices are sensitive to electrostatic discharge (ESD) and can be damaged by static electricity. Proper ESD control techniques should be used when handling these Class 1C devices.

Typical Performance Curves

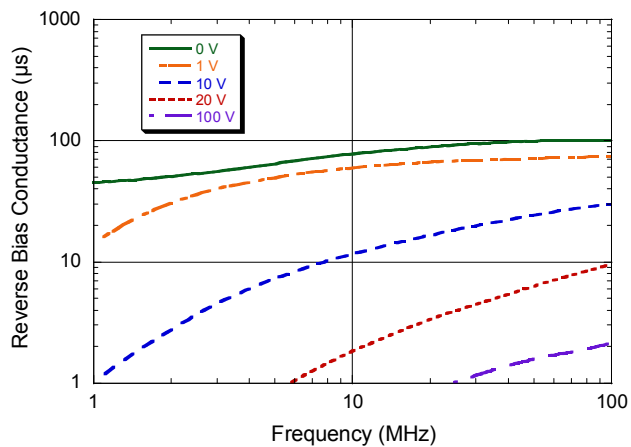
DC Forward Voltage vs. Forward Current



Series Resistance vs. Forward Current, 100 MHz



Reverse Bias Conductance vs. Frequency over Voltage



MACOM Technology Solutions Inc. All rights reserved.

Information in this document is provided in connection with MACOM Technology Solutions Inc ("MACOM") products. These materials are provided by MACOM as a service to its customers and may be used for informational purposes only. Except as provided in MACOM's Terms and Conditions of Sale for such products or in any separate agreement related to this document, MACOM assumes no liability whatsoever. MACOM assumes no responsibility for errors or omissions in these materials. MACOM may make changes to specifications and product descriptions at any time, without notice. MACOM makes no commitment to update the information and shall have no responsibility whatsoever for conflicts or incompatibilities arising from future changes to its specifications and product descriptions. No license, express or implied, by estoppel or otherwise, to any intellectual property rights is granted by this document.

THESE MATERIALS ARE PROVIDED "AS IS" WITHOUT WARRANTY OF ANY KIND, EITHER EXPRESS OR IMPLIED, RELATING TO SALE AND/OR USE OF MACOM PRODUCTS INCLUDING LIABILITY OR WARRANTIES RELATING TO FITNESS FOR A PARTICULAR PURPOSE, CONSEQUENTIAL OR INCIDENTAL DAMAGES, MERCHANTABILITY, OR INFRINGEMENT OF ANY PATENT, COPYRIGHT OR OTHER INTELLECTUAL PROPERTY RIGHT. MACOM FURTHER DOES NOT WARRANT THE ACCURACY OR COMPLETENESS OF THE INFORMATION, TEXT, GRAPHICS OR OTHER ITEMS CONTAINED WITHIN THESE MATERIALS. MACOM SHALL NOT BE LIABLE FOR ANY SPECIAL, INDIRECT, INCIDENTAL, OR CONSEQUENTIAL DAMAGES, INCLUDING WITHOUT LIMITATION, LOST REVENUES OR LOST PROFITS, WHICH MAY RESULT FROM THE USE OF THESE MATERIALS.

MACOM products are not intended for use in medical, lifesaving or life sustaining applications. MACOM customers using or selling MACOM products for use in such applications do so at their own risk and agree to fully indemnify MACOM for any damages resulting from such improper use or sale.