

4

3

2

1

THIS DRAWING IS UNPUBLISHED.

RELEASED FOR PUBLICATION

---

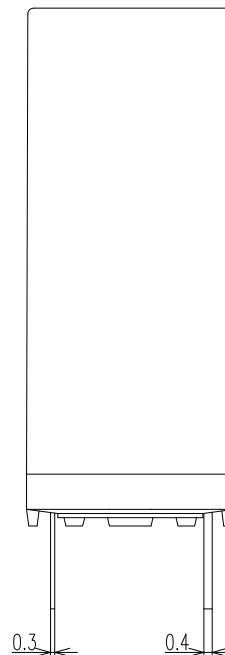
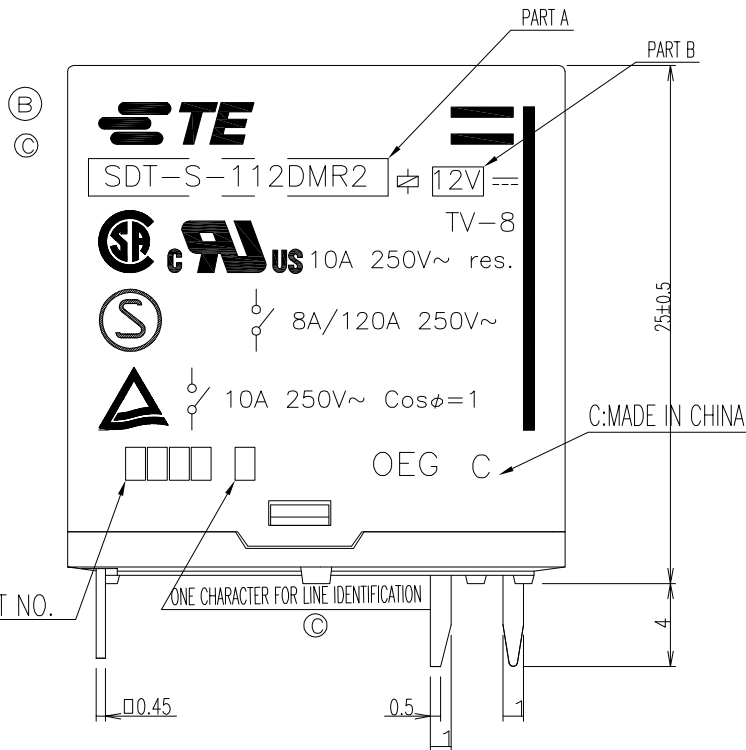
© COPYRIGHT - By TE Connectivity

ALL RIGHTS RESERVED.

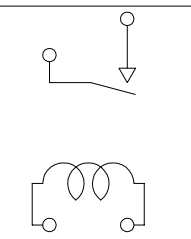
LOC HB DIST -

REVISIONS

P	LTR	DESCRIPTION	ECO	DATE	DWN	APVD
A		REMOVE CONTACT FIGURE	ECO-07-014825	22-JUN-07	Y.ZX	Y.BH
B		CHANGE TE LOGO&DATE CODE	ECO-08-007869	18-APR-08	CY.Z	BH.Y
C		1.CHANGE TE LOGO&ADD LINE IDENTIFICATION&3.TERMINALS TOLERANCE CLARIFICATION	ECO-12-005305	03-APR-12	YS.H	BH.Y



CONNECTION DIAGRAM



DRILLING DIAGRAM (2/1)  
(BOTTOM VIEW)

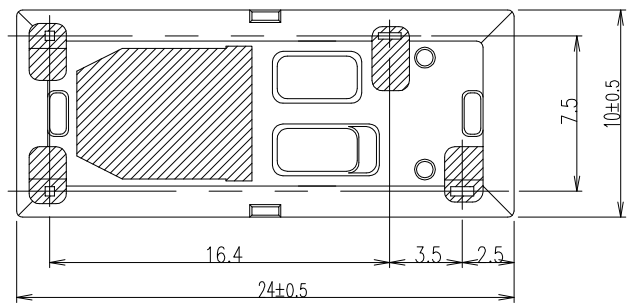
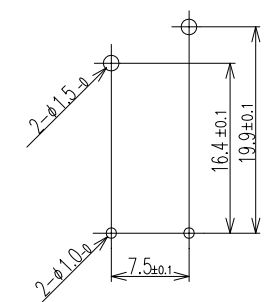


Diagram dimension	Tolerance
max. 1mm	±0.1mm
1 - 3mm	±0.2mm
min. 3mm	±0.3mm

THIS DRAWING IS A CONTROLLED DOCUMENT.		DWN H.SASAKI CHK N.FUNAYAMA APVD A.NAGAI			
DIMENSIONS: mm		PRODUCT SPEC			
TOLERANCES UNLESS OTHERWISE SPECIFIED:		APPLICATION SPEC		SDT-DMR2 CUSTOMER DRAWING	
0 PLC ± 1 PLC ± 2 PLC ± 3 PLC ± 4 PLC ± ANGLES ±		WEIGHT		SIZE A3	
MATERIAL FINISH		CUSTOMER DRAWING		CAGE CODE 00779	
				DRAWING NO C=9-1440002-9	
				RESTRICTED TO	
				SCALE 4:1	
				SHEET 1 OF 2	
				REV C	

4

3

2

1

THIS DRAWING IS UNPUBLISHED.      RELEASED FOR PUBLICATION      - . - .  
 © COPYRIGHT - By TE Connectivity      ALL RIGHTS RESERVED.

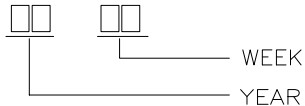
LOC	DIST	REVISIONS			
P	LTR	DESCRIPTION	DATE	DWN	APVD
HB	-	SEE SHEET 1	-	-	-

1440003-1	SDT-S-124DMR2	24V	SDT-S-124DMR2	d
9-1440002-8	SDT-S-109DMR2	9V	SDT-S-109DMR2	c
8-1419125-4	SDT-S-106DMR2	6V	SDT-S-106DMR2	b
9-1440002-6	SDT-S-105DMR2	5V	SDT-S-105DMR2	a
TE PART NO	TE TYPE NAME	PART B	PART A	TYPE

RELAY TYPE

NOTE:

ⓑ 1. LOT NO. SYSTEM AS FOLLOWING:



ⓒ 2. TERMINAL DIMENSIONS BEFORE SOLDER DIP

ⓒ 3. FOR THE TIN-PLATING OF THE PINS: +0.1mm FOR WIDTH, THICKNESS AND DIAMETER  
+0.5mm FOR LENGTH

UL-94V-0		NYLON	CARD	14	
		EPOXY RESIN	RESIN	13	
		UEW	MAGNETIC WIRE	12	
UL-94V-0		PBT	BOBBIN	11	
	SOLDER DIP	CP WIRE	COIL TERMINAL	10	
UL-94V-0		PBT	CASE	9	
		Ag ALLOY	STATIONARY CONTACT	8	
		Ag ALLOY	MOVABLE CONTACT	7	
		Cu ALLOY	HINGE SPRING	6	
	SOLDER DIP	Cu ALLOY	STATIONARY TERMINAL	5	
	SOLDER DIP	Cu ALLOY	MOVABLE SPRING	4	
		STEEL	CORE	3	
		STEEL	ARMATURE	2	
		STEEL	YOKE	1	
	INCOMBUSTIBILITY	TREATMENT	MATERIAL	DESCRIPTION	ITEM

THIS DRAWING IS A CONTROLLED DOCUMENT.		DWN H.SASAKI	TE Connectivity		
DIMENSIONS: mm		CHK N.FUNAYAMA			
TOLERANCES UNLESS OTHERWISE SPECIFIED:		APVD A.NAGAI	NAME SDT-DMR2 CUSTOMER DRAWING		
		PRODUCT SPEC -	SIZE A3		
MATERIAL		APPLICATION SPEC -	CAGE CODE 00779	DRAWING NO 9-1440002-9	RESTRICTED TO -
FINISH		WEIGHT -	SCALE 4:1		
		CUSTOMER DRAWING			SHEET 2 OF 2
					REV C