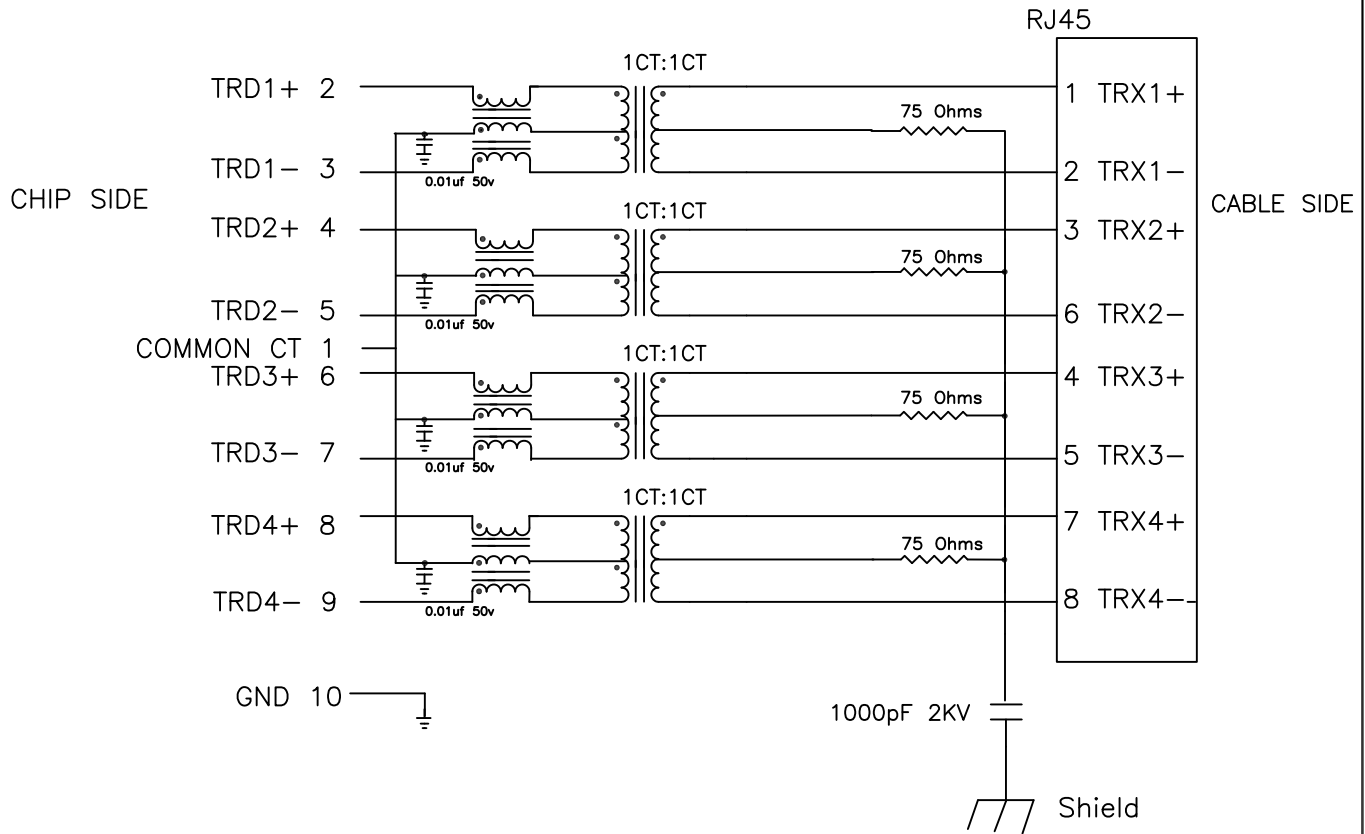
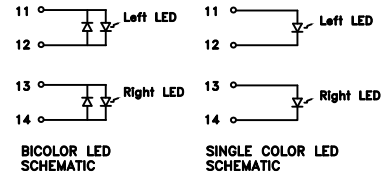


# Schematic: (SINGLE PORT)



## Electrical Specifications: @25°C

ISOLATION: 1500 Vrms (Input to Output)  
 TURNS RATIO: (PRI/SEC) 1CT:1CT ±2%  
 OCL: 350uH MIN @100KHz 100mV 8mADC  
 Rise Time: 1.75ns Max.  
 INSERTION LOSS: -1.0dB Max @1MHz-100MHz  
 -1.5dB Max @100-125MHz  
 RETURN LOSS: -18dB Min @1-30MHz  
 -15dB Min @40MHz -13.1dB Min @50MHz  
 -12dB Min @60-80MHz -10dB Min @100MHz  
 Differential to Common Mode Rejection:  
 -43dB Typ @30MHz -37dB Typ @80MHz  
 -33dB Typ @100MHz  
 CMRR: -30dB Min @1-100MHz  
 Crosstalk: -45dB Min @30MHz  
 -40dB Min @60MHz -35dB Min @100MHz  
 Q: 5 Min @100KHz 0.1V



Complete the Combo P/N as follows:

Replace 'x' & 'u' in the part number with one of the LED color letters:  
 Y=Yellow 'x' = Left LED Color  
 G=Green 'u' = Right LED Color  
 A=Amber  
 R=Red  
 C=Green(1)/Amber(2) Bicolor  
 D=Amber(1)/Green(2) Bicolor  
 M=Green(1)/Yellow(2) Bicolor  
 N=Yellow(1)/Green(2) Bicolor  
 P=Red(1)/Green(2) Bicolor  
 Q=Green(1)/Red(2) Bicolor  
 E=Red(1)/Yellow(2) Bicolor  
 F=Yellow(1)/Red(2) Bicolor  
 H=Amber(1)/Yellow(2) Bicolor  
 J=Green(1)/Green(2) Bicolor

Single Color LED: Bi-Color LED:

- Notes:
- Solderability: Leads shall meet MIL-STD-202G, Method 208H for solderability.
  - Flammability: UL94V-0
  - ASTM oxygen index: > 28%
  - UL Recognized Component: File Number E165866
  - Operating Temperature Range: All listed parameters are to be within tolerance from -40°C to +85°C
  - Storage Temperature Range: -55°C to +125°C
  - Aqueous wash compatible
  - Electrical and mechanical specifications 100% tested
  - RoHS Compliant Component

DOC REV: A/1

**PROPRIETARY**

Document is the property of XFMRs Group & is not allowed to be duplicated without authorization.

**XFMRs Inc**  
www.XFMRs.com

Title: GIGABIT COMBO

UNLESS OTHERWISE SPECIFIED  
TOLERANCES:

P/N: XFGIG8T-CTxu1-4M

REV. A

.xxx ±0.010

DWN. Yuan

Aug-08-13

Dimensions in Inch

CHK. YK Liao

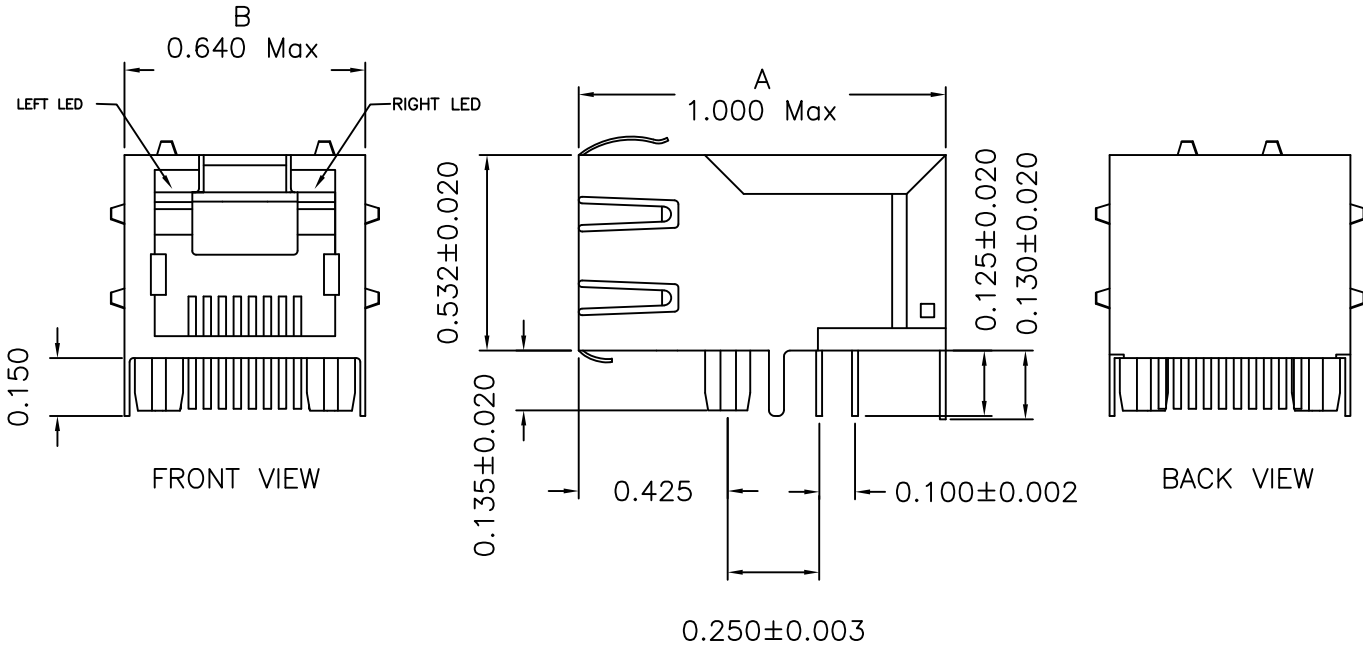
Aug-08-13

SHEET 1 OF 2

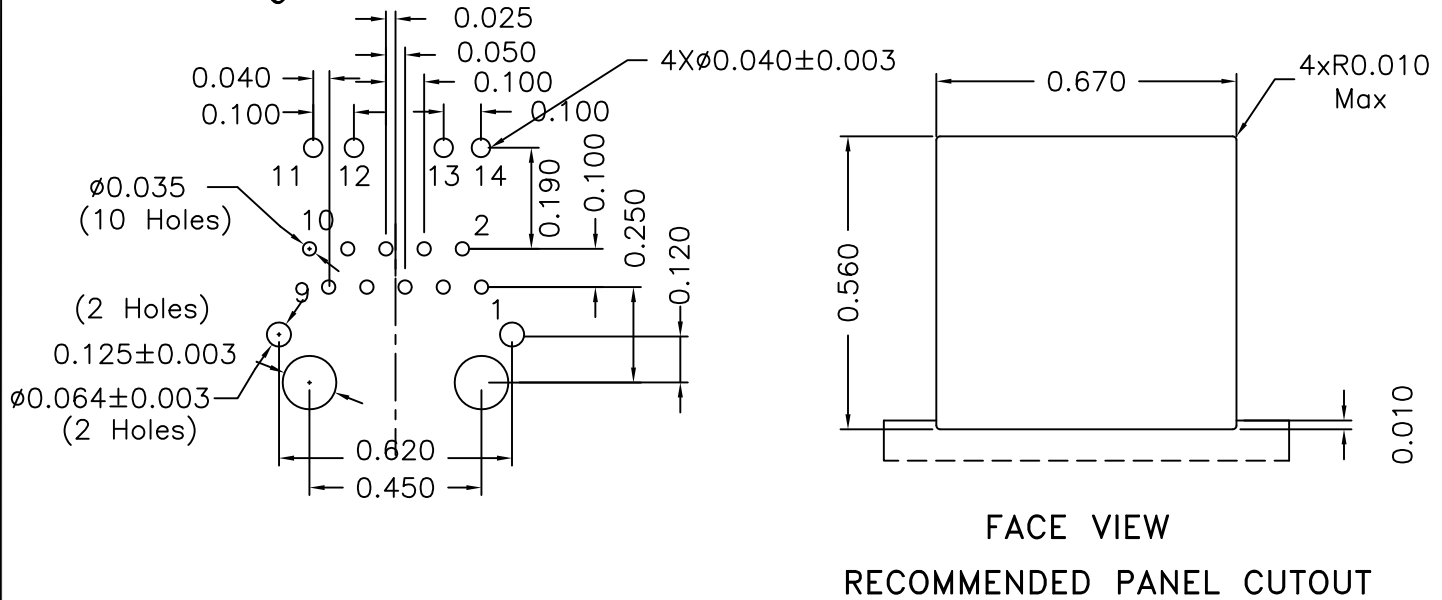
APP. BW

Aug-08-13

**Mechanical Dimensions:**



**Mounting Pattern:**



DOC. REV A/1

**PROPRIETARY**

Document is the property of XFMRS Group & is not allowed to be duplicated without authorization.

<b>XFMRS Inc.</b> www.XFMRS.com		Title: Mechanical Dimensions For TAB UB RJ45 COMBO	
UNLESS OTHERWISE SPECIFIED TOLERANCES: .xxx ±0.010 Dimensions in Inch		P/N: XFGIG8T-CTxu1-4M	REV. A
DWN.	李小锋	Aug-08-13	
CHK.	廖玉坤	Aug-08-13	
SHEET 2 OF 2	APP.	BW	Aug-08-13