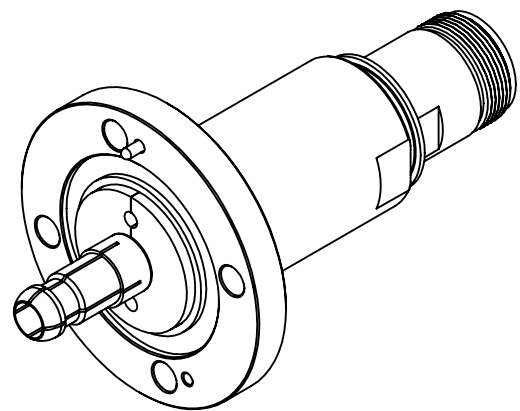


This document, including the design, configuration and mechanical features revealed herein are the sole, confidential and proprietary property of TRU Corporation. Reproduction or use thereof, in whole or part, is prohibited without the prior written consent of TRU Corporation.

REV.	DESCRIPTION	DATE	APPROVED
-	ORIGINAL ISSUE	07/11/13	AM



ENGINEERING DATA

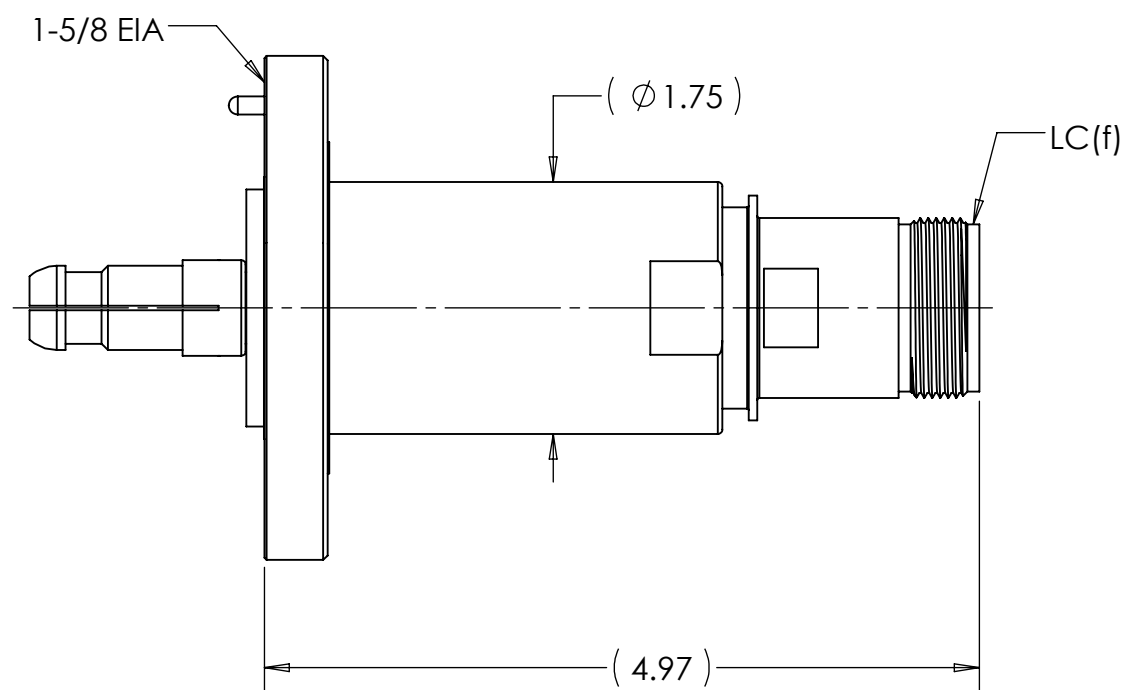
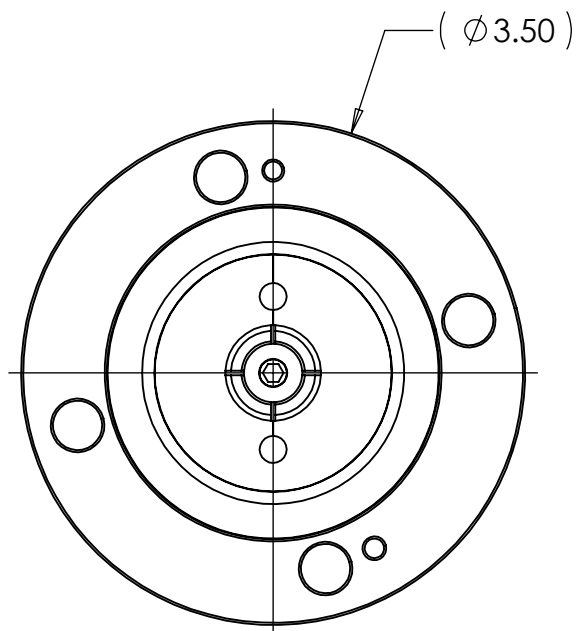
ELECTRICAL:
 IMPEDANCE: 50 OHMS NOMINAL


MECHANICAL:
 INTERFACE: 1-5/8 EIA per EIA STD RS-225 & MIL-DTL-24044
 WITH SWIVEL FLANGE & REMOVABLE BULLET
 LC(f) per MIL-STD-348 fig. 315.2

MATERIAL:
 CONTACTS: BERYLLIUM COPPER & BRASS
 INSULATORS: PTFE
 HOUSINGS: BRASS

FINISH:
 CONTACTS: SILVER PLATED
 EIA HOUSING & FLANGE: NICKEL PLATED
 LC BODY: SILVER PLATED

- NOTES:**
- UNLESS OTHERWISE SPECIFIED; ALL DIMENSIONS ARE FOR REFERENCE ONLY.
 - SUPPLIED WITH THE FOLLOWING ITEMS:
 - QTY 4 5/16-18 X 1.50 HEX HEAD BOLT
 - QTY 4 5/16-18 HEX NUT
 - QTY 8 5/16 LOCKWASHER
 - QTY 1 O-RING



MATERIAL	DO NOT SCALE DRAWING	DRAWN AM	DATE 07/10/13	 TRU Corporation 245 Lynnfield St, Peabody, MA 01960 <small>EXPERIENCE. TRU INNOVATION.</small>
	UNLESS OTHERWISE SPECIFIED: DIMENSIONS ARE IN INCHES TOLERANCES: FRACTIONS: ±1/64 .XX : ±.01 .XXX: ±.005 ANGLES: ±1/2° MACHINED SURFACES: 63/√	ENG APPR. AM	DATE 07/10/13	
COMMENTS:		THIRD ANGLE PROJECTION	MFG APPR.	DATE
	OTHER APPR.		DATE	DWG. NO. TRU-12390
surface area: sq inch	weight: lbs			CAGE CODE: 92180
				SCALE: 3:4
				SHEET 1 OF 1
				REV -