



Illustration may differ



Ordering information

| Type | Part no. |
|-----------------|----------|
| TCT-1PBT41006LZ | 6043338 |

Other models and accessories → www.sick.com/TCT

Detailed technical data

Features

| | |
|------------------------|----------------|
| Measuring range | -50 °C +250 °C |
| Sensor element | Pt100 |
| Output signal | Pt100, 4-wire |

Performance

| | |
|-----------------------------------|--|
| Accuracy of sensor element | Class A according to IEC 60751 |
| Transmitter accuracy | ≤ ± 1,0 % of span |
| Transmitter linearity | ≤ 0.1 % of span |
| Response time | Response time t_{50} : ≤ 2.8 s ¹⁾ t_{90} ≤ 9,1 s ¹⁾ |

¹⁾ Depending on sensor configuration, according to IEC 60751.

Mechanics/electronics

| | |
|---|---|
| Process connection | Thermowell ¼" NPT |
| Insertion length/diameter of probe | 100 mm / 6 mm |
| Wetted parts | Stainless steel 1.4571 |
| Pressure resistance | Max. 220 bar |
| Housing material | Stainless steel 1.4571 |
| Electrical connection | L-connector (DIN EN 175301-803 A), 4 pin, IP 65 ¹⁾ |
| Measuring current | 0.3 mA ... 1 mA |
| Electrical safety | Protection class: III, dielectric strength: 500 V |
| Protection class III | ✓ |
| RoHS certificate | ✓ |
| Weight | Ca. 145 g (depending on configuration) |
| Initialization time | < 10 ms |

¹⁾ IP enclosure rating as per IEC 60529. The enclosure rating classes specified only apply while the device is connected with male cable connectors of the corresponding enclosure rating.

Ambient data

| | |
|----------------------------|-------------------|
| Ambient temperature | -40 °C ... +85 °C |
|----------------------------|-------------------|

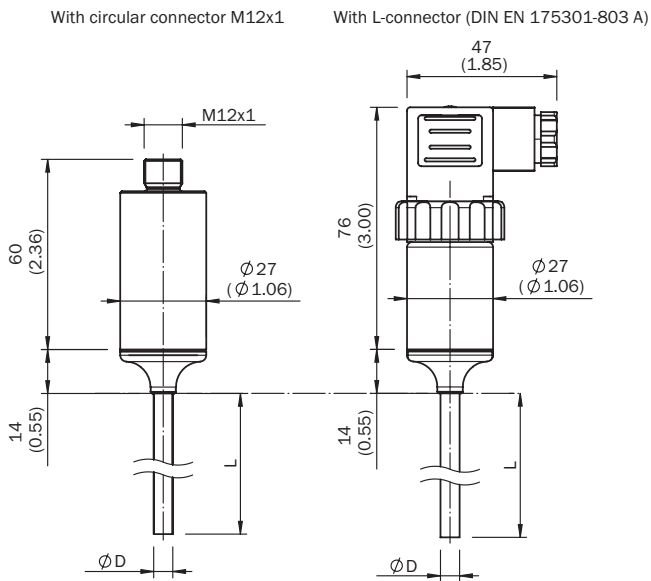
| | |
|--|-------------------|
| Storage and transport temperature | -40 °C ... +85 °C |
| Shock resistance according to IEC 60751 | 500 g |
| Vibration resistance according to IEC 60751 | 3 g |

Classifications

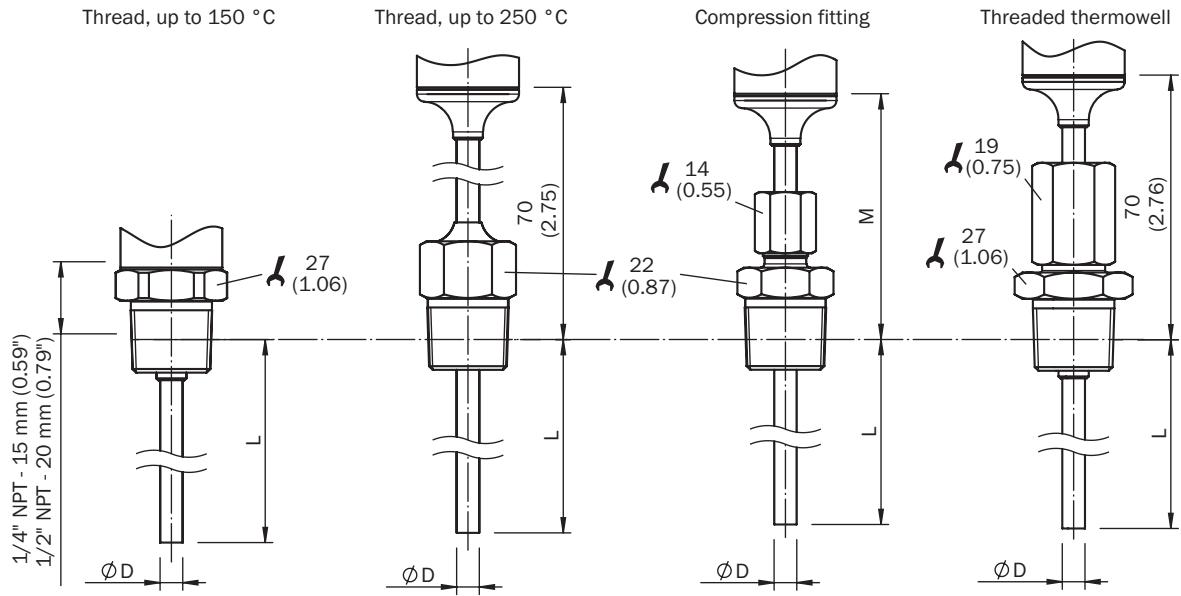
| | |
|-----------------------|----------|
| ECl@ss 5.0 | 27200208 |
| ECl@ss 5.1.4 | 27200208 |
| ECl@ss 6.0 | 27200208 |
| ECl@ss 6.2 | 27200208 |
| ECl@ss 7.0 | 27200208 |
| ECl@ss 8.0 | 27200208 |
| ECl@ss 8.1 | 27200208 |
| ECl@ss 9.0 | 27200208 |
| ETIM 5.0 | EC001446 |
| ETIM 6.0 | EC001446 |
| UNSPSC 16.0901 | 41112211 |

Dimensional drawing (Dimensions in mm (inch))

Housing, without process connection

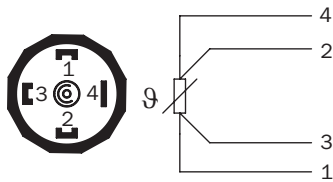


Process connections, conical threads



Connection type

L-connector (DIN EN 175301-803 A), output signal Pt100



SICK AT A GLANCE

SICK is one of the leading manufacturers of intelligent sensors and sensor solutions for industrial applications. A unique range of products and services creates the perfect basis for controlling processes securely and efficiently, protecting individuals from accidents and preventing damage to the environment.

We have extensive experience in a wide range of industries and understand their processes and requirements. With intelligent sensors, we can deliver exactly what our customers need. In application centers in Europe, Asia and North America, system solutions are tested and optimized in accordance with customer specifications. All this makes us a reliable supplier and development partner.

Comprehensive services complete our offering: SICK LifeTime Services provide support throughout the machine life cycle and ensure safety and productivity.

For us, that is “Sensor Intelligence.”

WORLDWIDE PRESENCE:

Contacts and other locations –www.sick.com