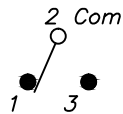


RECOMMENDED P.C.B. LAYOUT



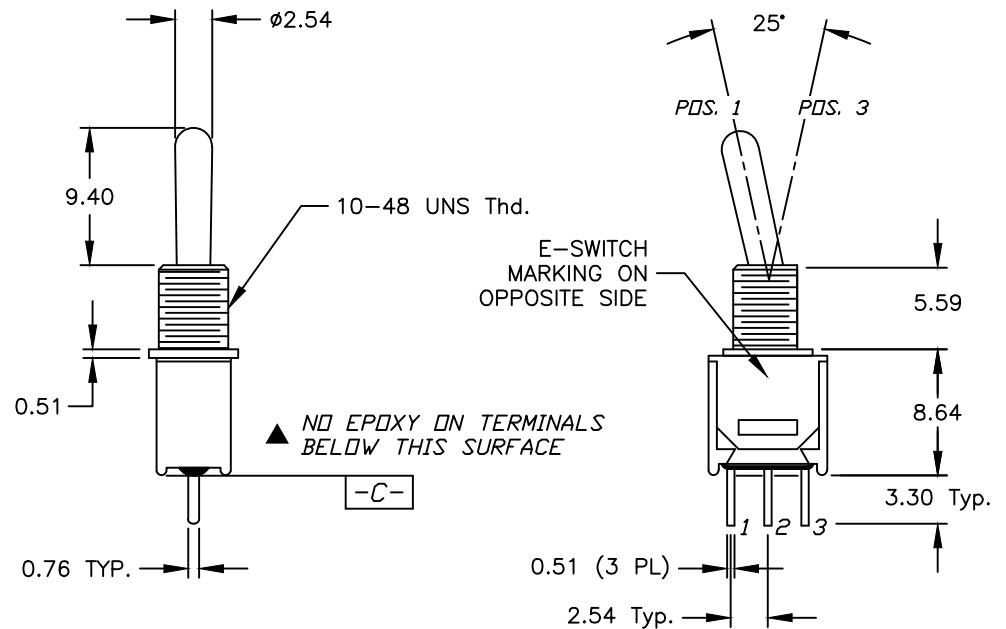
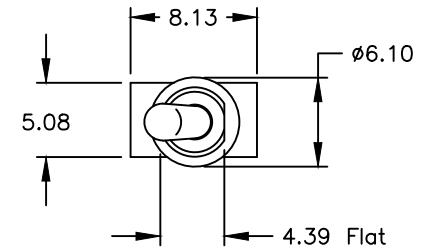
CIRCUIT: SPDT
CONTACT CONFIGURATION

SWITCH FUNCTION		
POS. 1	POS. 2	POS. 3
ON	NONE	ON
2-3	OPEN	2-1

NOTES:

1. ALL DIMENSIONS IN MM
2. GENERAL TOLERANCE: X.X=±0.4
X.XX=±0.25
3. TERM. NOS. FOR REF. ONLY
4. CONTACT RATING: 3A @120VAC OR 28VDC, 1A @250VAC
5. FIXED TERMINAL & MOVING CONTACT: Copper Alloy w/Gold Plate over Nickel plate.
6. CONTACT RESISTANCE: 20mILLI OHMS max. initial @2-4 VDC, 100mA for AG & Au
6. ELECTRIC LIFE: 30,000 make-and-break cycles at full load.
7. INSULATION RESISTANCE: 1,000 M ohm min.
8. DIELECTRIC STRENGTH: 1,000 V RMS @sea level.
9. OPERATING TEMP. -30°C to 85°C
- ▲10. DESIGNATE MAJOR DIMENSION
- ▲11. HARDWARE TO BE SUPPLIED BULK:

T200000-LOCK WASHER	QTY-1
T200002-LOCK RING	QTY-1
T200001-HEX NUT	QTY-2



TITLE		200MSP1T1B1M2REH				
SCALE	DATE	DR	DWG	REV		
2:1	7/2/2015	MW	ST211079	A		

A	21900	RELEASED FOR PRODUCTION	7/2/15	MW
REV.	ECN No.	DESCRIPTION	DATE	CHKD

THE INFORMATION CONTAINED IN THIS DOCUMENT IS PROPRIETARY TO E-SWITCH AND IS NOT TO BE COPIED OR TRANSFERRED