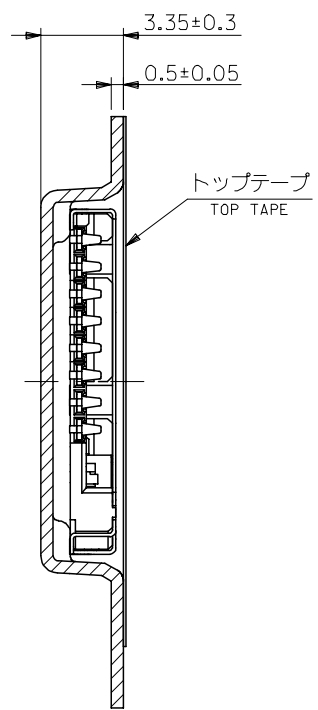
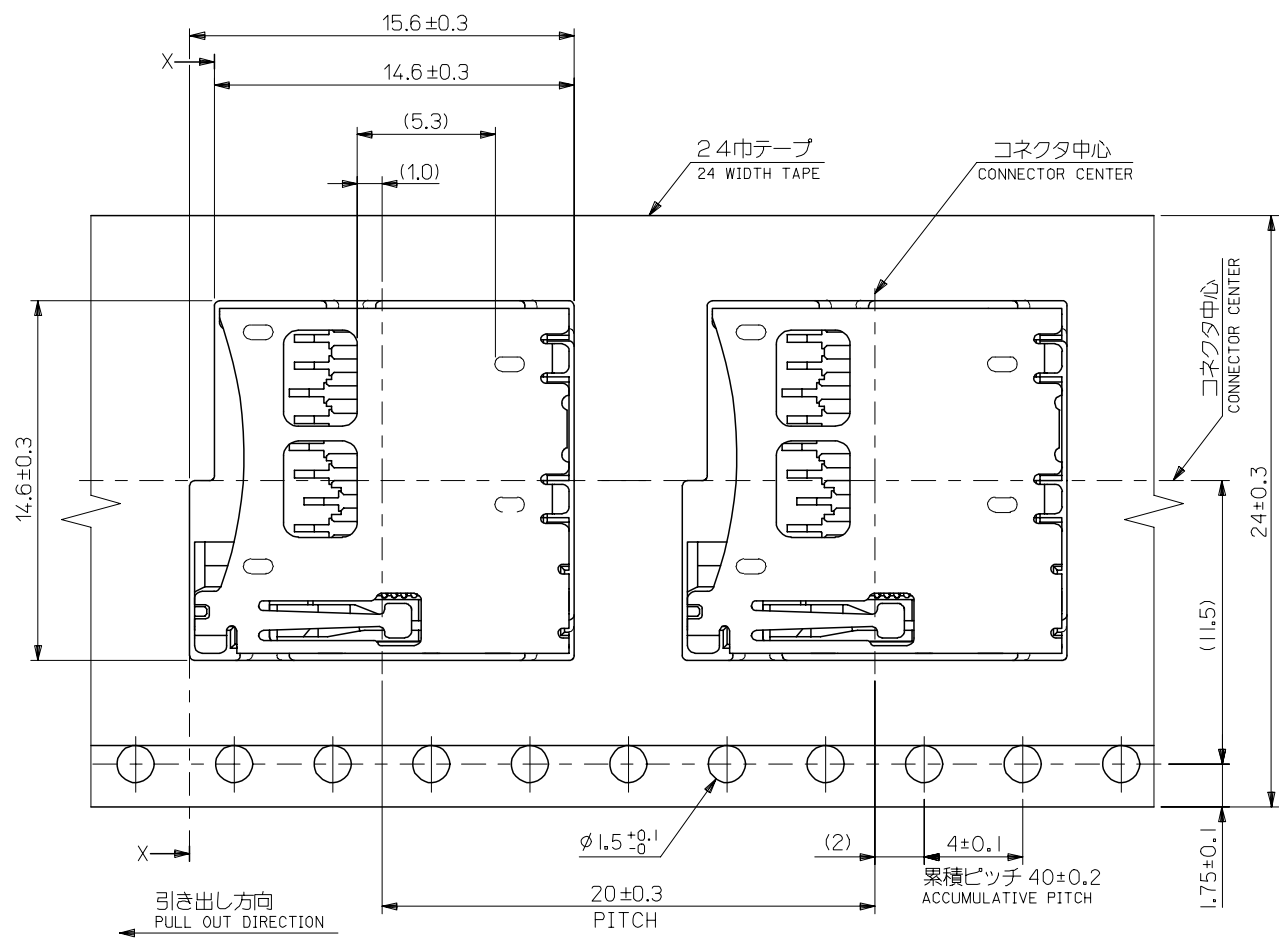


10 9 8 7 6 5 4 3 2 1

F
E
D
C
B
A



SECTION X-X



F
E
D
C
B
A

REVISED EC NO: J2005-3083 DRAWN: AOYAGI 2005/04/13 CHKD: TANAKA 2005/04/14 APPR: NUKITA 2005/04/22	GENERAL TOLERANCES (UNLESS SPECIFIED)		DIMENSION STYLE MM ONLY		SCALE ---	DESIGN UNITS METRIC	THIRD ANGLE PROJECTION	
	10 UNDER	±0.2	DRAWN BY S. MARUYA		DATE 2004/06/30	TITLE TFR CARD CONN. EMBOSSSED TAPE PACKAGE		
	10 OVER 30 UNDER	±0.25	CHECKED BY M. SASAO		DATE 2004/06/30	APPROVED BY M. SASAO		
	30 OVER	±0.3	APPROVED BY M. SASAO		DATE 2004/06/30	MOLEX INCORPORATED		
	ANGULAR	±3 °	MATERIAL NO. 500873-0801		DOCUMENT NO. SD-500873-002	SHEET NO. 2 OF 2		
DRAFT WHERE APPLICABLE MUST REMAIN WITHIN DIMENSIONS		SIZE A3 THIS DRAWING CONTAINS INFORMATION THAT IS PROPRIETARY TO MOLEX INCORPORATED AND SHOULD NOT BE USED WITHOUT WRITTEN PERMISSION						

9 8 7 6 5 4 3 2 1 EN-02JA(021)