



UMZ1N

Preliminary

DUAL TRANSISTOR

GENERAL PURPOSE TRANSISTOR

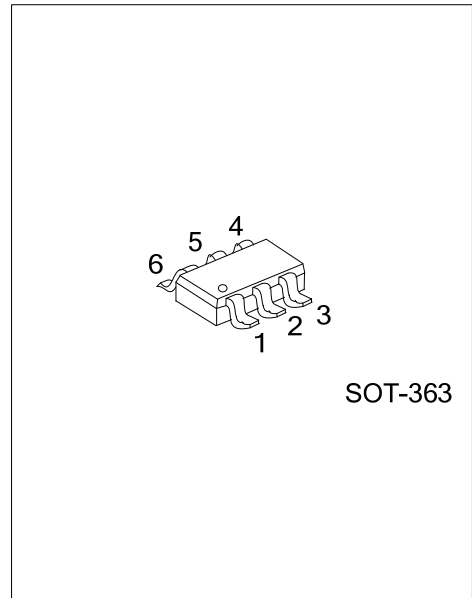
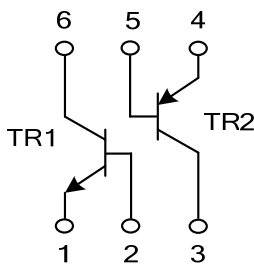
DESCRIPTION

The UTC **UMZ1N** is a dual transistor, including an NPN transistor and a PNP transistor. It uses UTC's advanced technology to provide customers with high DC current gain, etc.

FEATURES

* High DC current gain (NPN: $h_{FE} > 120$ @ $V_{CE} = 6V, I_C = 1mA$;
PNP: $h_{FE} > 120$ @ $V_{CE} = -6V, I_C = -1mA$)

SYMBOL

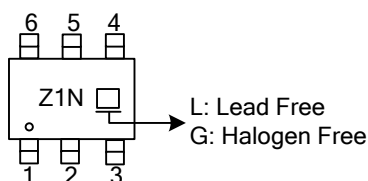


ORDERING INFORMATION

Ordering Number		Package	Pin Assignment						Packing
Lead Free	Halogen Free		1	2	3	4	5	6	
UMZ1NL-AL6-R	UMZ1NG-AL6-R	SOT-363	E1	B1	C2	E2	B2	C1	Tape Reel

<p>UMZ1NL-AL6-R</p> <ul style="list-style-type: none"> (1) Packing Type (2) Package Type (3) Lead Free 	<ul style="list-style-type: none"> (1) R: Tape Reel (2) AL6: SOT-363 (3) L: Lead Free, G: Halogen Free
---	---

MARKING



■ ABSOLUTE MAXIMUM RATINGS ($T_A=25^{\circ}\text{C}$)

PARAMETER	SYMBOL	LIMITS		UNIT
		TR1	TR2	
Collector-Base Voltage	V_{CBO}	60	-60	V
Collector-Emitter Voltage	V_{CEO}	50	-50	V
Emitter-Base Voltage	V_{EBO}	7	-6	V
Collector Current	I_C	0.15	-0.15	A
Collector Power Dissipation	P_C	0.15		W
Junction Temperature	T_J	150		$^{\circ}\text{C}$
Storage Temperature	T_{STG}	-55~+150		$^{\circ}\text{C}$

Note: Absolute maximum ratings are those values beyond which the device could be permanently damaged. Absolute maximum ratings are stress ratings only and functional device operation is not implied.

■ ELECTRICAL CHARACTERISTICS ($T_A=25^{\circ}\text{C}$)

PARAMETER	SYMBOL	TEST CONDITIONS	MIN	TYP	MAX	UNIT
TR1						
Collector-Base Breakdown Voltage	BV_{CBO}	$I_C=50\mu\text{A}$	60			V
Collector-Emitter Breakdown Voltage	BV_{CEO}	$I_C=1\text{mA}$	50			V
Emitter-Base Breakdown Voltage	BV_{EBO}	$I_E=50\mu\text{A}$	7			V
Collector Cut-Off Current	I_{CBO}	$V_{CB}=60\text{V}$			0.1	μA
Emitter Cut-Off Current	I_{EBO}	$V_{EB}=7\text{V}$			0.1	μA
Collector-Emitter Saturation Voltage	$V_{CE(SAT)}$	$I_C/I_B=50\text{mA}/5\text{mA}$			0.4	V
DC Current Transfer Ratio	h_{FE}	$V_{CE}=6\text{V}, I_C=1\text{mA}$	120		560	
Transition Frequency	f_T	$V_{CE}=12\text{V}, I_E=-2\text{mA}, f=100\text{MHz}$		180		MHz
Output Capacitance	C_{ob}	$V_{CB}=12\text{V}, I_E=0\text{A}, f=1\text{MHz}$		2	3.5	pF
TR2						
Collector-Base Breakdown Voltage	BV_{CBO}	$I_C=-50\mu\text{A}$	-60			V
Collector-Emitter Breakdown Voltage	BV_{CEO}	$I_C=-1\text{mA}$	-50			V
Emitter-Base Breakdown Voltage	BV_{EBO}	$I_E=-50\mu\text{A}$	-6			V
Collector Cut-Off Current	I_{CBO}	$V_{CB}=-60\text{V}$			-0.1	μA
Emitter Cut-Off Current	I_{EBO}	$V_{EB}=-6\text{V}$			-0.1	μA
Collector-Emitter Saturation Voltage	$V_{CE(SAT)}$	$I_C/I_B=-50\text{mA}/-5\text{mA}$			-0.5	V
DC Current Transfer Ratio	h_{FE}	$V_{CE}=-6\text{V}, I_C=-1\text{mA}$	120		560	
Transition Frequency	f_T	$V_{CE}=-12\text{V}, I_E=2\text{mA}, f=100\text{MHz}$		140		MHz
Output Capacitance	C_{ob}	$V_{CB}=-12\text{V}, I_E=0\text{A}, f=1\text{MHz}$		4.0	5.0	pF

UTC assumes no responsibility for equipment failures that result from using products at values that exceed, even momentarily, rated values (such as maximum ratings, operating condition ranges, or other parameters) listed in products specifications of any and all UTC products described or contained herein. UTC products are not designed for use in life support appliances, devices or systems where malfunction of these products can be reasonably expected to result in personal injury. Reproduction in whole or in part is prohibited without the prior written consent of the copyright owner. The information presented in this document does not form part of any quotation or contract, is believed to be accurate and reliable and may be changed without notice.