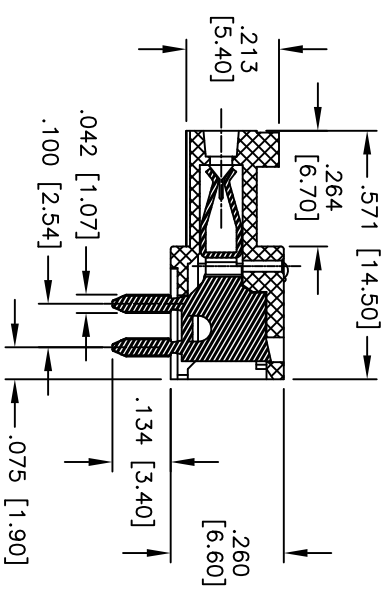
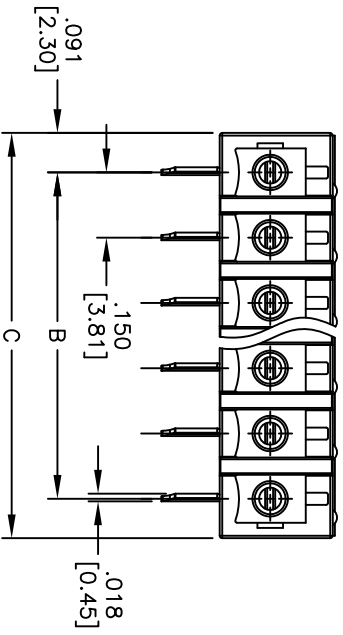
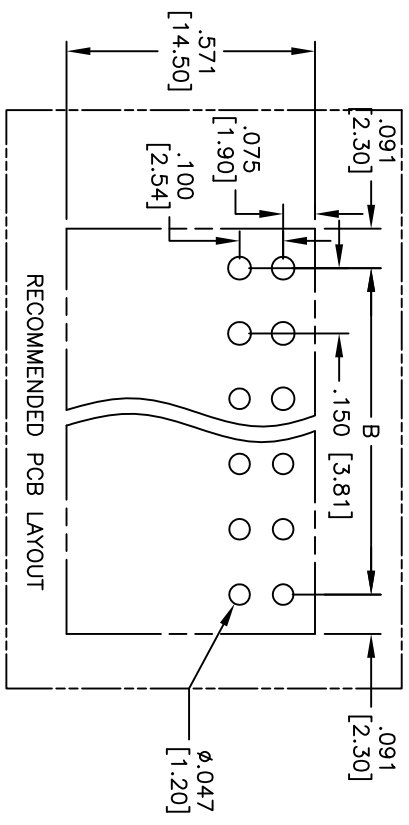
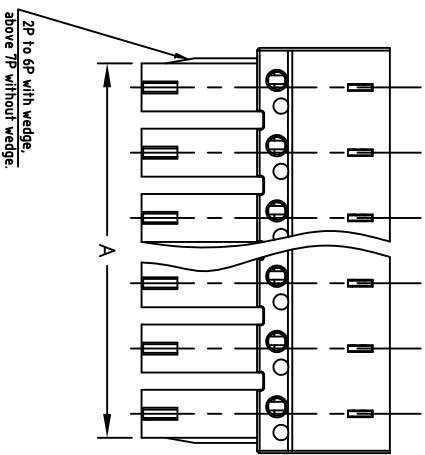


Rev	AWO #	Description	Date	Appr
-		RELEASED	4/07/11	

APPROVED: _____

DATE: _____ TITLE: _____



Positions: 2 thru 24
 A = .150 [3.81] x No. of (Poles-1) + .110 [2.80]
 B = .150 [3.81] x No. of (Poles-1)
 C = .150 [3.81] x No. of (Poles-1) + .181 [4.60]

ADAM TECH

909 Rahway Avenue, Union, NJ 07083
 Phone: 908-687-5000 Fax: 908-687-5710

TERMINAL BLOCK, PCB, .150 [3.81] PITCH

SPECIFICATIONS:
 Material: Thermoplastic, rated UL 94V-0
 Insulator color: Black
 Contact: Phosphor Bronze, Tin plated
Electrical:
 Operation voltage: 300 VAC max
 Current rating: 8 Amps
 Withstanding Voltage: 1.6KV
Environmental:
 Operating temperature: -40°C to +115°C
 Lead free, RoHS compliant.
 Recommended soldering temp: 235°C for 5 sec.



UNLESS OTHERWISE SPECIFIED ALL DIMENSIONS ARE MM [INCHES] TOLERANCES: EXCEPT AS NOTED	
.X	± .10
.XX	± .020
.XXX	± .015
ØXX	± .10
ØXXX	± .015
ØXXXX	± .010
APPROVALS	DATE
DRAWN	4/07/11
CHECKED	
APPROVED	

SIZE	PART NO.	REV.
X	EB50-A-XX-B-BK	-
REF:	S00007T	SHEET 1 OF 1