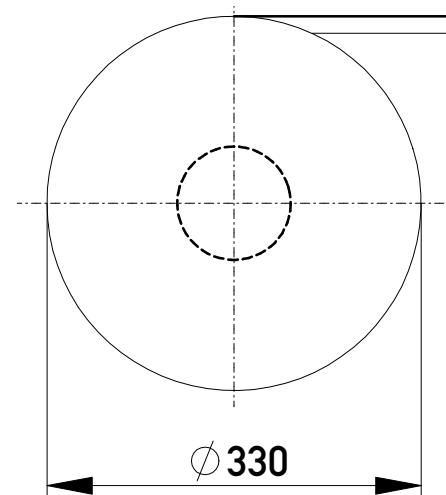
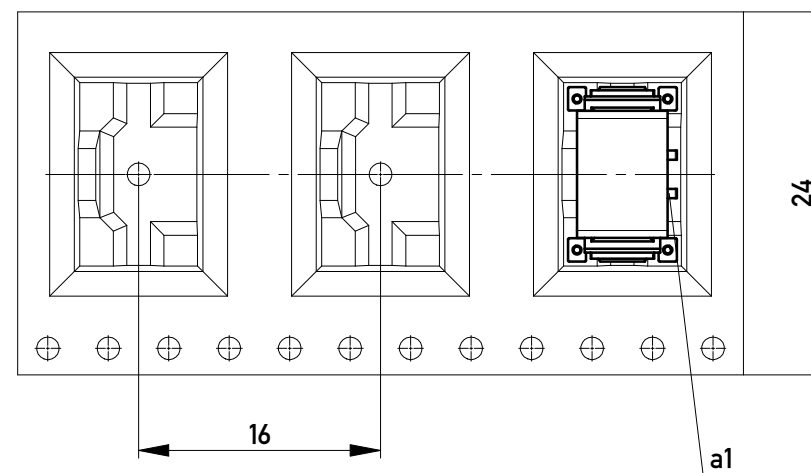


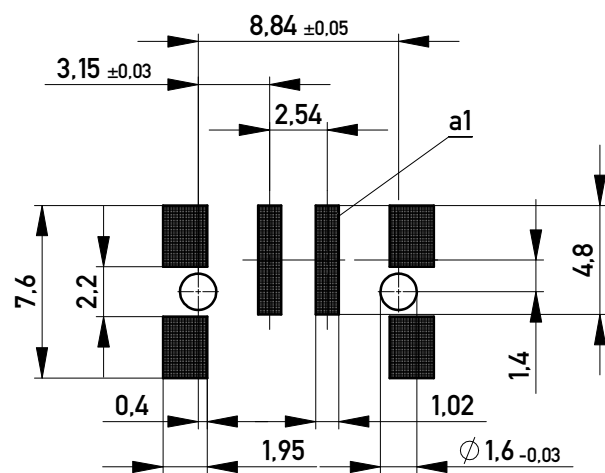
Verpackt im Gurt in Anlehnung an DIN IEC 60286-3  
 Tape on Reel Packaging according to DIN IEC 60286-3  
 Verpackungseinheit: 320 Stück  
 Packaging unit: 320 pcs



Abspulrichtung - Reel off Direction



Leiterplatten-Layout Vorschlag für SMT  
 PCB-Layout Proposal for SMT



Anforderungsstufe 1  
 Performance Level 1

Kontaktbereich vergoldet  
 Mating Area gold plating

Anschlussbereich verzinkt 4-6 µm  
 Terminal Area 4-6 µm tin plating

Koplanarität der Anschlüsse ≤ 0,1 mm  
 Coplanarity Area of Termination ≤ 0,1 mm

Copyright by ERNI GmbH  
 Proprietary notice pursuant to ISO 16016 to be observed.

Information: Codierung, schwarz - coding, black		Tolerances		Scale	3:1
All rights reserved. Only for Information. To ensure that this is the latest version of this drawing, please contact one of the ERNI companies before using.		Subject to modification without prior notice. Drawing will not be updated.		Designation <b>M 2,54 SRC-P, 2-polig</b>	
g		23.02.2016		105503880001	
Index		Date		K	
		www.ERNI.com		A3	
		ERNI		Class SRCP	