

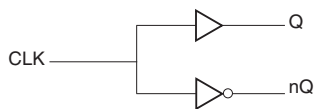
## DESCRIPTION

The 8302I-01 is a low skew, 1-to-2 LVCMOS/LVTTTL Fanout Buffer w/Complementary Output. The 8302I-01 has a single ended clock input. The single ended clock input accepts LVCMOS or LVTTTL input levels. The 8302I-01 is characterized at full 3.3V for input  $V_{DD}$ , and mixed 3.3V and 2.5V for output operating supply modes ( $V_{DDO}$ ). Guaranteed output and part-to-part skew characteristics make the 8302I-01 ideal for clock distribution applications demanding well defined performance and repeatability.

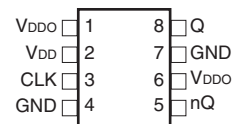
## FEATURES

- Complementary LVCMOS / LVTTTL output
- LVCMOS / LVTTTL clock input accepts LVCMOS or LVTTTL input levels
- Maximum output frequency: 250MHz
- Output skew: 165ps (maximum)
- Part-to-part skew: 800ps (maximum)
- Small 8 lead SOIC package saves board space
- Full 3.3V or 3.3V core/2.5V output supply modes
- -40°C to 85°C ambient operating temperature
- Available in lead-free compliant package

## BLOCK DIAGRAM



## PIN ASSIGNMENTS



### 8302I-01 8-Lead SOIC

3.8mm x 4.8mm, x 1.47mm package body

### M Package Top View

**TABLE 1. PIN DESCRIPTIONS**

Number	Name	Type		Description
1, 6	V <sub>DDO</sub>	Power		Output supply pins.
2	V <sub>DD</sub>	Power		Power supply pin.
3	CLK	Input	Pulldown	LVC MOS / LV TTL clock input.
4,7	GND	Power		Power supply ground.
5	nQ	Output		Complementary clock output. LVC MOS / LV TTL interface levels.
8	Q	Output		Clock output. LVC MOS / LV TTL interface levels.

NOTE: *Pulldown* refer to internal input resistors. See Table 2, Pin Characteristics, for typical values.

**TABLE 2. PIN CHARACTERISTICS**

Symbol	Parameter	Test Conditions	Minimum	Typical	Maximum	Units
C <sub>IN</sub>	Input Capacitance			4		pF
C <sub>PD</sub>	Power Dissipation Capacitance (per output)	V <sub>DD</sub> , V <sub>DDO</sub> = 3.465V		22		pF
		V <sub>DD</sub> = 3.465V, V <sub>DDO</sub> = 2.625V		16		pF
R <sub>PULLDOWN</sub>	Input Pulldown Resistor			51		kΩ
R <sub>OUT</sub>	Output Impedance		5	7	12	Ω

**ABSOLUTE MAXIMUM RATINGS**

Supply Voltage, $V_{DD}$	4.6V
Inputs, $V_I$	-0.5V to $V_{DD} + 0.5V$
Outputs, $V_O$	-0.5V to $V_{DDO} + 0.5V$
Package Thermal Impedance, $\theta_{JA}$	112.7°C/W (0 lfpm)
Storage Temperature, $T_{STG}$	-65°C to 150°C

NOTE: Stresses beyond those listed under Absolute Maximum Ratings may cause permanent damage to the device. These ratings are stress specifications only. Functional operation of product at these conditions or any conditions beyond those listed in the *DC Characteristics* or *AC Characteristics* is not implied. Exposure to absolute maximum rating conditions for extended periods may affect product reliability.

**TABLE 3A. POWER SUPPLY DC CHARACTERISTICS,  $V_{DD} = 3.3V \pm 5\%$ ,  $V_{DDO} = 3.3V \pm 5\%$  OR  $2.5V \pm 5\%$ ,  $T_A = -40^\circ C$  TO  $85^\circ C$** 

Symbol	Parameter	Test Conditions	Minimum	Typical	Maximum	Units
$V_{DD}$	Power Supply Voltage		3.135	3.3	3.465	V
$V_{DDO}$	Output Power Supply Voltage		3.135	3.3	3.465	V
			2.375	2.5	2.625	V
$I_{DD}$	Power Supply Current				13	mA
$I_{DDO}$	Output Supply Current				4	mA

**TABLE 3B. LVCMOS / LVTTTL DC CHARACTERISTICS,  $V_{DD} = 3.3V \pm 5\%$ ,  $V_{DDO} = 3.3V \pm 5\%$  OR  $2.5V \pm 5\%$ ,  $T_A = -40^\circ C$  TO  $85^\circ C$** 

Symbol	Parameter	Test Conditions	Minimum	Typical	Maximum	Units
$V_{IH}$	Input High Voltage		2		$V_{DD} + 0.3$	V
$V_{IL}$	Input Low Voltage		-0.3		0.8	V
$I_{IH}$	Input High Current	CLK $V_{DD} = V_{IN} = 3.465V$			150	$\mu A$
$I_{IL}$	Input Low Current	CLK $V_{DD} = 3.465V, V_{IN} = 0V$	-5			$\mu A$
$V_{OH}$	Output High Voltage	$V_{DDO} = 3.465, 50\Omega$ to $V_{DDO}/2$	2.6			V
		$V_{DDO} = 3.465, I_{OH} = -100\mu A$	2.9			V
		$V_{DDO} = 2.625, 50\Omega$ to $V_{DDO}/2$	1.8			V
		$V_{DDO} = 2.625, I_{OH} = -100\mu A$	2.2			V
$V_{OL}$	Output Low Voltage	$V_{DDO} = 3.465, 50\Omega$ to $V_{DDO}/2$			0.5	V
		$V_{DDO} = 3.465, I_{OL} = 100\mu A$			0.2	V
		$V_{DDO} = 2.625, 50\Omega$ to $V_{DDO}/2$			0.5	V
		$V_{DDO} = 2.625, I_{OL} = 100\mu A$			0.2	V

**TABLE 4A. AC CHARACTERISTICS,  $V_{DD} = V_{DDO} = 3.3V \pm 5\%$ ,  $T_A = -40^\circ\text{C}$  TO  $85^\circ\text{C}$** 

Symbol	Parameter	Test Conditions	Minimum	Typical	Maximum	Units
$f_{MAX}$	Output Frequency				250	MHz
$t_{p_{LH}}$	Propagation Delay, Low-to-High; NOTE 1		1.8		2.7	ns
$t_{sk(o)}$	Output Skew; NOTE 2, 4				165	ps
$t_{sk(pp)}$	Part-to-Part Skew; NOTE 3, 4				800	ps
$t_R / t_F$	Output Rise/Fall Time	20% to 80%	300		800	ps
odc	Output Duty Cycle	$f \leq 133\text{MHz}$	45		55	%
		$133\text{MHz} < f \leq 250\text{MHz}$	40		60	%

NOTE 1: Measured from  $V_{DD}/2$  of the input to  $V_{DDO}/2$  of the output.

NOTE 2: Defined as skew between outputs at the same supply voltage and with equal load conditions.

Measured at  $V_{DDO}/2$ .

NOTE 3: Defined as skew between outputs on different devices operating at the same supply voltages and with equal load conditions. Using the same type of inputs on each device, the outputs are measured at  $V_{DDO}/2$ .

NOTE 4: This parameter is defined in accordance with JEDEC Standard 65.

**TABLE 4B. AC CHARACTERISTICS,  $V_{DD} = 3.3V \pm 5\%$ ,  $V_{DDO} = 2.5V \pm 5\%$ ,  $T_A = -40^\circ\text{C}$  TO  $85^\circ\text{C}$** 

Symbol	Parameter	Test Conditions	Minimum	Typical	Maximum	Units
$f_{MAX}$	Output Frequency				250	MHz
$t_{p_{LH}}$	Propagation Delay, Low-to-High; NOTE 1		1.9		2.9	ns
$t_{sk(o)}$	Output Skew; NOTE 2, 4				250	ps
$t_{sk(pp)}$	Part-to-Part Skew; NOTE 3, 4				900	ps
$t_R / t_F$	Output Rise/Fall Time	20% to 80%	100		850	ps
odc	Output Duty Cycle	$f \leq 133\text{MHz}$	45		55	%
		$133\text{MHz} < f \leq 250\text{MHz}$	40		60	%

NOTE 1: Measured from  $V_{DD}/2$  of the input to  $V_{DDO}/2$  of the output.

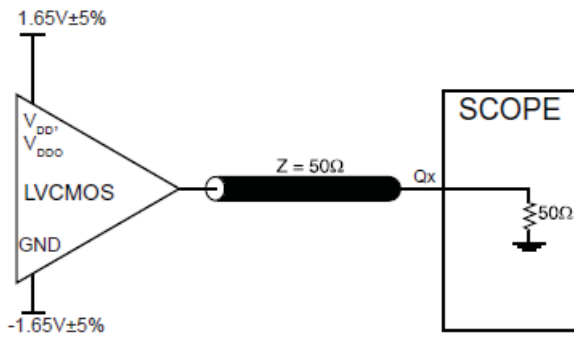
NOTE 2: Defined as skew between outputs at the same supply voltage and with equal load conditions.

Measured at  $V_{DDO}/2$ .

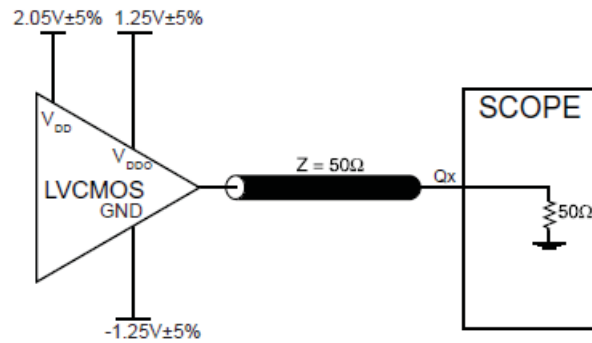
NOTE 3: Defined as skew between outputs on different devices operating at the same supply voltages and with equal load conditions. Using the same type of inputs on each device, the outputs are measured at  $V_{DDO}/2$ .

NOTE 4: This parameter is defined in accordance with JEDEC Standard 65.

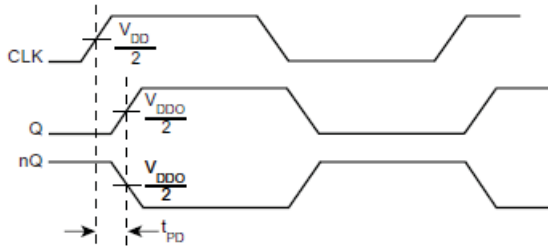
# PARAMETER MEASUREMENT INFORMATION



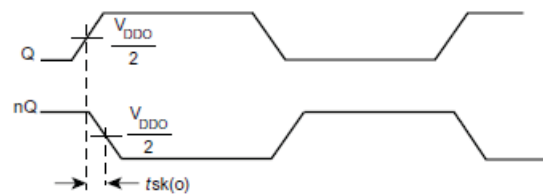
3.3V CORE/3.3V OUTPUT LOAD AC TEST CIRCUIT



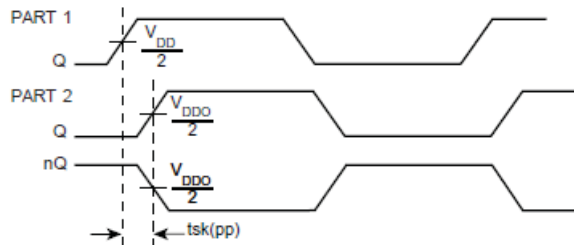
3.3V/2.5V OUTPUT LOAD AC TEST CIRCUIT



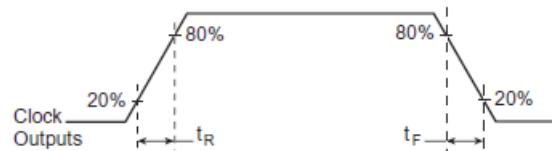
PROPAGATION DELAY



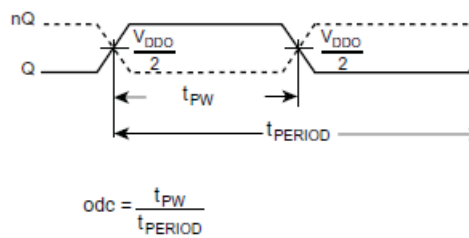
OUTPUT SKEW



PART-TO-PART SKEW



OUTPUT RISE/FALL TIME



OUTPUT DUTY CYCLE/PULSE WIDTH/PERIOD

## RELIABILITY INFORMATION

TABLE 5.  $\theta_{JA}$  vs. AIR FLOW TABLE FOR 8 LEAD SOIC

$\theta_{JA}$ by Velocity (Linear Feet per Minute)			
	0	200	500
Single-Layer PCB, JEDEC Standard Test Boards	153.3°C/W	128.5°C/W	115.5°C/W
Multi-Layer PCB, JEDEC Standard Test Boards	112.7°C/W	103.3°C/W	97.1°C/W

**NOTE:** Most modern PCB designs use multi-layered boards. The data in the second row pertains to most designs.

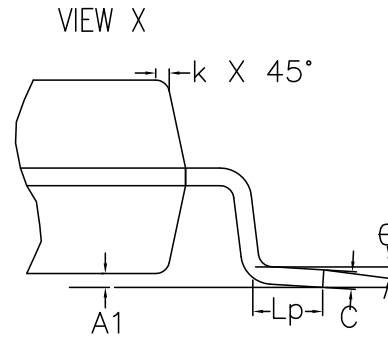
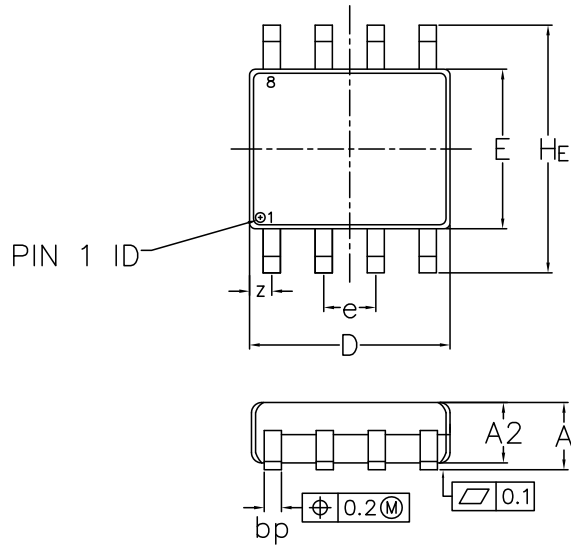
### TRANSISTOR COUNT

The transistor count for 8302I-01 is: 322

BASED ON IEC 191-2Q: TYPE 076E35 B  
 1. DIMENSIONS

DIMENSIONS IN MILLIMETERS

REVISIONS			
REV	DESCRIPTION	DATE	APPROVED
00	INITIAL RELEASE	2/24/16	J.H



DIMENSIONS OF SUB-GROUP B1	
A max	1.95
bp min	0.35
bp max	0.49
e nom	1.27
HE min	5.80
HE max	6.30
Lpmin	0.40
Z max	0.635

DIMENSIONS OF SUB-GROUP C1	
A min	1.55
A1 min	0.10
A1 max	0.30
A2 min	1.40
A2 max	1.80
c min	0.15
c max	0.25
D min*	4.80
D max*	5.00
E min*	3.80
E max*	4.00
k min	0.33
$\theta$ max	0°
$\theta$ max	8°

2. WEIGHT  $\leq 0.3$  g
3. BODY MATERIAL LOW STRESS EPOXY
4. LEAD MATERIAL FeNi-ALLOY or Cu-ALLOY
5. LEAD FINISH SOLDER PLATING
6. LEAD FORM Z-BENDS

\* WITHOUT MOLD FLASH

TOLERANCES UNLESS SPECIFIED		6024 Silver Creek Valley Rd San Jose, CA 95138 PHONE: (408) 284-8200 FAX: (408) 284-3572
DECIMAL	ANGULAR	
XX±	±	
XXX±		
XXXX±		www.IDT.com
APPROVALS	DATE	TITLE
DRAWN <i>BJC</i>	2/24/16	DCG8 PACKAGE OUTLINE 150 mil SOP
CHECKED		
SIZE	DRAWING No.	REV
C	PSC-4068-03	00
DO NOT SCALE DRAWING		SHEET 1 OF 1

## Ordering Information

Orderable Part Number	Marking	Package	Carrier Type	Temperature
8302AMI-01LF	302AI01L	3.8 x 4.8 x 1.47 mm 8-SOIC	Tube	-40° to +85°C
8302AMI-01LF	302AI01L	3.8 x 4.8 x 1.47 mm 8-SOIC	Tape and Reel	-40° to +85°C

## Revision History

Revision Date	Description of Change
May 4, 2017	<ul style="list-style-type: none"> <li>▪ Corrected and updated the Ordering Information Table.</li> <li>▪ Updated package information.</li> <li>▪ Updated datasheet header/footer.</li> </ul>
March 9, 2016	<ul style="list-style-type: none"> <li>▪ Features section - removed reference to leaded package</li> <li>▪ Ordering Information table - removed quantity from tape and reel. Deleted LF note below table.</li> <li>▪ Added Contact Page</li> </ul>
July 29, 2010	<ul style="list-style-type: none"> <li>▪ Updated datasheet header/footer with IDT logo from ICS logo.</li> <li>▪ Ordering Information table - removed ICS prefix from Part/Order Number column.</li> <li>▪ Added Contact Page.</li> </ul>



Corporate Headquarters  
 6024 Silver Creek Valley Road  
 San Jose, CA 95138 USA  
[www.IDT.com](http://www.IDT.com)

Sales  
 1-800-345-7015 or 408-284-8200  
 Fax: 408-284-2775  
[www.IDT.com/go/sales](http://www.IDT.com/go/sales)

Tech Support  
[www.IDT.com/go/support](http://www.IDT.com/go/support)

DISCLAIMER Integrated Device Technology, Inc. (IDT) and its affiliated companies (herein referred to as "IDT") reserve the right to modify the products and/or specifications described herein at any time, without notice, at IDT's sole discretion. Performance specifications and operating parameters of the described products are determined in an independent state and are not guaranteed to perform the same way when installed in customer products. The information contained herein is provided without representation or warranty of any kind, whether express or implied, including, but not limited to, the suitability of IDT's products for any particular purpose, an implied warranty of merchantability, or non-infringement of the intellectual property rights of others. This document is presented only as a guide and does not convey any license under intellectual property rights of IDT or any third parties.

IDT's products are not intended for use in applications involving extreme environmental conditions or in life support systems or similar devices where the failure or malfunction of an IDT product can be reasonably expected to significantly affect the health or safety of users. Anyone using an IDT product in such a manner does so at their own risk, absent an express, written agreement by IDT.

Integrated Device Technology, IDT and the IDT logo are trademarks or registered trademarks of IDT and its subsidiaries in the United States and other countries. Other trademarks used herein are the property of IDT or their respective third party owners. For datasheet type definitions and a glossary of common terms, visit [www.idt.com/go/glossary](http://www.idt.com/go/glossary). Integrated Device Technology, Inc.. All rights reserved.