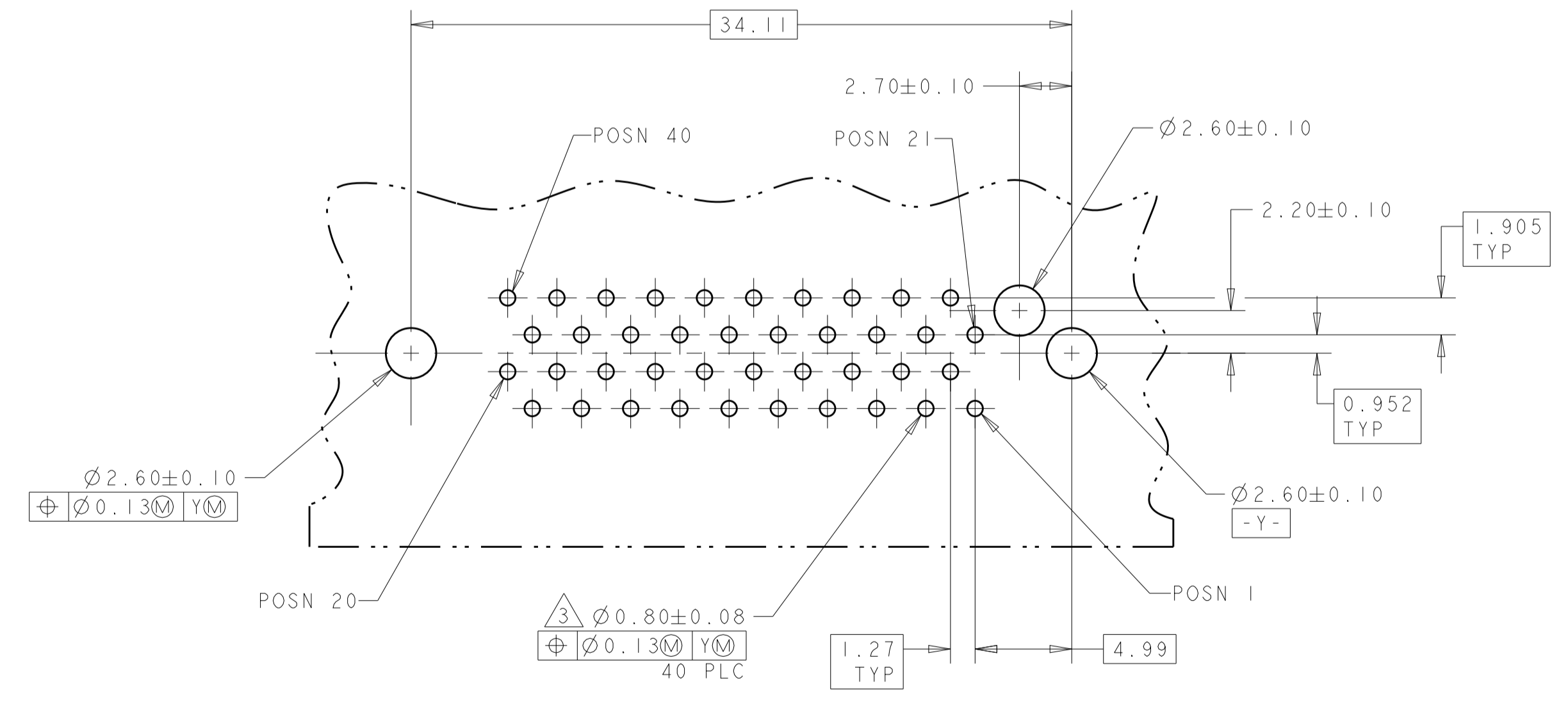
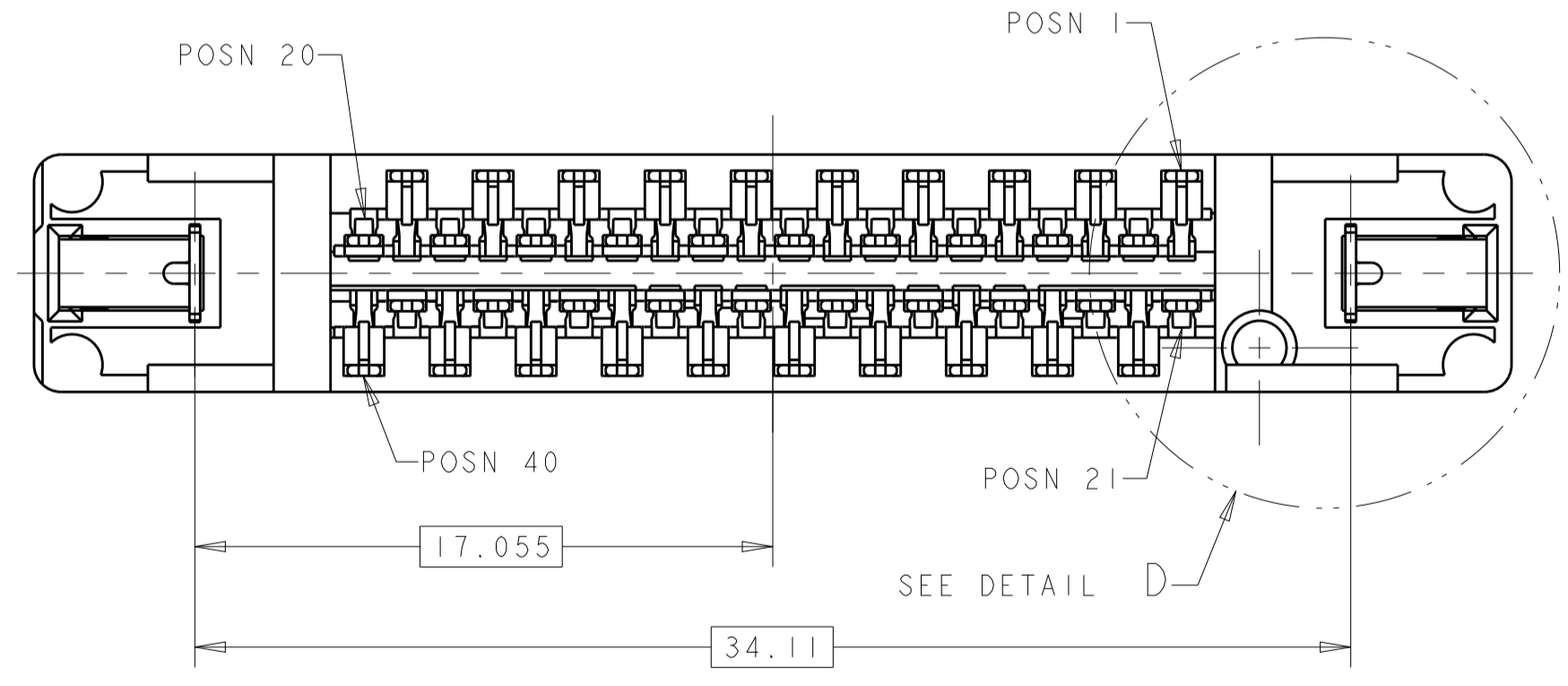
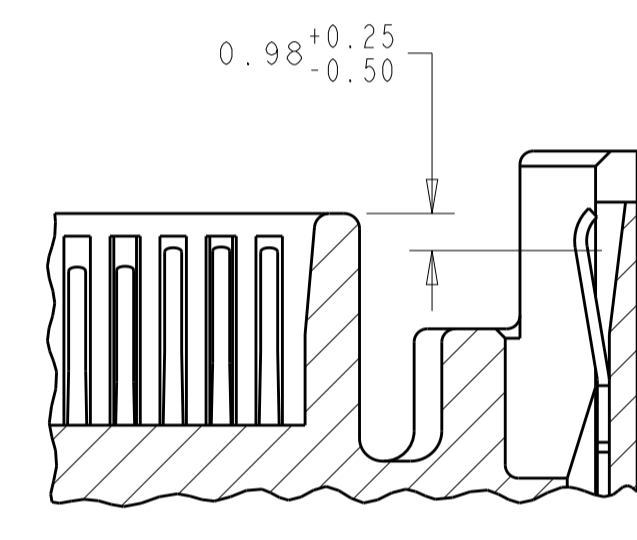
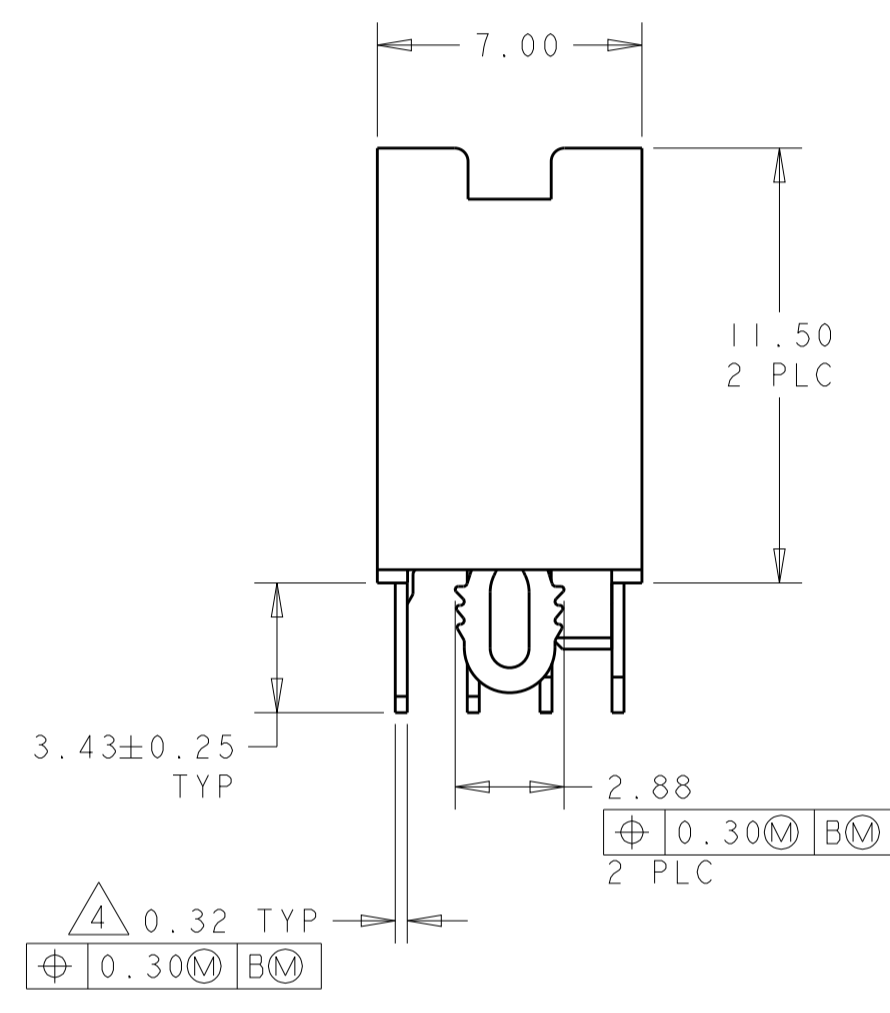
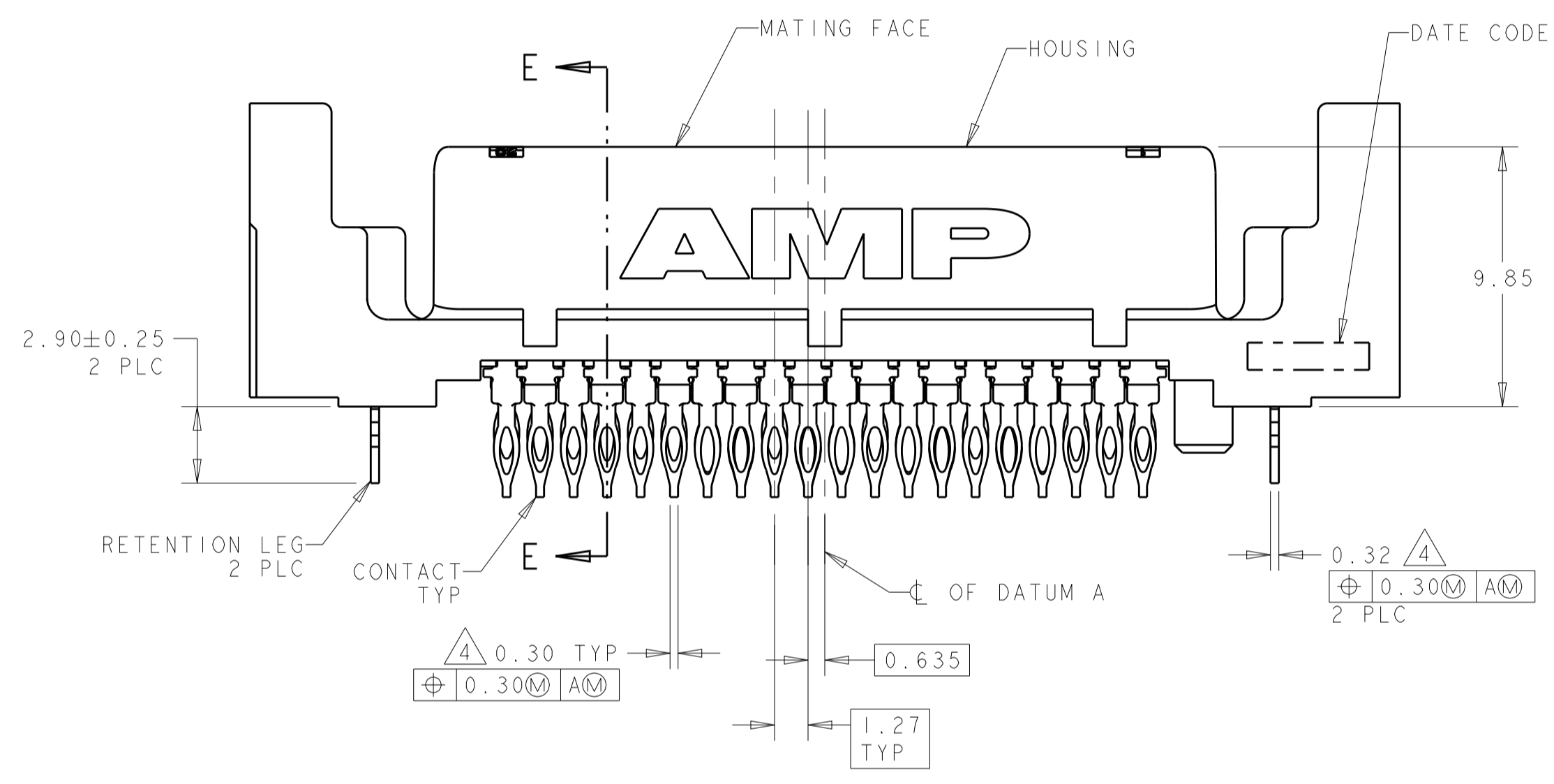
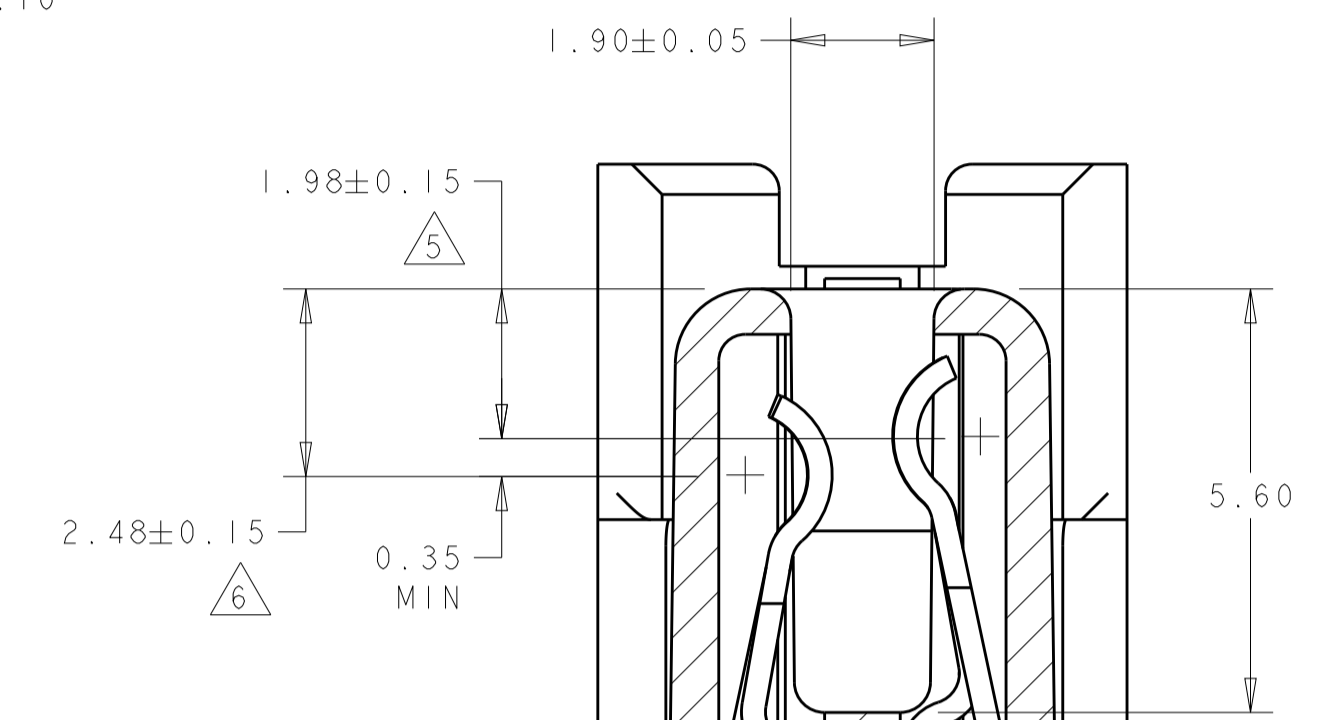
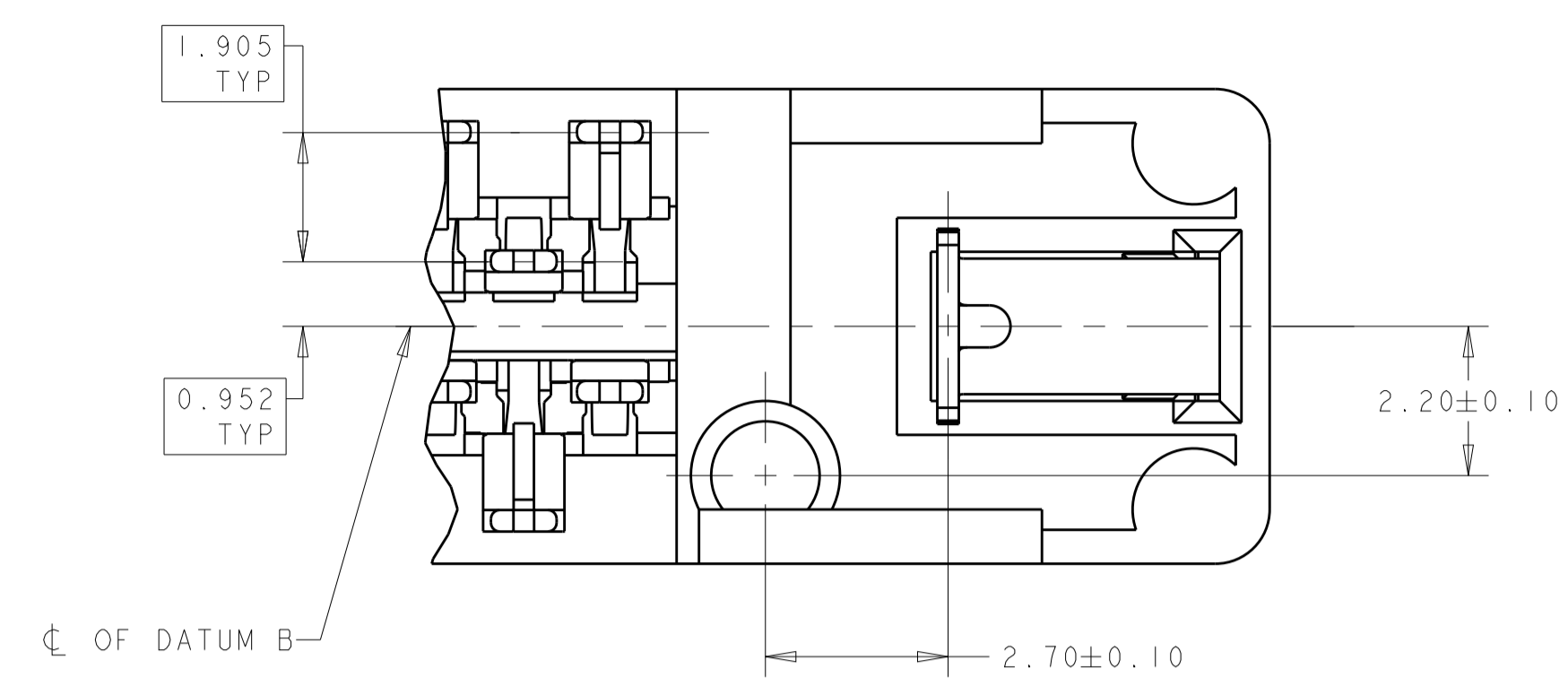
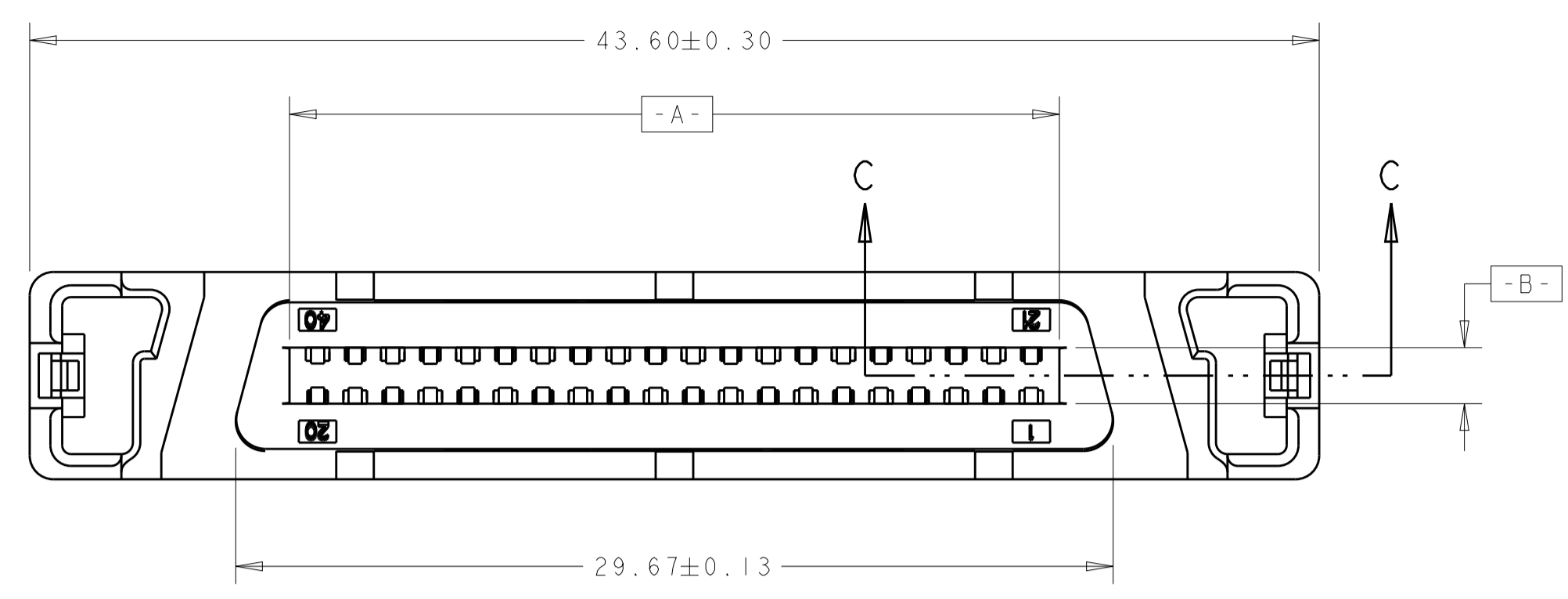


LOC		DIST		REVISIONS			
GP	00	P	LTH	DESCRIPTION	DATE	DWN	APVD
		D		PER ECO-12-012349	16APR13	BL	AC



RECOMMENDED PC BOARD MOUNTING DIMENSIONS COMPONENT SIDE SCALE 4:1

- 1 HOUSING: LCP, UL 94V-0 RATED, BLACK. CONTACTS: PHOSPHOR BRONZE. RETENTION LEG: BRASS.
- 2 0.76µm GOLD FOR A LENGTH OF 1.20 MIN STARTING 0.50 MAX FROM MATING END, 1.27µm-3.81µm TIN-LEAD FOR A LENGTH OF 3.43 MIN FROM OPPOSITE END, BOTH OVER 1.27µm MIN NICKEL.
- 3 RECOMMENDED DRILLED HOLE SIZE BEFORE PLATING IS Ø0.87 TO Ø0.93.
- 4 POSITION TOLERANCE APPLIES AT CONTACT TIP ONLY.
- 5 DIMENSION APPLIES TO CONTACT POSITIONS 21, 22, 23, 26, 29, 32, AND 35 THRU 40.
- 6 DIMENSION APPLIES TO CONTACT POSITIONS 1 THRU 20, 24, 25, 27, 28, 30, 31, 33, AND 34.
- 7 3.81µm MIN TIN-LEAD OVER 1.27µm MIN NICKEL.
- 8 RECOMMENDED PC BOARD THICKNESS IS 2.36 TO 3.81.
- 9 0.76µm GOLD FOR A LENGTH OF 1.20 MIN STARTING 0.50 MAX FROM MATING END, 1.27µm-3.81µm MATTE TIN FOR A LENGTH OF 3.43 MIN FROM OPPOSITE END, BOTH OVER 1.27µm MIN NICKEL.
- 10 3.81µm MIN HALT TIN OVER 1.27µm MIN NICKEL.

OBSELETE	RETENTION LEG FINISH	CONTACT FINISH	796068-3
			796068-1
			PART NUMBER

THIS DRAWING IS A CONTROLLED DOCUMENT.		DWN	R. FOLTZ	07NOV97
DIMENSIONS:		CHK	J. SWANK	10NOV97
mm	0 PLC ±	APVD	J. SWANK	10NOV97
	1 PLC ±0.10	NAME		
	2 PLC ±	RECEPTACLE ASSEMBLY, VERTICAL,		
	3 PLC ±	40 POSITION, PRESS FIT,		
	4 PLC ±	CHAMP BLINDMATE .050 SERIES I		
	ANGLES ±	PRODUCT SPEC	108-1548	
	FINISH	APPLICATION SPEC		
MATERIAL	SEE TABLE	WEIGHT	A100779	C=796068
		CUSTOMER DRAWING	SCALE 5:1	SHEET 1 OF 1 REV D