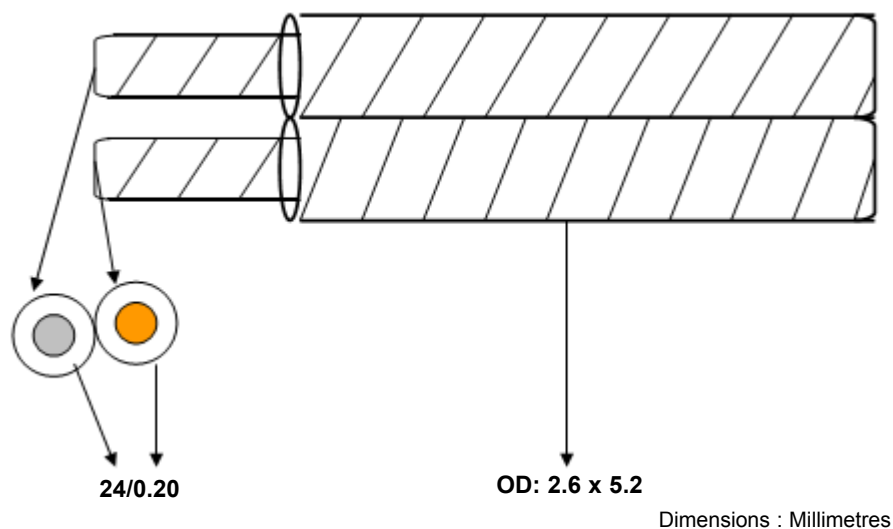


Flexible OFC Transparent Audio Cable

PRO-POWER
Quality Cables



Specifications:

Conductor area : 24/0.20mm x 2F.

Inner conductor is one side tinned copper strand, one side bare copper strand.

Sheath : Clear PVC jacket.

Part Number Table

Description	Part Number
Cable, Audio, 2 x 0.75mm, Transparent, 100M	JY0224

PRO-POWER
Quality Cables