

ALTERNATOR DIODE FOR AUTOMOTIVE APPLICATION.

### FEATURES

□ Average Forward Current :  $I_O=50A$ .

□ Reverse Voltage : 200V(Min.)

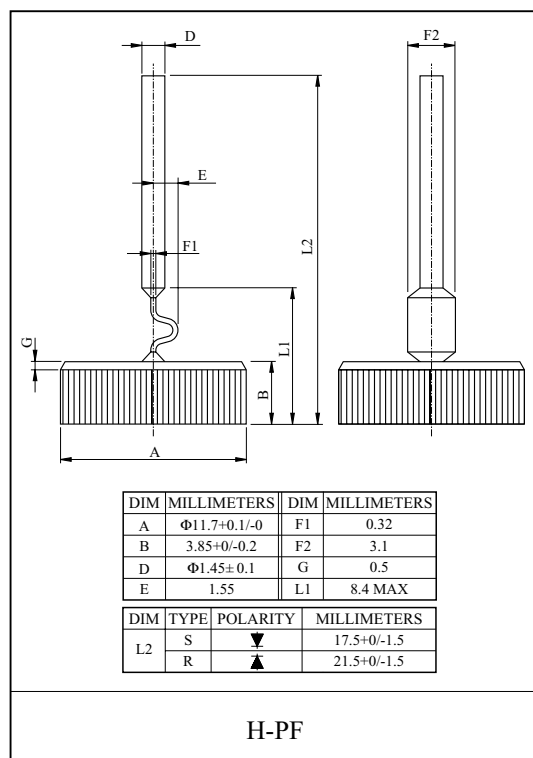
### POLARITY

E50A2CPS (+ Type)

E50A2CPR (- Type)

### MAXIMUM RATING ( $T_a=25^\circ C$ )

CHARACTERISTIC	SYMBOL	RATING	UNIT
Average Forward Current	$I_{FM}$	50	A
Peak 1 Cycle Surge Current	$I_{FS}$	500 (60Hz)	A
Repetitive Peak Reverse Voltage	$V_{RRM}$	200	V
Junction Temperature	$T_j$	-40 ~ 200	$^\circ C$
Storage Temperature Range	$T_{stg}$	-40 ~ 200	$^\circ C$



### ELECTRICAL CHARACTERISTICS ( $T_a=25^\circ C$ )

CHARACTERISTIC	SYMBOL	TEST CONDITION	MIN.	TYP.	MAX.	UNIT
Forward Voltage	$V_F$	$I_{FM}=100A$	-	-	1.05	V
Reverse Voltage	$V_R$	$I_R=5mA$	200	-	-	V
Reverse Current	$I_R$	$V_R=200V$	-	-	50	$\mu A$
Transient Thermal Resistance	$\Delta V_F$	$I_{FM}=100A, I_M=100mA,$ $P_w=100ms$	-	-	130	mV
Reverse Recovery Time	$t_{rr}$	$I_F=100mA, I_{RP}=100mA$	-	-	15	$\mu s$
Reverse Leakage Current Under High Temperature	$HI_R$	$T_a=150^\circ C, V_R=200V$	-	-	2.5	mA
Temperature Resistance	$R_{th}$	Junction to Base	-	-	0.8	$^\circ C/W$
		Junction to Fin	-	-	1.0	