

CUSTOMER TERMINAL	RoHS	LEAD(Pb)-FREE
Sn100%	Yes	Yes

more than you expect

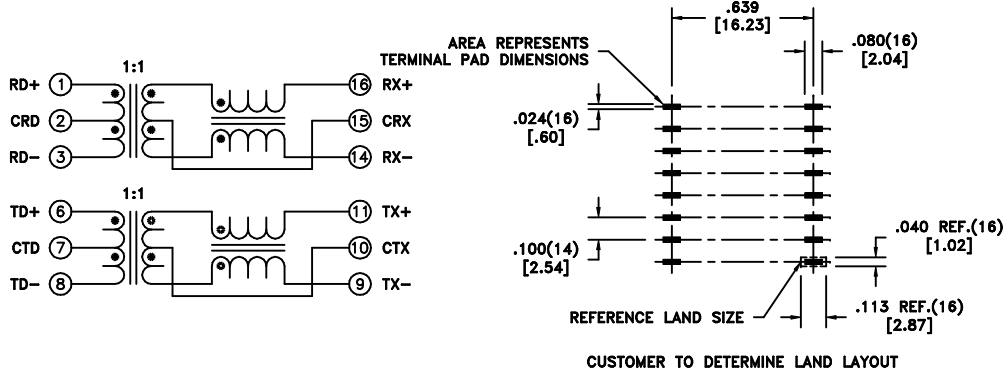
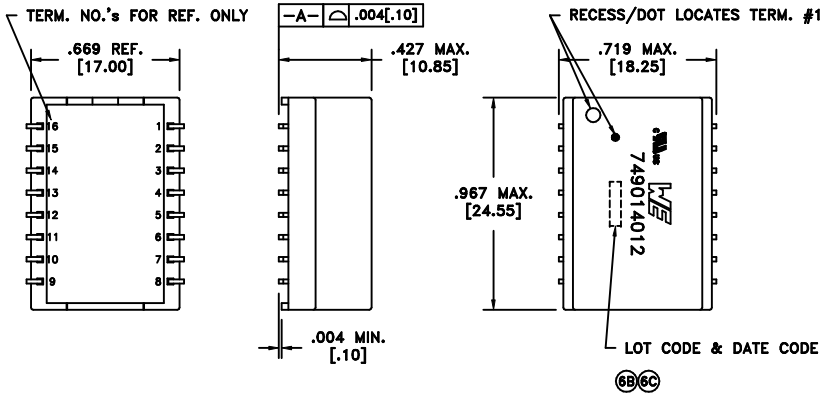


Midcom

WÜRTH ELEKTRONIK

**ELECTRICAL SPECIFICATIONS @ 25°C unless otherwise noted:**

PARAMETER	TEST CONDITIONS	VALUE	
INDUCTANCE	16-14	100kHz, 100mVAC, 8mADC, Lp	350uH min.
INDUCTANCE	11-9	100kHz, 100mVAC, 8mADC, Lp	350uH min.
<b>6B</b> DIELECTRIC	INPUT-OUTPUT	4800Vrms, 1 second	4000Vrms, 1 minute
TURNS RATIO		(1-3):(16-14)	1:1, ±2%
TURNS RATIO		(6-8):(11-9)	1:1, ±2%
INSERTION LOSS		500k - 100MHz	-1.2dB max.
RETURN LOSS		500k - 30MHz	-18dB min.
RETURN LOSS		30M - 45MHz	-15dB min.
RETURN LOSS		45M - 60MHz	-13dB min.
RETURN LOSS		60M - 80MHz	-10dB min.
CROSSTALK		1M - 100MHz	-40dB min.
DCMR		500k - 100MHz	-33dB min.



**GENERAL SPECIFICATIONS:**

OPERATING TEMPERATURE RANGE: 0°C to +70°C.

COPLANARITY: All 16 terminals must lie on a plane within .004 [.10] of Surface A after lead tinning.

- 6B** Designed to comply with the following requirements as defined by IEC60950-1:
  - Reinforced insulation at a working voltage of 250Vrms.
- 6B** Designed to comply with with 8mm min. creepage and clearance as defined by IEC60601-1.

<b>6B</b>	
AGENCY NUMBER	
UL60950	E205930
CSA60950 (Via CUL)	E205930

REV.	DATE	Packaging Specifications	CONVENTION PLACEMENT
6C	12/12	Method: Tape & Reel PKG-0670	
6B	2/10	www.we-online.com/midcom	
6A	2/08	SEE REVISION SHEET FOR	

Tolerances unless otherwise specified:  
 Angles: ±1°      Decimals: ±.005 [.13]  
 Fractions: ±1/64      Footprint: ±.005 [.13]

This drawing is dual dimensioned. Dimensions in brackets are in millimeters.

DRAWING TITLE  
**TRANSFORMER**  
**EDFP-J16**

eiSos p/n: 749014012

PART NO.  
**749014012**

SPECIFICATION SHEET 1 OF 1

