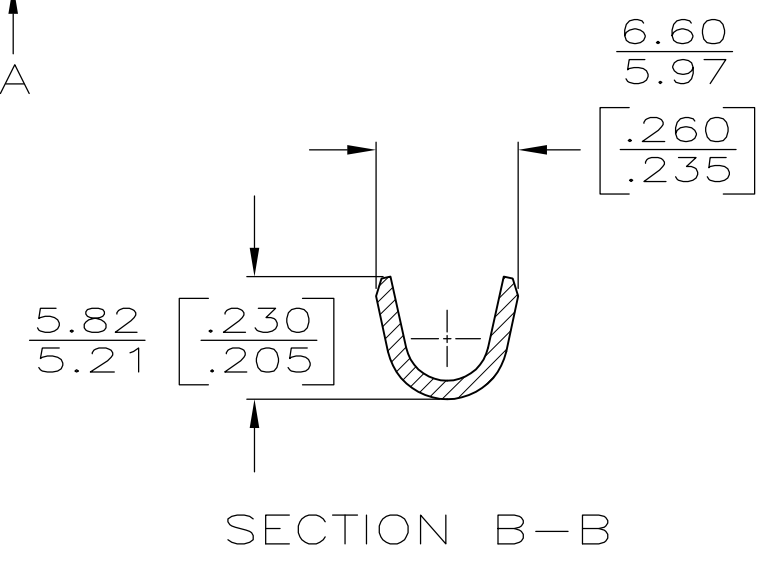
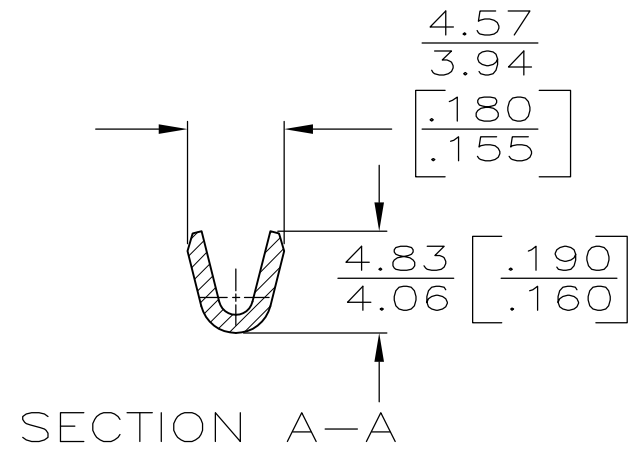
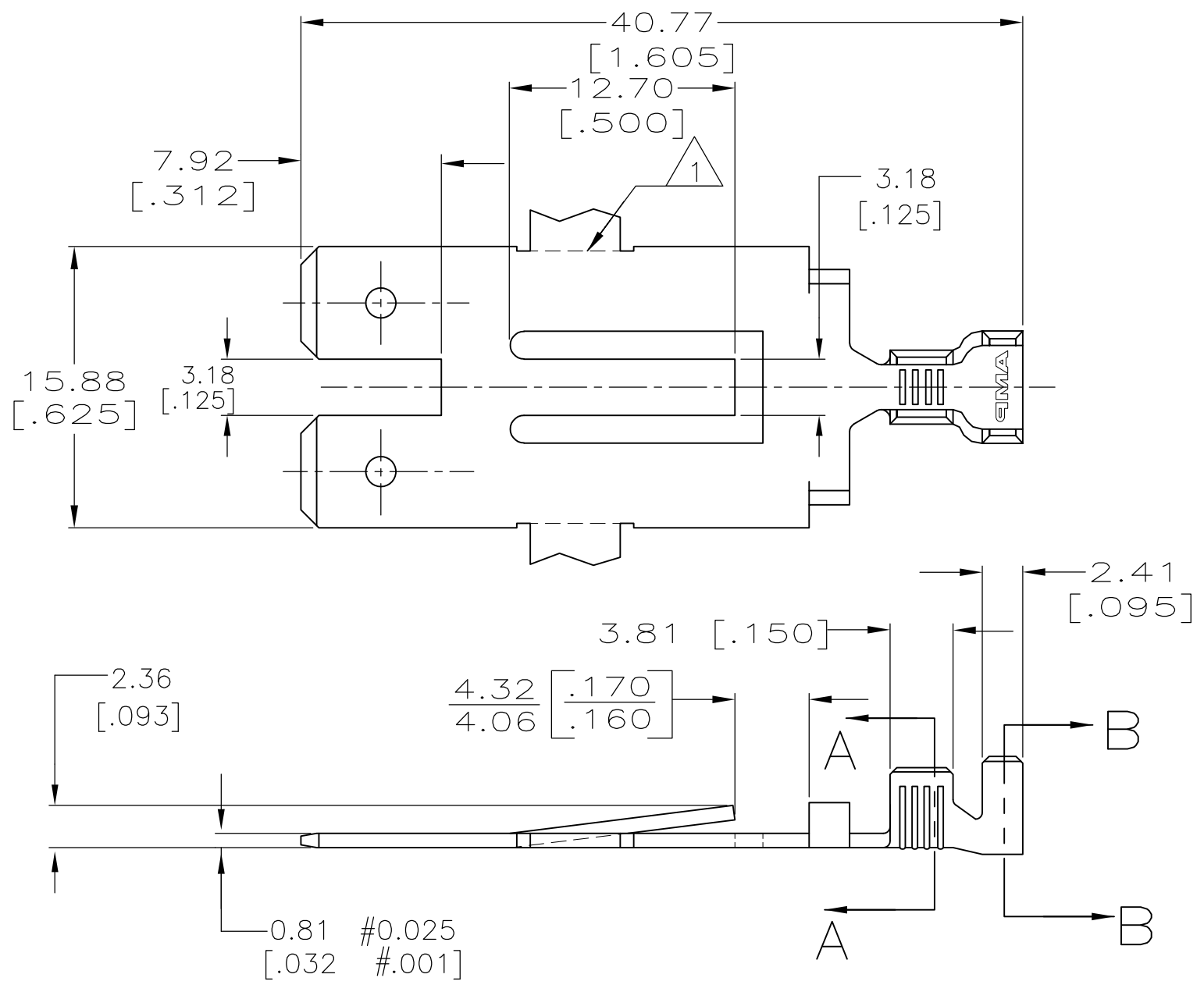


THIS DRAWING IS UNPUBLISHED. RELEASED FOR PUBLICATION  
 © COPYRIGHT - By - ALL RIGHTS RESERVED.

LOC	DIST	REVISIONS			
P	LTR	DESCRIPTION	DATE	DWN	APVD
AF	50	L	REVISED PER ECR-13-005733	29AUG2013	KH PD

1 CUT-OFF TAB TO BE FLUSH TO .005 BELOW EDGE OF TERMINAL.



3.05-4.32 DIA [.120-.170] DIA	#18-#14 AWG	61851-1
INSULATION RANGE	WIRE SIZE	PART NO.

THIS DRAWING IS A CONTROLLED DOCUMENT.		DWN	JR RUTH	2/10/95	TE Connectivity NAME TAB, FASTIN-FASTON, 6.35 [.250] SERIES (SPECIAL DOUBLE TAB)									
DIMENSIONS: mm [INCHES]		CHK	MS FEHER	2/10/95										
TOLERANCES UNLESS OTHERWISE SPECIFIED:		APVD	J GILLESPIE	2/10/95										
0 PLC ± - 1 PLC ± - 2 PLC ± 0.38 [.015] 3 PLC ± - 4 PLC ± - ANGLES ± -		PRODUCT SPEC	-	-										
MATERIAL	BRASS	FINISH	TIN	APPLICATION SPEC	-	SIZE	A3	CAGE CODE	00779	DRAWING NO	C-61851	RESTRICTED TO	-	
CUSTOMER DRAWING						WEIGHT	-	SCALE		3:1	SHEET	1 OF 1	REV	L