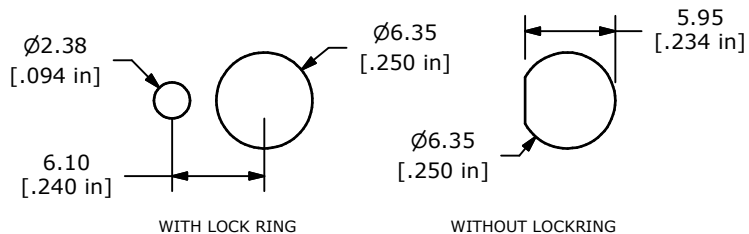
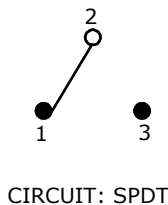


SWITCH FUNCTION		
POS. 1	POS. 1	POS. 1
(ON)	OFF	(ON)
2-3	OPEN	2-1

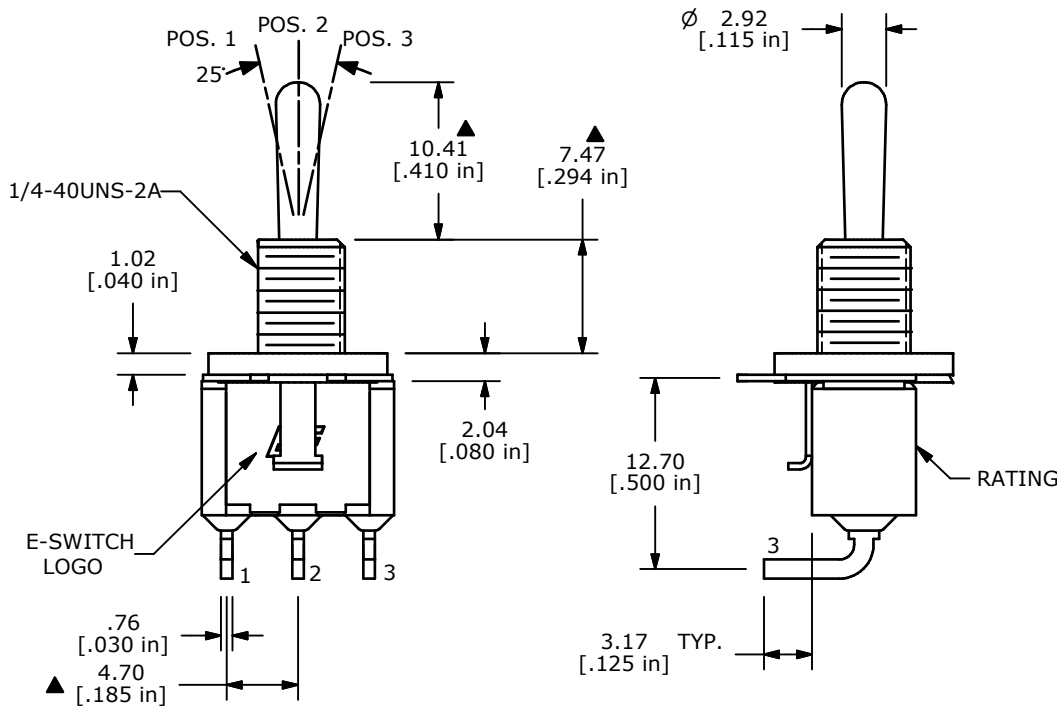
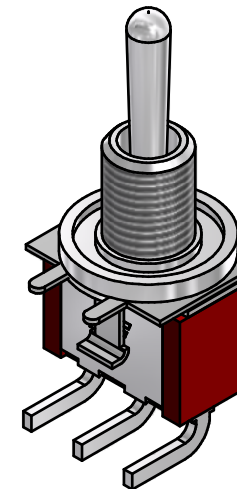
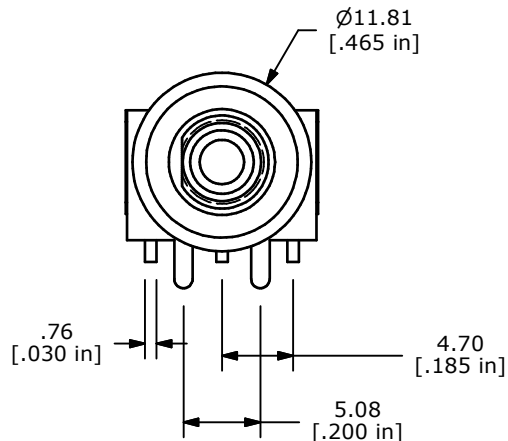
(ON) = MOMENTARY



PANEL MOUNTING OPTIONS

NOTE:

1. ALL DIMENSIONS IN MM [INCH]
2. GENERAL TOLERANCE: X.X=±0.4  
X.XX=±0.25
3. TERMINAL NUMBERS FOR REF ONLY
- ▲4. PLATING MATERIAL: SILVER
5. RATING: 5 AMPS W/RESISTIVE LOAD @ 120VAC OR 28 VDC  
2 AMPS W/RESISTIVE LOAD @ 250VAC
6. ELECTRIC LIFE: 40,000 make-and-break cycles at full load.
7. INSULATION RESISTANCE: 1,000 Mega-ohm min.
8. DIELECTRIC STRENGTH: 1,000 V RMS @sea level.
9. OPERATING TEMP.: -30°C to 85°C
10. ▲ DENOTES CRITICAL PARAMETER.
11. 2002/95/EC (ROHS) COMPLIANT
12. HARWARE TO BE SUPPLIED IN BULK:
  - QTY-2 T100000 - HEX NUT
  - QTY-1 T100002 - LOCK RING
  - QTY-1 T100011 - LOCK WASHER
  - QTY-1 T100016 - O-RING



TITLE 100SP4T1B9M6QEH

A	21163	RELEASED FOR PRODUCTION	6/26/13	EBP
REV	PCR NO	DESCRIPTION	DATE	BY

THE INFORMATION CONTAINED IN THIS DOCUMENT IS PROPRIETARY TO E-SWITCH AND IS NOT TO BE COPIED OR TRANSFERRED

SCALE	DATE	DR	DWG	REV
	6/26/2013	EBP	ST112056	A