

MTR SERIES POWER DISTRIBUTION MODULE

2-60 A • MINI® & JCASE® Fuse • 4 Position • Sealed



Description

The MTR Series (2+2) Power Distribution Fuse Holder accommodates two MINI® fuses and two JCASE® fuses. The use of these fuse types provides an amperage range of 2-60A in a compact package. The four fuses are bussed internally to the main input power stud. This allows the user to reduce wiring by making one input connection to power four fuse circuits.

The MTR (2+2) PDM is a sealed module enabling it to be used in heavy duty environments. TPAs are included to provide secondary locking of each wire terminal.

Features and Benefits

- Compact holder houses two JCASE® cartridge fuses and two MINI® bladed fuses
- Holder is gasket-sealed to protect fuses from moisture and contamination
- Fuses are internally bussed to a single main power stud – one input powers four fuse circuits

Web Resources

Download 2D print and technical resources at:
littelfuse.com/mtr

Ordering Information

| PART NUMBER | VOLTAGE | AMPERAGE | FUSE TYPE | POSITIONS | INPUT HARDWARE | | MOUNTING HARDWARE | | NOTES |
|--------------|---------|----------|-----------------|-----------|---|--------|-------------------|--------|--|
| | | | | | SIZE | TORQUE | SIZE | TORQUE | |
| BPDMA104HXF1 | 32 | 2-60 | MINI® JCASE® | 4 | M6x1.0 Bolt & Lock Washer (sold separately) | 6-8 Nm | – | 6-8 Nm | Complete Assembly Base, cover & gasket shipped assembled TPAs shipped bulk |

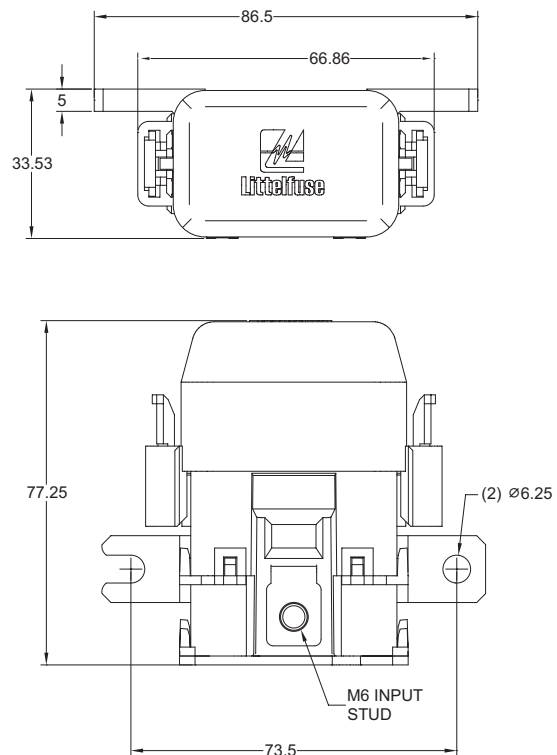
Specifications Overview

| | |
|----------------------------|---|
| Max Voltage: | 32 Vdc |
| Max Input Current: | 2-60 A |
| Input Hardware: | M6x1.0 Bolt & Washer (sold separately) |
| Input Torque: | 6-8 Nm |
| Mounting Torque: | 6-8 Nm |
| Operating Temp: | -40°C to +85°C |
| Ingress Protection: | IP67 |
| Material: | Body & Cover: UL94-V0 Stud: Zinc-Plated Steel Bus Bar: In-Plated Copper Gasket: Silicone |

Mating Terminals & Seals:

JCASE®: Delphi Ducon 6.3 Sealed Male
 MINI®: Delphi Metri-Pack 280 Sealed Female

Dimensions in millimeters



Visit Littelfuse.com for the most up-to-date product information. Littelfuse reserves the right to make product changes, without notice. Material in this document is as accurate as known at the time of publication.