

NEW

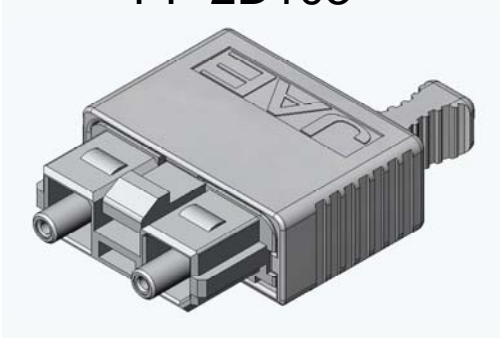


PF/CF Series
Push-Pull, Easy Disconnection type

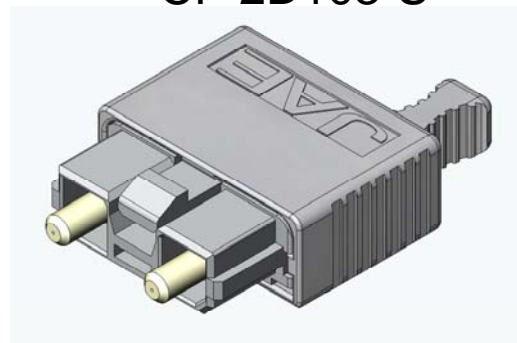
CONNECTOR
 MB-0130-2
 July 2006

RoHS Compliant

PF-2D103

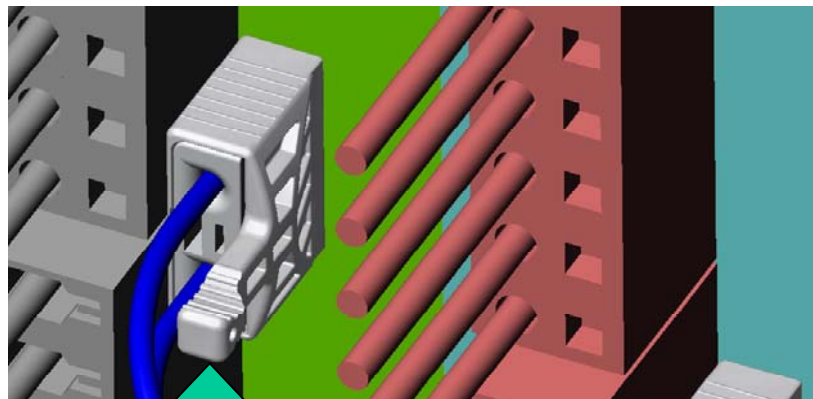


CF-2D103-S



Outline

The new series enables you to operate mating/ unmating easily, which is achieved by push-pull lock mechanism by just using the handle portion. It is quite suitable for space-limited application to save the handling space for the connectors.



Handle portion

Features

- JIS C 5976 (IEC 61754-16) F07 compatible product
- Push-pull lock mechanism; mating/ unmating is completed by just pushing/ pulling the handle portion
- Easy, one-hand operation of mating/ unmating by using the handle portion
- Available in plastic fibers(2 mm dia. APF: 980/1000) and plastic clad fibers(2mm dia. PCF cord, HPCF: 200/230)

General Specifications

- Insertion loss: 2.0 dB max. (when mated with F07 type relay adaptor)---Note1,2
- Operating temperature: -20 Deg. C to +70 Deg. C
- Durability: 500 times

Note1 Not including fiber transmission loss

Note2 Value for the cables assembled by JAE

Materials and Finishes

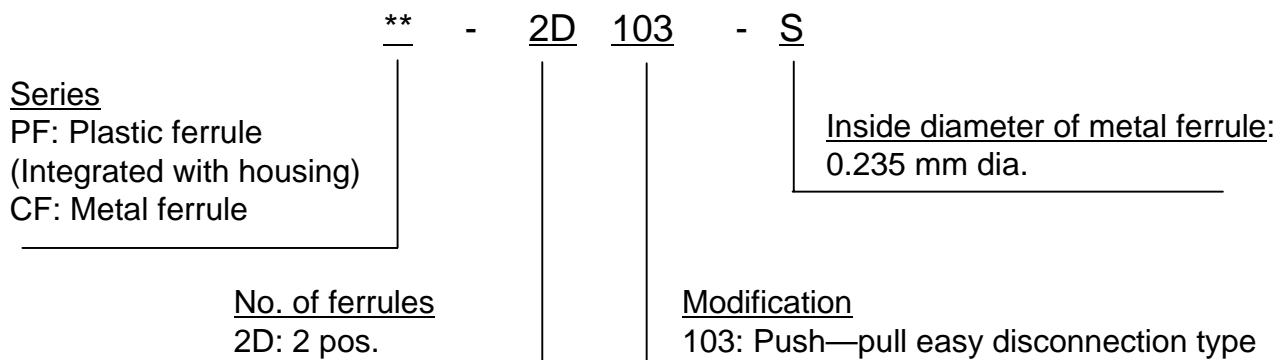
Plastic fiber (APF) type
Part Number: PF-2D103

Components	Materials
Slide lever	Glass filled PBT
Housing	Glass filled PBT
Clamp	Glass filled PBT
Protection tube(to protect end face of ferrule)	Silicon rubber

Plastic clad fiber (PCF) type
Part Number: CF-2D103-S

Components	Materials
Slide lever	Glass filled PBT
Housing	Glass filled PBT
Stopper	Glass filled PBT
Ferrule	Copper alloy/ Ni plating
Spring	Stainless steel
Protection tube(to protect end face of ferrule)	Silicon rubber

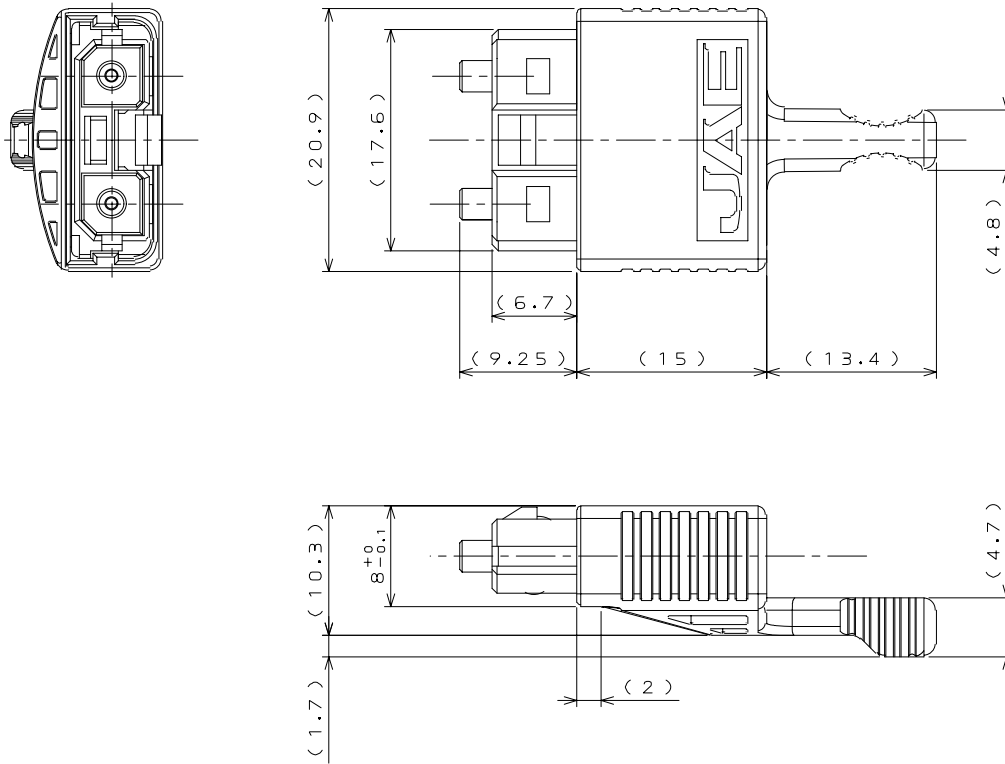
Ordering Information



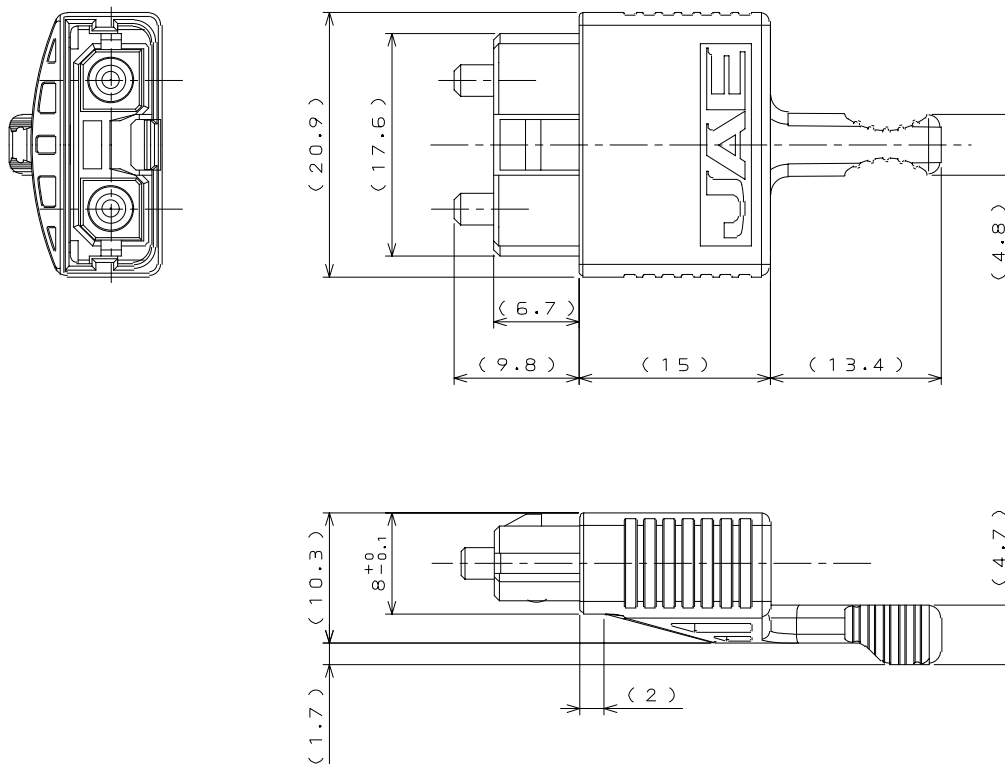
Note 3 PF(Plastic Ferrule) type is applicable to plastic fiber(APF) only.

Outer Dimensions

Part Number: PF-2D103



Part Number: CF-2D103-S



Technical References

*Please contact us concerning products other than the following.

*Please consult us concerning length and fiber type of cable assembly products.

Part Number	Drawing No.	Specification
PF-2D103	SJ101660	JACS-70019
CF-2D103-S	SJ101661	JACS-70020

Others

*Relay adaptors are also available

Part Number	Part Number of relay adaptor
PF-2D103	CF-AD1-P
CF-2D103-S	CF-AD1

Japan Aviation Electronics Industry, Limited

Product Marketing Division
 Aobadai Building, 3-1-19, Aobadai, Meguro-ku, Tokyo 153-8539
 Phone: +81-3-3780-2787 FAX: +81-3-3780-2946

Notice: Products shown in this leaflet are made for the applications listed below. However, if the above-mentioned products are to be used in aerospace devices, marine cable-connection devices, atomic power control systems, medical equipment for life-support systems, or any other specific application requiring extremely high reliability, please contact JAE for further information.

Recommended applications: Computers, Office machines, Measuring devices, Telecommunication devices (Terminals, Mobile devices), AV devices, Household applications, FA devices, etc.