



ES9016K2M Ultra 32-bit Stereo Mobile Audio DAC Product Brief

The **ES9016K2M SABRE³² Ultra DAC** is a high-performance 32-bit, 2-channel audio D/A converter targeted for portable high-fidelity audio applications such as mobile phones and digital music players, consumer applications such as Blu-ray players, audio pre-amplifiers and A/V receivers, as well as professional applications such as recording systems, mixer consoles and digital audio workstations.

Using the critically acclaimed ESS patented 32-bit Hyperstream™ DAC architecture and Time Domain Jitter Eliminator, the **ES9016K2M SABRE³² Ultra DAC** delivers a DNR of up to 122dB and THD+N of -110dB, a performance level that will satisfy the most demanding audio enthusiasts.

The **ES9016K2M SABRE³² Ultra DAC's** 32-bit Hyperstream™ architecture can handle up to 32-bit, 384kHz PCM data via I²S, DSD-11.2MHz data as well as mono mode for highest performance applications. Both synchronous and ASRC (asynchronous sample rate conversion) modes are supported.

The **ES9016K2M SABRE Ultra DAC** is powered by a +1.8V to +3.3V supply for both the digital and analog sections, with internal regulators generating the core supply. The DAC comes in a 28-QFN package, supports 1.8V logic levels and consumes less than 40mW in normal operating mode (< 1mW in standby mode)

The **SABRE Ultra DAC** sets a new standard for high quality audio performance, **SABRE SOUND™**, in a cost effective, easy-to-use form factor for today's most demanding digital audio applications.

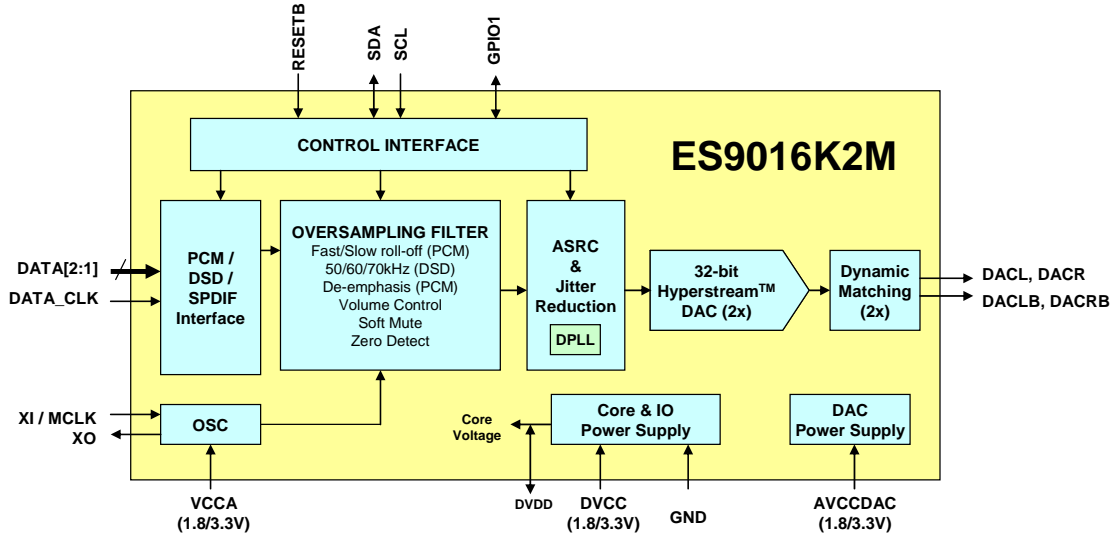
| FEATURE | DESCRIPTION |
|---|--|
| Patented 32-bit Hyperstream™ DAC <ul style="list-style-type: none"> +122dB DNR -110dB THD+N | <ul style="list-style-type: none"> 32-bit audio DAC powered by Sabre³² DAC architecture with unmatched dynamic range and ultra low distortion Supports both synchronous and ASRC (asynchronous sample rate converter) modes |
| Patented Time Domain Jitter Eliminator | <ul style="list-style-type: none"> Unmatched audio clarity free from input clock jitter |
| 64-bit accumulator and 32-bit processing | <ul style="list-style-type: none"> Distortion free signal processing |
| Integrated DSP Functions | <ul style="list-style-type: none"> Click-free soft mute and volume control Programmable Zero detect De-emphasis for 32kHz, 44.1kHz, and 48kHz sampling |
| Customizable output configuration | <ul style="list-style-type: none"> Mono or stereo output in current or voltage mode based on performance criterion |
| I ² C control | <ul style="list-style-type: none"> Allows software control of DAC features |
| 28-QFN (5mm x 5mm) package | <ul style="list-style-type: none"> Minimizes PCB footprint |
| < 40mW operating, < 1mW standby power | <ul style="list-style-type: none"> Maximizes battery life |
| 1.8 to 3.3V analog & digital power supplies | <ul style="list-style-type: none"> Reduces power and simplifies power supply design |
| 1.8V digital logic supported | <ul style="list-style-type: none"> Connects to Application Processor without level shifter |
| Versatile digital input | <ul style="list-style-type: none"> Supports SPDIF, PCM (I²S, LJ 16-32-bit) or DSD input |
| Customizable filter characteristics (revision V only) | <ul style="list-style-type: none"> User programmable filter allowing custom roll-off response Bypassable oversampling filter |

APPLICATIONS

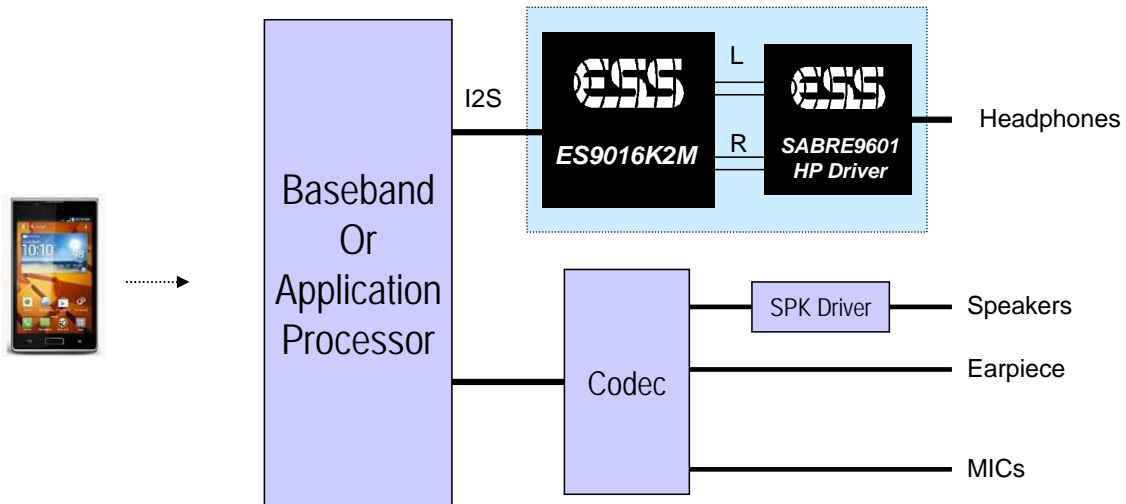
- Mobile phones / Tablets / Digital music players / Portable multimedia players
- Blu-ray / SACD / DVD-Audio player
- Audio preamplifier and A/V receiver
- Professional audio recording systems / Mixing consoles / Digital audio workstation



FUNCTIONAL BLOCK DIAGRAM



TYPICAL MOBILE APPLICATION DIAGRAM



No part of this publication may be reproduced, stored in a retrieval system, transmitted, or translated in any form or by any means, electronic, mechanical, manual, optical, or otherwise, without the prior written permission of ESS Technology, Inc. ESS Technology, Inc. makes no representations or warranties regarding the content of this document. All specifications are subject to change without prior notice. ESS Technology, Inc. assumes no responsibility for any errors contained herein. U.S. patents pending.