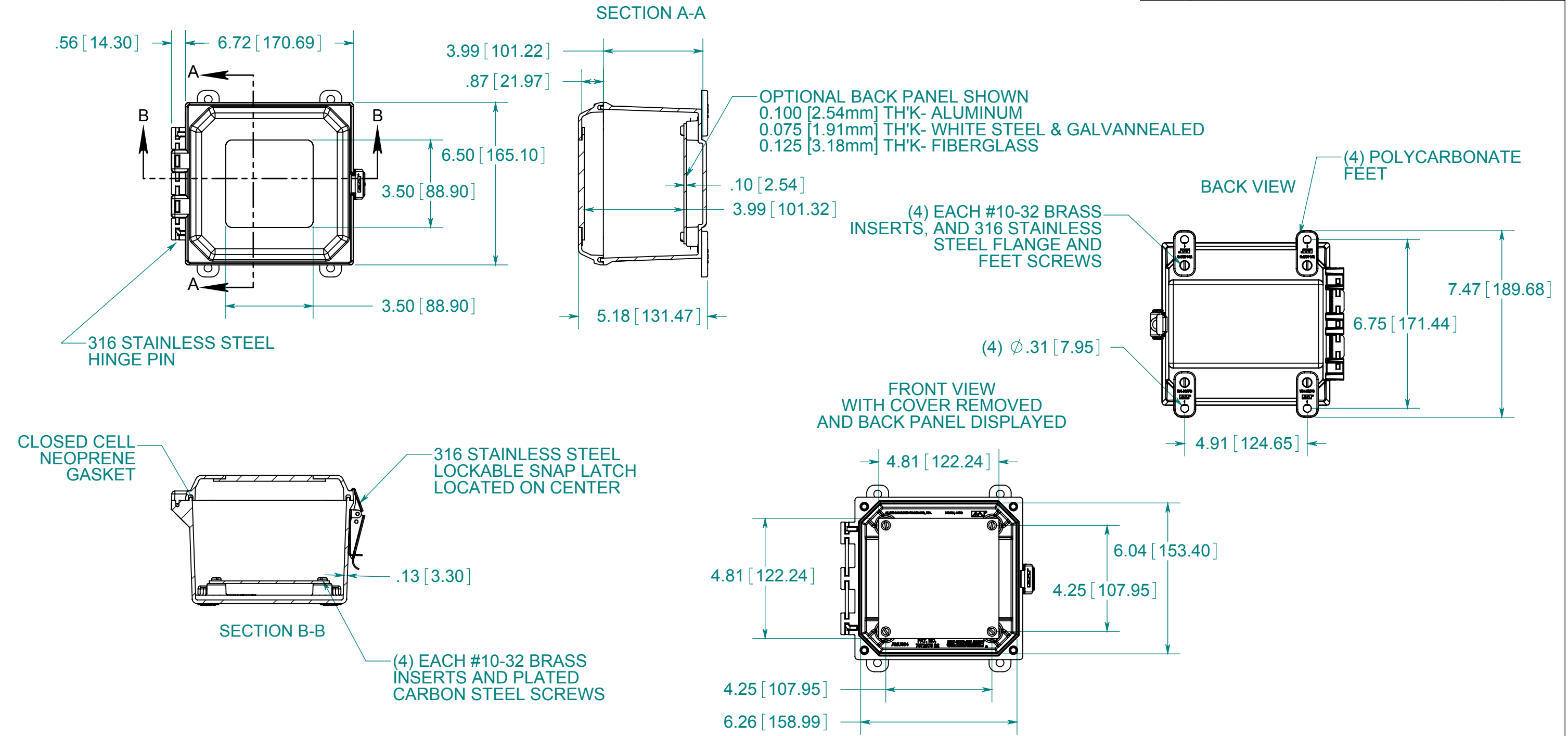
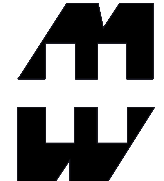


DATE	REV.	DESCRIPTION	DR	CK	REL



MATERIAL:
 BOX- COMPRESSION MOLDED FIBERGLASS REINFORCED POLYESTER
 COVER- COMPRESSION MOLDED FIBERGLASS REINFORCED POLYESTER
 CLEAR COVER AND WINDOWS- POLYCARBONATE



PART No. PJU664LW
 for more information visit
www.hammfg.com
 Data subject to change without notice
 Drawing Not to Scale