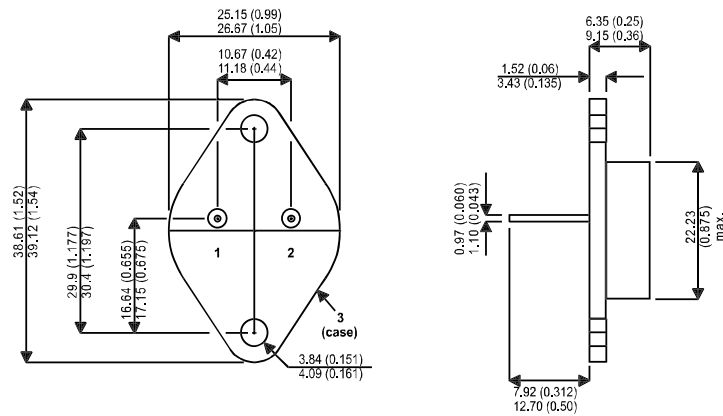


2N3919



Dimensions in mm (inches)



**Bipolar NPN Device in a
Hermetically sealed TO3
Metal Package.**

Bipolar NPN Device
 $V_{CE0} = 60V$
 $I_C = 10A$

TO3 (TO204AA)

PINOUTS

1- Base 2- Emitter Case-Collector

Parameter	Test Conditions	Min.	Typ.	Max.	Units
V_{CE0}^*				60	V
$I_{C(CONT)}$				10	A
h_{FE}	@ 2.0/2.0 (V_{CE} / I_C)	40		120	-
f_t			80M		Hz
P_D				15	W

* Maximum Working Voltage