

# Compact Slip Rings

## 1002010-100 Series Datasheet



### Description

Aeroflex Motion Control has developed a standard line of compact slip ring assemblies that can be used for the transmission of low level signals up to 2 amperes per circuit. These capsules feature gold alloy contacts, precision ball bearings, #26 AWG Teflon insulated lead wires, and are cast in a durable high tech plastic. Each circuit has redundant contacts that ride in V-grooved rings. This design provides the lowest electrical noise in its class. These smooth running units operate with a very minimal amount of torque and are an excellent choice for transmitting electrical signals through a rotating joint.

### Features

- Transfers power, analog, digital and video signals
- Up to 40 circuits
- Compact size
- Electrical Noise < 30 milliohm at max speed
- Speeds up to 250 rpm
- Gold on gold contacts
- Precision ball bearings
- RoHS Compliant
- Made in USA



### Typical Applications

- CCTV pan / tilt camera mounts
- Security cameras
- Robotic systems
- Medical equipment
- Electrical test equipment
- Manufacturing equipment

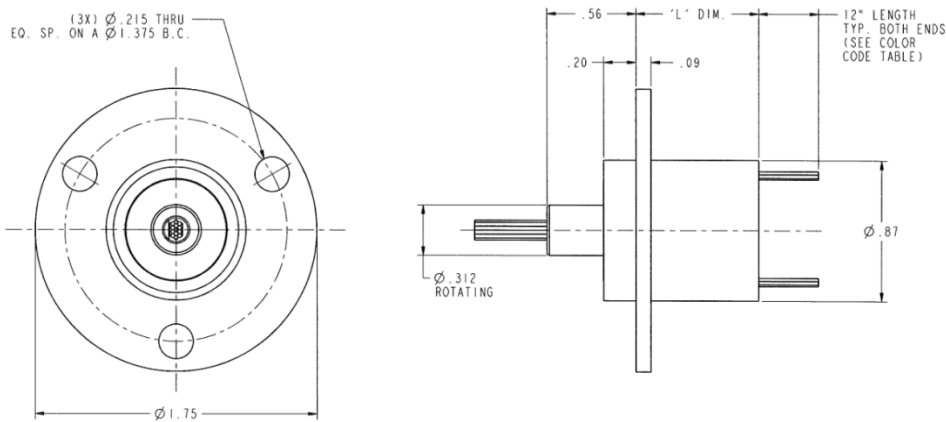
# Compact Slip Rings

## 1002010-100 Series Datasheet



### Specifications

Number of Circuits	6, 12, 18, 24, 36 or 40
Current Rating	2 Amps per ring maximum
Voltage	Micro-volts to 210 VDC / 240 VAC
Dielectric Strength	500 VRMS, all combinations
Insulation Resistance	1000 megaohms min. @ 250 VDC
Electrical Noise	30 milliohms maximum
Lead Wire	#26 AWG, Teflon insulated, stranded conductor
Lead Wire Length	12"
Operating Speed	0 to 250 rpm
Contacts	Gold on Gold
Rotation	Bi-directional
Temperature Range	-40°C to +80°C



### Ordering Information

Part Number	"L" DIM	RING QTY
1002010-106	0.52	6
1002010-112	0.76	12
1002010-118	1.00	18
1002010-124	1.24	24
1002010-136	1.72	36
1002010-140	1.80	40

### Aeroflex Motion Control

3030 Horseshoe Drive South, Naples, FL 34104  
 Tel: (239) 263-3102  
 Fax: (239) 261-3110

Aeroflex reserves the right to make changes to any products and services herein at any time without notice. Consult Aeroflex or an authorized sales representative to verify that the information in this data sheet is current before using this product. Aeroflex does not assume any responsibility or liability arising out of the application or use of any product or service described herein, except as expressly agreed to in writing by Aeroflex; nor does the purchase, lease or use of a product or service from Aeroflex convey a license under any patent rights, copyrights, trademark rights, or any other of the intellectual rights of Aeroflex or of third parties.

Copyright 2013 Aeroflex All rights reserved Rev B