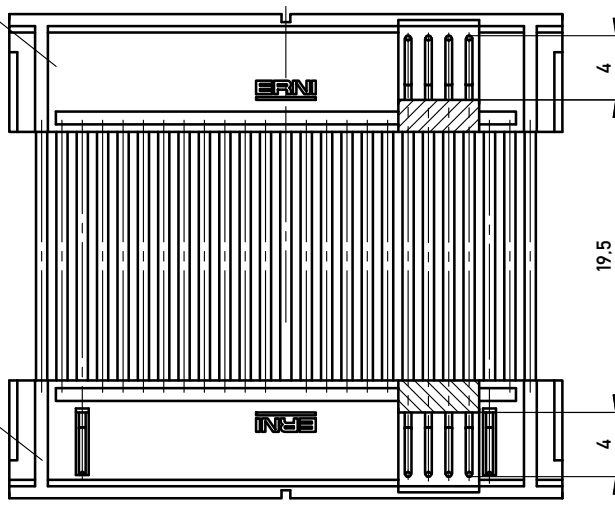
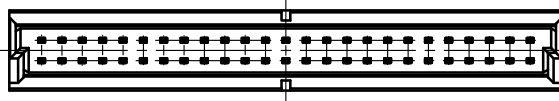
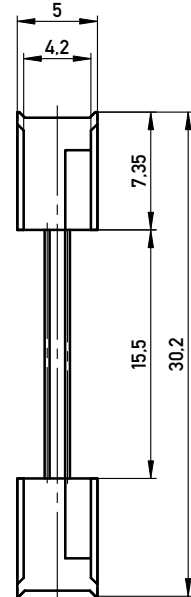


ohne Verriegelung
without interlocking

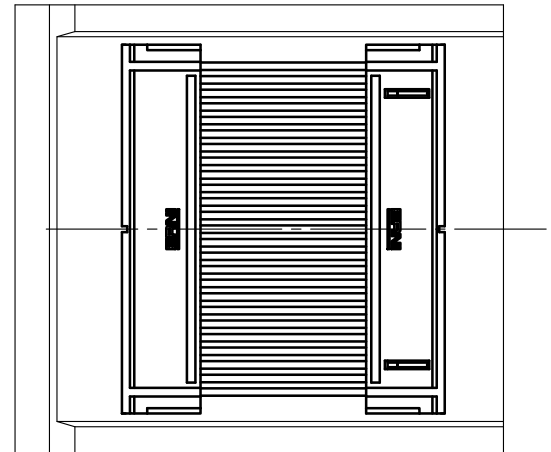
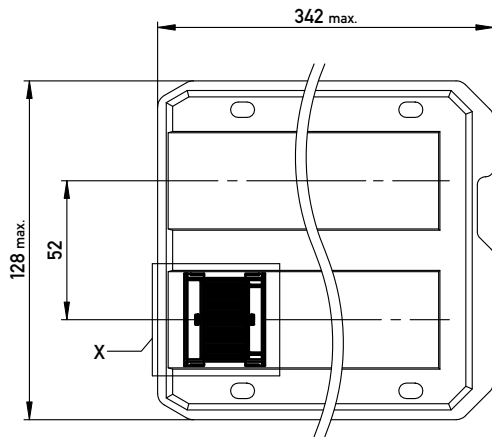


mit Verriegelung
with interlocking



Verpackt in Tray -tray packaging
Verpackungseinheit 20 Stück -packaging unit 20

Einzelheit X (M 2:1)
detail X



Adapterstück für board-to-board Abstand von 32mm (beidseitig verbaut mit Federleiste: 154807, Low Profile)
Adapter for board-to-board height 32mm (in combination with two female connectors: 154807, low profile)

Information:	Tolerances	 All Dimensions in mm	Scale	3:1
	All rights reserved. Only for Information. To ensure that this is the latest version of this drawing, please contact one of the ERNI companies before using.		Subject to modification without prior notice. Drawing will not be updated.	Designation 1,27 DRC Adapterstück BTB 32mm <i>50-polig</i>
E01	18.06.2008	 www.ERNI.com	354313	
Index	Date		Class	DRCBTB

Copyright by ERNI GmbH
Proprietary notice pursuant to ISO 16016 to be observed.