

KR Electronics

General Description

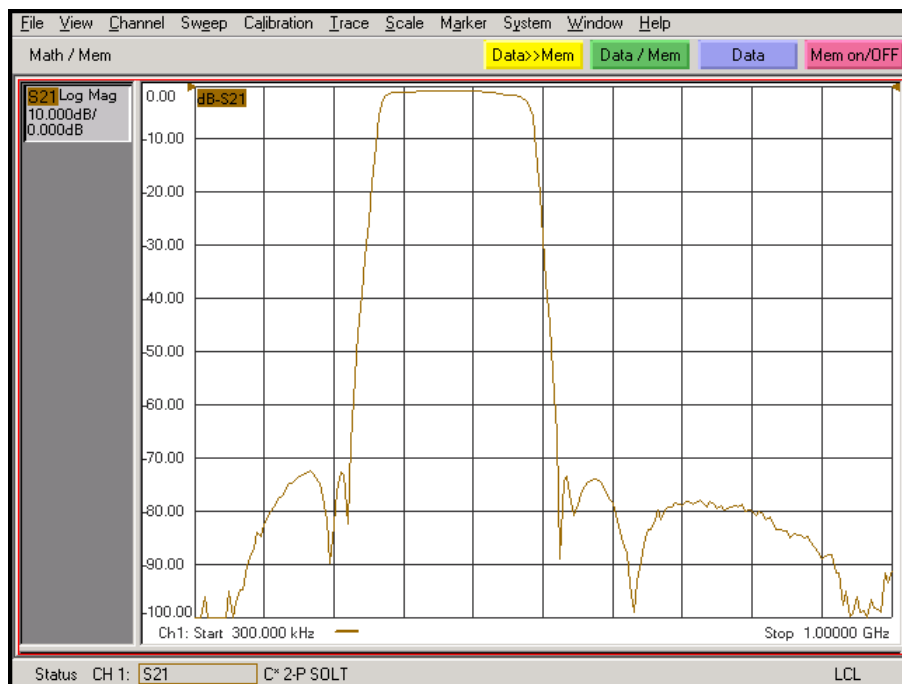
KR Electronics part number 2975 is a 375 MHz elliptic type bandpass filter. The filter has a minimum 3 dB bandwidth of 200 MHz. Other center frequencies and bandwidths available. Please consult the factory.

Features

- 375 MHz Center Frequency
- 200 MHz min 3 dB Bandwidth
- Sharp Transition to Stopband
- 50 Ω Source and Load
- Surface Mount
- Also available with SMA connectors

Typical Performance

Overall Response (10 dB/div)

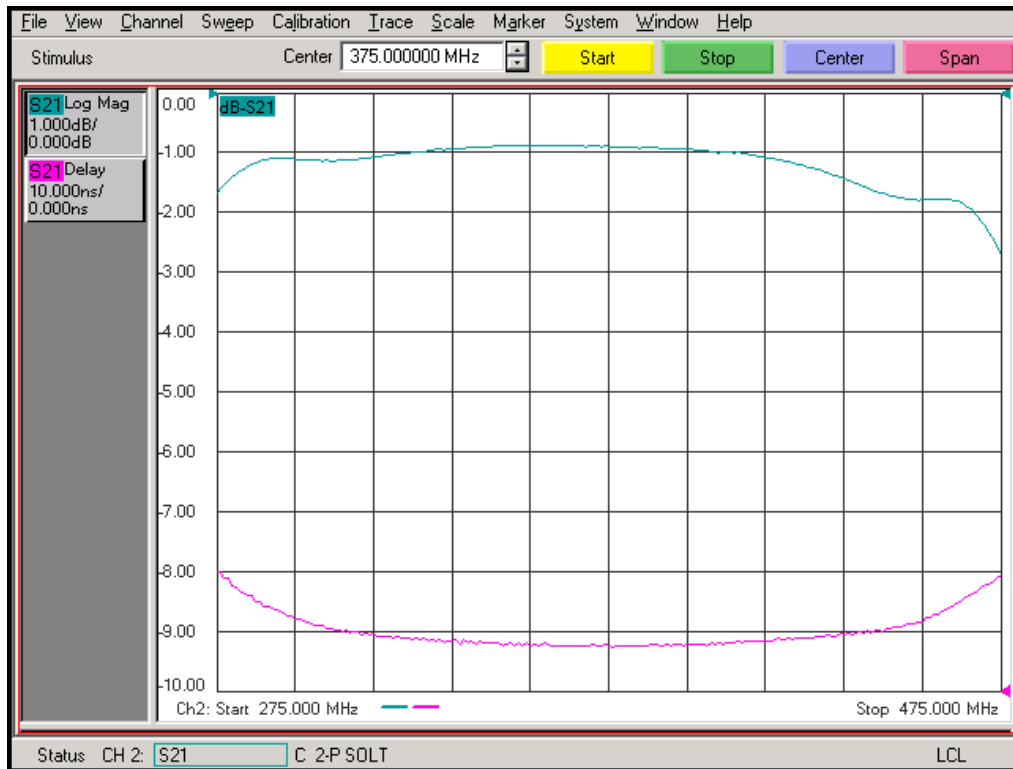


KR Electronics, Inc.
91 Avenel Street
Avenel, NJ 07001

Web www.krfilters.com
Email sales@krfilters.com
Phone (732) 636-1900
Fax (732) 636-1982

Typical Performance

Passband Amplitude & Group Delay (1 dB/div & 10 nsec/div)

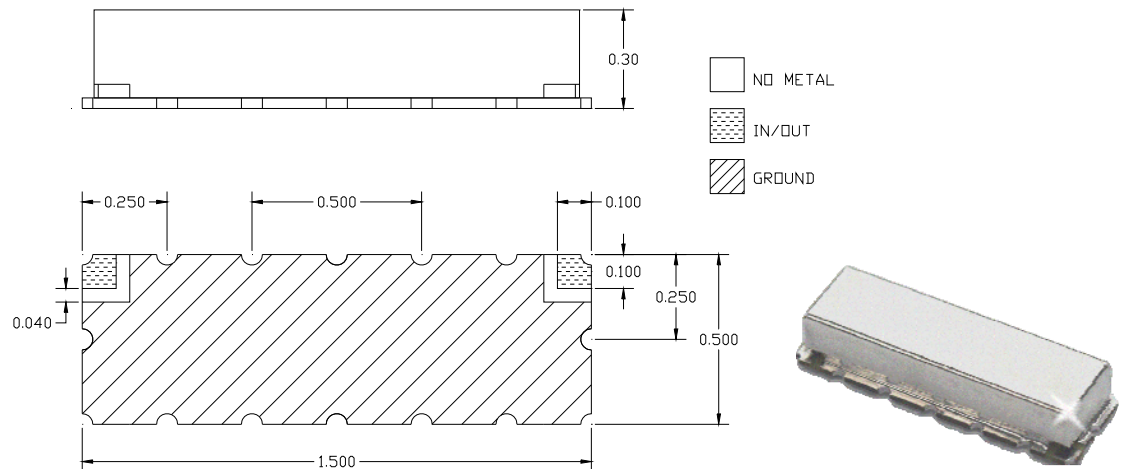


KR Electronics 2975

Specifications

Parameter	Specification
Filter type	Bandpass
Center Frequency	375 MHz
Insertion Loss	< 1.5 dB
3 dB Bandwidth	200 MHz min
65 dB Bandwidth	300 MHz max
Source and Load	50 Ω

Physical Dimensions



Notes:

1. Surface mount package, metal cover
2. Dimensions in inches
3. Max reflow temperature 209° C for 10 sec
4. If boards are cleaned after installation units must be completely dried
5. Also available in metal case with SMA connectors

KR Electronics, Inc.
91 Avenel Street
Avenel, NJ 07001

Web www.krfilters.com
Email sales@krfilters.com
Phone (732) 636-1900
Fax (732) 636-1982