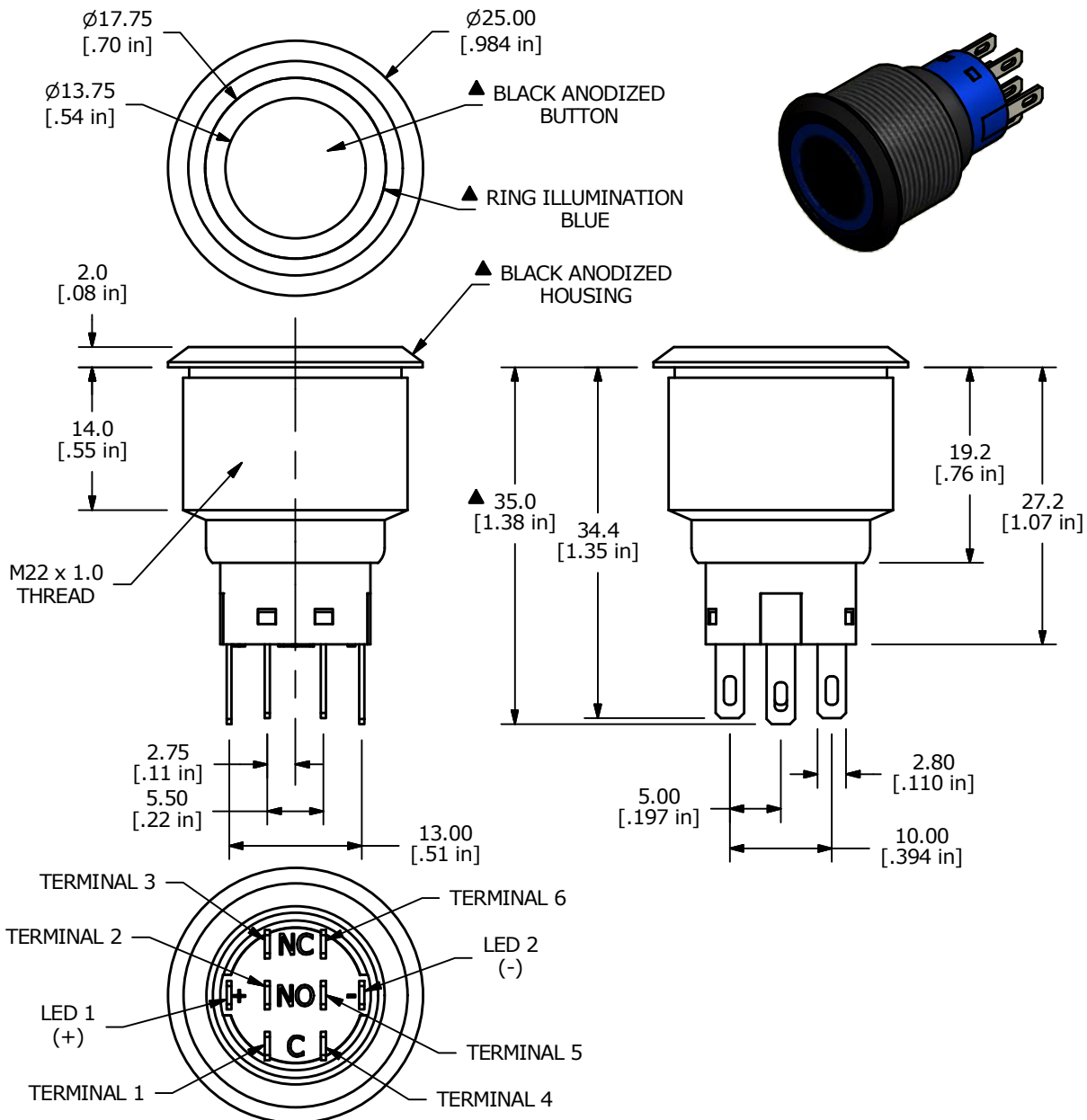


- NOTE:**
- ALL DIMENSIONS IN MM [INCH]
  - GENERAL TOLERANCE: X.X = ±0.4  
X.XX = ±0.25
  - TERMINAL NUMBERS FOR REF ONLY
  - ▲ CONTACT MATERIAL: SILVER
  - RATING: 3A 250 VAC cUL
  - ELECTRIC LIFE: 50,000 MAKE-AND-BREAK CYCLES AT FULL LOAD.
  - MECHANICAL LIFE: 1,000,000 CYCLES.
  - INSULATION RESISTANCE: 1,000 MΩ @ 500VDC MIN.
  - DIELECTRIC STRENGTH: 2,000 VAC MIN. FOR 1 MINUTE
  - CONTACT RESISTANCE: 50mΩ MAX. @ 1A 12VDC
  - OPERATING TEMP.: -20°C to 55°C
  - ▲ DENOTES CRITICAL PARAMETER.
  - LAMP VOLTAGE: 20mA 3V
  - TRAVEL: 3.2mm
  - ACTUATION FORCE: 3.5 ± 1.0 N
  - MOUNTING NUT TORQUE: 5-14 Nm
  - INGRESS PROTECTION: IP67
  - HARDWARE SUPPLIED: O-RING AND HEXNUT



B	22130	Update housing dim. to 1 place decimal	1/22/16	MW
A	21928	New Release	7/24/15	rc
REV	PCR NO	DESCRIPTION	DATE	BY

TITLE ULV7F2H11341				
SCALE 1.5 : 1	DATE 7/24/2015	DR rc	DWG T970005	REV B

THE INFORMATION CONTAINED IN THIS DOCUMENT IS PROPRIETARY TO E-SWITCH AND IS NOT TO BE COPIED OR TRANSFERRED