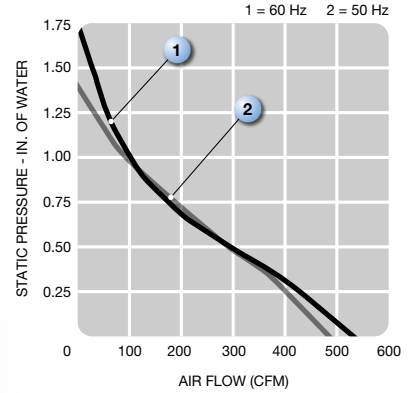
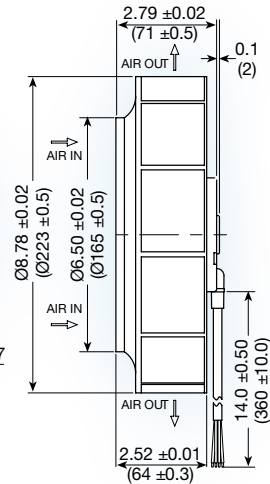
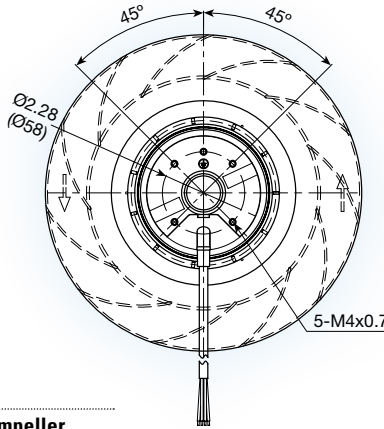


UF220APA series



(223 dia. x 71 mm)
8.78 dia. x 2.79 inches

- Features:** backward curved impeller

- Operating voltage:** 115 or 230 VAC

- Operating temp.:** -40° ~ 50°C

- Construction:** aluminum die cast motor base; UL94V-0 reinforced nylon impeller

- Bearing option:** ball bearing

- Motor:** permanent split capacitor required capacitor included

- Air Flow:** centrifugal

- Connection:** 22 AWG lead wires

- Protection:** thermal

Model No.	Rated Voltage V	Freq. HZ	Input Power W	Rated Cur. A	Locked Cur. A	Speed RPM	Air Volume		Max. Static Pressure (H ₂ O)		Sound Noise dba	Weight kg
							M ³ /Min.	CFM	MM	INCH		
UF220APA12-H2C2A	115	50	90	0.63	0.88	2,500	14	500	35	1.4	65	1.5
	115	60	117	0.80	0.93	2,650	15	530	38	1.7	70	1.5
UF220APA23-H2C2A	230	50	90	0.35	0.47	2,500	14	500	35	1.4	65	1.5
	230	60	117	0.39	0.49	2,650	15	530	38	1.7	70	1.5

