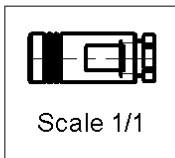
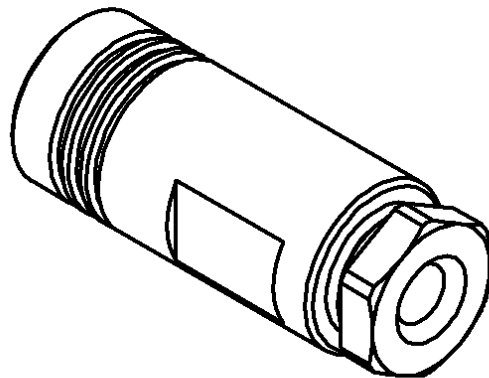
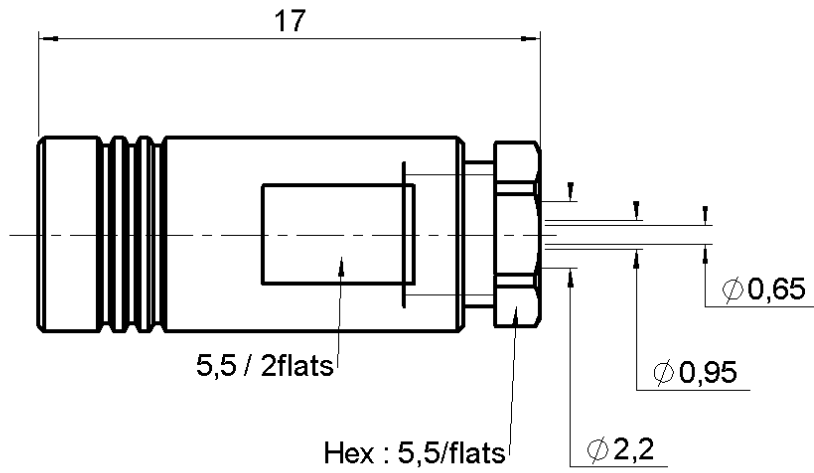


STRAIGHT PLUG CLAMP TYPE

R114.003.133

CABLE 2/50 S

Series : SMB



All dimensions are in mm.



COMPONENTS	MATERIALS	PLATINGS (μm)
BODY	BRASS	GOLD 0.2 OVER NICKEL 2
CENTER CONTACT	BERYLLIUM COPPER	GOLD 1.3 OVER NICKEL 2
OUTER CONTACT	BERYLLIUM COPPER	GOLD 0.5 OVER NICKEL 2
INSULATOR	PTFE	
GASKET	-	
OTHERS PARTS	BRASS	GOLD 0.2 OVER NICKEL 2
-	-	-
-	-	-

Issue : 0039 B

In the effort to improve our products, we reserve the right to make changes judged to be necessary.



STRAIGHT PLUG CLAMP TYPE

R114.003.133

CABLE 2/50 S

Series : SMB

PACKAGING

Standard	Unit	Other
100	'W' option	Contact us

SPECIFICATION

CABLE ASSEMBLY

ELECTRICAL CHARACTERISTICS

Stripping	a	b	c	d	e	f
mm	2.00	1.00	4.00	3.20	2.00	0.00

Impedance		50	Ω
Frequency		0-4	GHz
VSWR	1.30 +	0.040	x F(GHz) Maxi
Insertion loss		0.25	\sqrt{F} (GHz) dB Maxi
RF leakage	- (57	- F(GHz)) dB mini
Voltage rating		250	Veff Maxi
Dielectric withstanding voltage		750	Veff mini
Insulation resistance		1000	M Ω mini

Assembly instruction :

Recommended cable(s)
 RG 178
 RG 196
 RG 178 LC
 KX 21

MECHANICAL CHARACTERISTICS

Cable retention
 - pull off **58** N mini
 - torque **3.9** N.cm

Center contact retention			
Axial force – Mating end		10	N mini
Axial force – Opposite end		10	N mini
Torque		NA	N.cm mini

TOOLING

Part Number	Description	Hexagon
.	.	.

Recommended torque			
Mating		NA	N.cm
Panel nut		NA	N.cm
Clamp nut		70	N.cm
A/F clamp nut		5.500	mm

OTHERS CHARACTERISTICS

Mating life		500	Cycles mini
Weight		3.000	g

ENVIRONMENTAL

Operating temperature		-65/+165	$^{\circ}$ C
Hermetic seal		NA	Atm.cm3/s
Panel leakage		NA	

Issue : 0039 B

In the effort to improve our products, we reserve the right to make changes judged to be necessary.



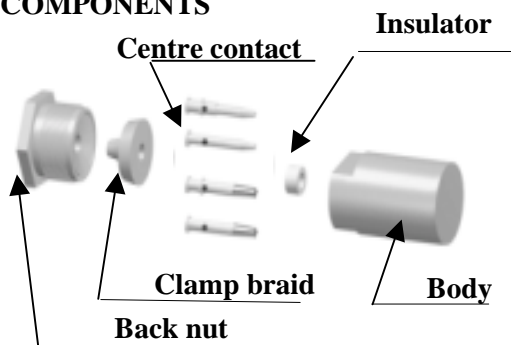
STRAIGHT PLUG CLAMP TYPE

R114.003.133

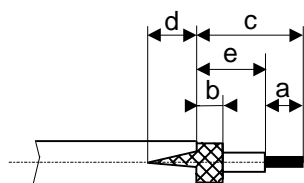
CABLE 2/50 S

Series : SMB

COMPONENTS

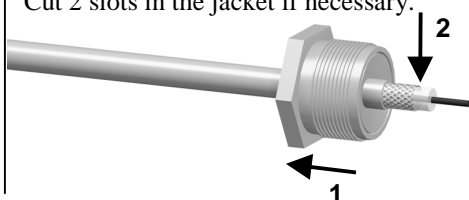


STRIPPING DIMENSIONS



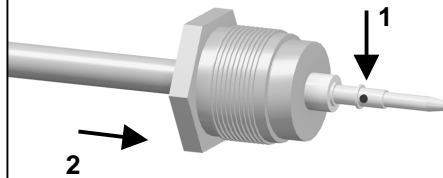
1

Slide the back nut onto the cable.
Strip the cable.
Cut 2 slots in the jacket if necessary.



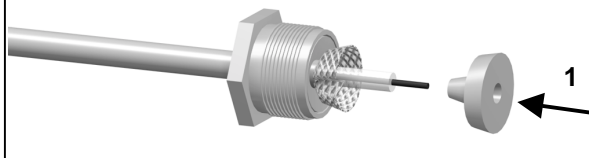
4

Solder the centre contact onto the inner conductor.
Slide the back nut over the cable assembly.



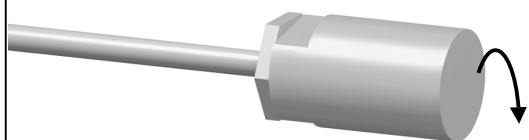
2

Slide the clamp braid sleeve between the cable dielectric and the braid.



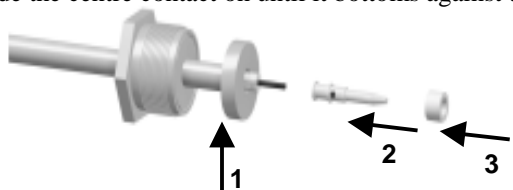
5

Screw sub-assembly into the connector body with the adapted wrench.



3

Cut the braid flush with the clamp braid sleeve.
Slide the spacer onto the cable.
Slide the centre contact on until it bottoms against the cable dielectric.



Issue : 0039 B

In the effort to improve our products, we reserve the right to make changes judged to be necessary.

